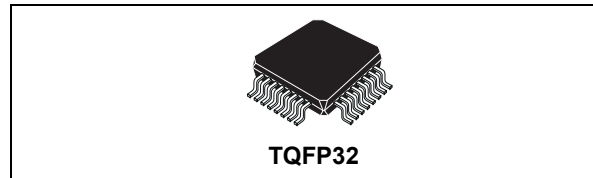


Car radio audio processor

Features

- Input Multiplexer
 - QD: quasi-differential stereo inputs
 - FD: full-differential stereo inputs
 - Mono: Mono input
 - SE1: stereo single-ended input
 - SE2: stereo single-ended input
 - In-Gain 0 to 15dB, 1dB step
 - internal offset-cancellation (AutoZero)
- IN/OUT control
 - Selectable full-differential stereo inputs or Bass output
- Loudness
 - 2nd order frequency response
 - programmable center frequency (400Hz/800Hz/2400Hz)
 - 15dB with 1dB steps
 - soft-step control with programmable blend times
 - selectable low & high frequency boost
- Volume
 - +15dB to -79dB with 1dB step resolution
 - soft-step control with programmable blend times
 - multi-step control
- Bass
 - 2nd order frequency response
 - center frequency programmable in 4 steps (60Hz/80Hz/100Hz/200Hz)
 - Q programmable 1.0/1.25/1.5/2.0
 - DC gain programmable
 - -15 to 15dB with 1dB resolution
 - soft-step control with programmable blend times
- Treble
 - 2nd order frequency response



- center frequency programmable in 4 steps (10KHz/12.5KHz/15KHz/17.5KHz)
- -15 to 15dB with 1dB resolution
- High pass
 - 2nd order frequency response
 - center frequency programmable in 3 steps (80Hz/120Hz/160Hz)
- Speaker
 - independent soft step speaker controls, +15dB to -79dB with 1dB steps
 - Independent programmable mix input with 50% mixing ratio for front speakers
 - direct mute
 - multi-step control
- Mute Functions
 - digitally controlled SoftMute with 3 programmable mute-times (0.48ms/0.96ms/123ms)

Description

The TDA7417 is an high performance signal processor specifically designed for car radio applications with fully integrated audio filters.

The digital control allows a full programming of the audioprocessor in a wide range of filter characteristics.

By using BICMOS-process low distortion and low noise are obtained.

Table 1. Device summary

Order codes	Package	Packing
TDA7417	TQFP32	Tray
TDA7417TR	TQFP32	Tape & reel

Contents

- 1 Block diagram 6**
- 2 Pins description 7**
 - 2.1 Pins description 7
- 3 Electrical specifications 9**
 - 3.1 Thermal data 9
 - 3.2 Absolute maximum ratings 9
 - 3.3 Electrical characteristics 9
- 4 Description of the audioprocessor 13**
 - 4.1 Input stages 13
 - 4.2 AutoZero 13
 - 4.3 Loudness 14
 - 4.3.1 Attenuation 14
 - 4.3.2 Peak Frequency 14
 - 4.3.3 Low & high frequency boost 15
 - 4.3.4 Flat Mode 15
 - 4.4 SoftMute 15
 - 4.5 Multistep and Softstep Volume 16
 - 4.6 Bass 17
 - 4.6.1 Attenuation 17
 - 4.6.2 Center Frequency 17
 - 4.6.3 Quality Factors 18
 - 4.6.4 DC Mode 18
 - 4.7 Treble 19
 - 4.7.1 Attenuation 19
 - 4.7.2 Center Frequency 19
 - 4.8 Highpass filter 20
 - 4.9 Output Selector and Mixing 20
 - 4.10 IN/OUT control 21
 - 4.11 Audioprocessor Testing 21
 - 4.12 Test circuit 22

5	I²C Bus specification	23
5.1	Interface Protocol	23
5.1.1	Receive Mode	23
5.1.2	Transmission Mode	23
5.1.3	Reset Condition	23
6	Serial data assign	24
6.1	Sub-address	24
6.1.1	Main Source Selector (0)	25
6.1.2	Loudness (1)	26
6.1.3	Volume/Mix volume/Fader LF/RF/LR/RR/SWL/SWR (2,8-14)	27
6.1.4	Softmute(3)	27
6.1.5	Treble(4)	28
6.1.6	Bass(5)	28
6.1.7	Highpass/Bass Frequency Control(6)	29
6.1.8	Smoother /In/Out Control(7)	29
6.1.9	Fader Multistep Control(15)	30
6.1.10	Testing (16)	31
7	Package information	32
8	Revision history	33

List of tables

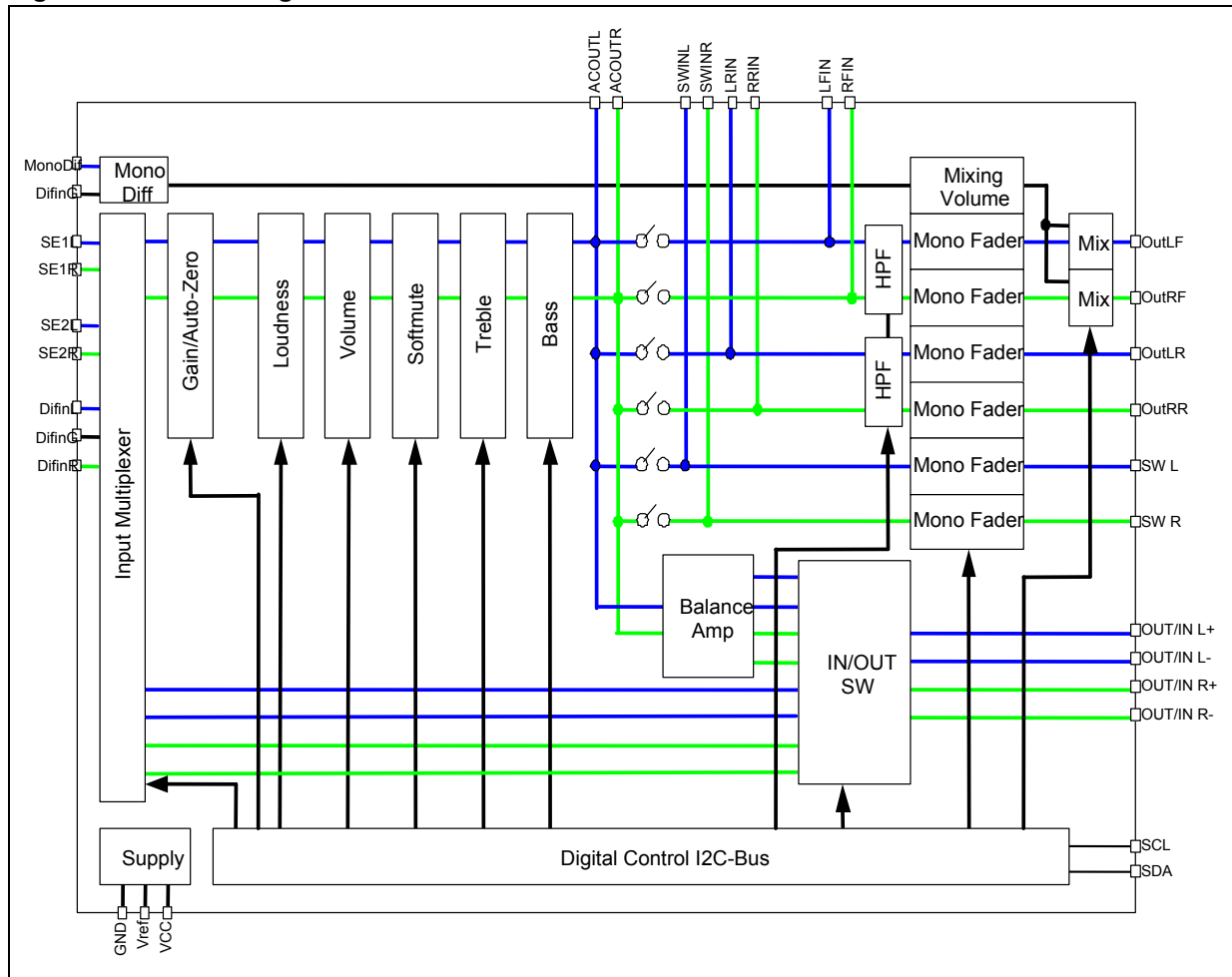
Table 1.	Device summary	1
Table 2.	Pins description	7
Table 3.	Thermal data	9
Table 4.	Absolute maximum ratings	9
Table 5.	Electrical characteristics	9
Table 6.	Registers of all subaddresses.	23
Table 7.	Sub-address	24
Table 8.	Main source selector (0)	25
Table 9.	Loudness (1)	26
Table 10.	Volume/Mix volume/Fader LF/RF/LR/RR/SWL/SWR (2,8-14)	27
Table 11.	Softmute(3)	27
Table 12.	Treble(4)	28
Table 13.	Bass(5)	28
Table 14.	Highpass/Bass Frequency Control(6)	29
Table 15.	Smoother /In/Out Control(7)	29
Table 16.	Fader Multistep Control(15)	30
Table 17.	Testing (16)	31
Table 18.	Document revision history	33

List of figures

Figure 1.	Block diagram	6
Figure 2.	Pins connection (Top view).	7
Figure 3.	Input stage	13
Figure 4.	Loudness Attenuation @ $f_p = 400\text{Hz}$	14
Figure 5.	Loudness Center frequencies @ Attn. = 15dB	14
Figure 6.	Loudness Attenuation, $f_c=2.4\text{kHz}$	15
Figure 7.	Softmute-Timing	15
Figure 8.	Soft Step and Multi Step timing	16
Figure 9.	Bass Control @ $f_c = 80\text{Hz}$, $Q = 1$	17
Figure 10.	Bass center Frequencies @ Gain = 14dB, $Q = 1$	17
Figure 11.	Bass Quality factors @ Gain = 14dB, $f_c = 80\text{Hz}$	18
Figure 12.	Bass normal and DC Mode @ Gain = 14dB, $f_c = 80\text{Hz}$	18
Figure 13.	Treble Control @ $f_c = 17.5\text{kHz}$	19
Figure 14.	Treble Center Frequencies @ Gain = 14dB	19
Figure 15.	Highpass Control	20
Figure 16.	Output Selector	20
Figure 17.	IN/OUT control	21
Figure 18.	Test circuit	22
Figure 19.	TQFP32 Mechanical Data & Package Dimensions	32

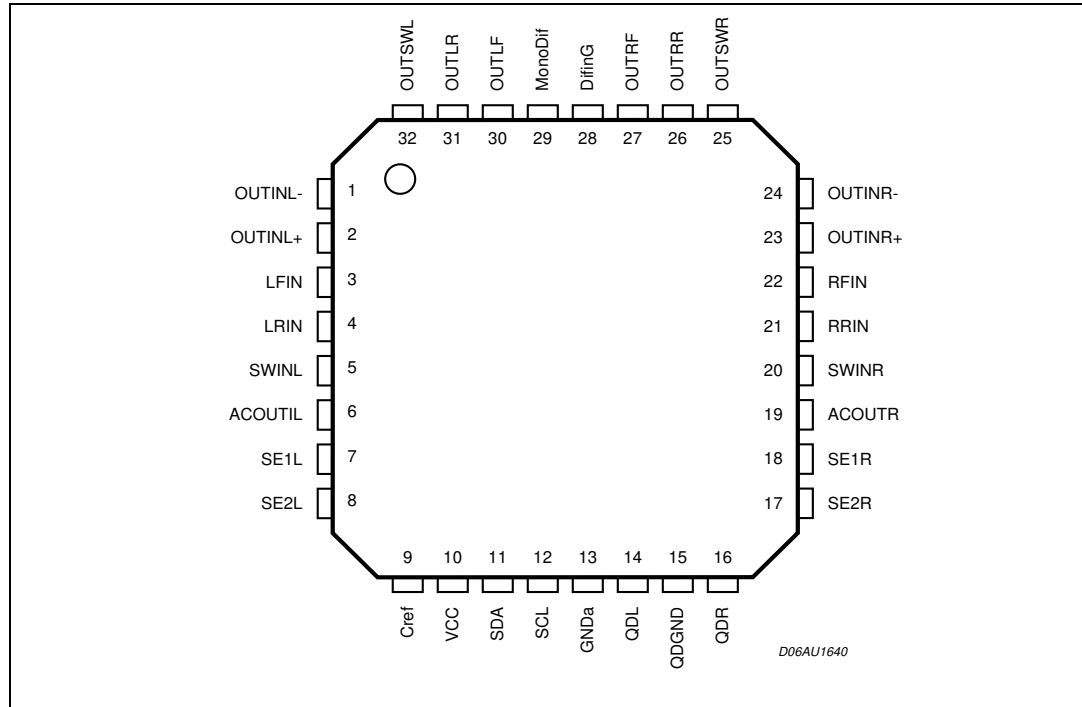
1 Block diagram

Figure 1. Block diagram



2 Pins description

Figure 2. Pins connection (Top view)



2.1 Pins description

Table 2. Pins description

NO.	Pin Name	Description	I/O
1	OUTINL-	Left- full-differential stereo input or bass differential output	I/O
2	OUTINL+	Left+ full-differential stereo input or bass differential output	I/O
3	LFIN	Front AC coupling left input	I
4	LRIN	Rear AC coupling left input	I
5	SWINL	SW AC coupling left input	I
6	ACOUTL	AC coupling left output	O
7	SE1L	Single-ended input 1 left channel	I
8	SE2L	Single-ended input 2 left channel	I
9	CREF	Reference capacitor	O
10	VCC	Supply	S
11	SDA	I ² C bus data	I/O
12	SCL	I ² C bus clock	I
13	GNDa	Ground	S

Table 2. Pins description (continued)

NO.	Pin Name	Description	I/O
14	QDL	Pseudo differential stereo input left	I
15	QDGND	Pseudo differential stereo input common	I
16	QDR	Pseudo differential stereo input right	I
17	SE2R	Single-ended input 2 right channel	I
18	SE1R	Single-ended input 1 right channel	I
19	ACOUTR	AC coupling right output	O
20	SWINR	SW AC coupling right input	I
21	RRIN	Rear AC coupling right input	I
22	RFIN	Front AC coupling right input	I
23	OUTINR+	Right+ Full-differential stereo input or Bass differential output	I/O
24	OUTINR-	Right- Full-differential stereo input or Bass differential output	I/O
25	OUTSWR	SW right output	O
26	OUTRR	Rear right output	O
27	OUTRF	Front right output	O
28	DifinG	Mono differential input common	I
29	MonoDif	Mono differential input	I
30	OUTLF	Front left output	O
31	OUTLR	Rear left output	O
32	OUTSWL	SW left output	O

3 Electrical specifications

3.1 Thermal data

Table 3. Thermal data

Symbol	Description	Value	Unit
$R_{Thj-case}$	Thermal resistance junction-case	13	°C/W

3.2 Absolute maximum ratings

Table 4. Absolute maximum ratings

Symbol	Parameter	Value	Unit
V_S	Operating supply voltage	9.5	V
T_{amb}	Operating ambient temperature	-40 to 85	°C
T_{stg}	Storage temperature range	-55 to 150	°C
V_{ESD}	ESD protection (Human Body Model)	±2000	V
V_{ESD}	ESD protection (Change Device Model)	±750	V

3.3 Electrical characteristics

Table 5. Electrical characteristics

$V_S = 8.5V$; $T_{amb} = 25\text{ C}$; $R_L = 10k\Omega$; all gains = 0dB; $f = 1kHz$; unless otherwise specified

Symbol	Parameter	Test Condition	Min.	Typ.	Max.	Unit
SUPPLY						
V_s	Supply voltage		8	8.5	9	V
I_s	Supply current		25	34	45	mA
INPUT SELECTOR						
R_{in}	Input resistance	All single ended inputs	70	100	130	k Ω
V_{CL}	Clipping level	THD = 1%	2	2.3		V_{RMS}
S_{IN}	Input separation		80	100		dB
$G_{IN\ MIN}$	Min. input gain		-0.5	0	0.5	dB
$G_{IN\ MAX}$	Max. input gain		14.5	15	15.5	dB
G_{STEP}	Step resolution		0.5	1	1.5	dB
V_{DC}	DC steps	Adjacent gain steps	-5	1	5	mV
		G_{MIN} to G_{MAX}	-15	4	15	mV
V_{offset}	Remaining offset with AutoZero			0.5		mV

Table 5. Electrical characteristics (continued)

$V_S = 8.5V$; $T_{amb} = 25\text{ C}$; $R_L = 10k\Omega$; all gains = 0dB; $f = 1kHz$; unless otherwise specified

Symbol	Parameter	Test Condition	Min.	Typ.	Max.	Unit
DIFFERENTIAL STEREO INPUTS						
R_{in}	Input resistance	Differential	70	100	130	$k\Omega$
CMRR	Common mode rejection ratio	$V_{CM}=1\text{ VRMS@ }1kHz$	46	60		dB
		$V_{CM}=1\text{ VRMS@ }10kHz$	46	60		dB
DIFFERENTIAL MONO INPUTS						
R_{in}	Input resistance	Differential	40	56	72	$k\Omega$
CMRR	Common mode rejection ratio	$V_{CM} = 1\text{ VRMS@ }1kHz$	40	60		dB
		$V_{CM} = 1\text{ VRMS@ }10kHz$	40	60		dB
MIXING CONTROL						
M_{LEVEL}	Mixing ratio	Main / Mix Source		-6/-6		dB
G_{MAX}	Max gain		13	15	17	dB
A_{MAX}	Max attenuation		-83	-79	-75	dB
A_{STEP}	Step resolution		0.5	1	1.5	dB
LOUDNESS CONTROL						
A_{MAX}	Max attenuation		14	15	16	dB
A_{STEP}	Step resolution		0.5	1	1.5	dB
f_{Peak}	Peak frequency ⁽¹⁾	f_{P1}	360	400	440	Hz
		f_{P2}	720	800	880	Hz
		f_{P3}	2200	2400	2600	Hz
VOLUME CONTROL						
G_{MAX}	Max gain		14	15	16	dB
A_{MAX}	Max attenuation		-83	-79	-75	dB
A_{STEP}	Step resolution		0.5	1	1.5	dB
E_A	Attenuation set error	$G = -15\text{ to }+15\text{dB}$	-1	0	1	dB
		$G = -79\text{ to }-15\text{dB}$	-4	0	3	dB
E_T	Tracking error				2	dB
V_{DC}	DC steps	Adjacent attenuation steps	-3	0.1	3	mV
		From 0dB to G_{MIN}	-7	0.5	7	mV
SOFT MUTE						
A_{MUTE}	Mute attenuation		80	100		dB
T_D	Delay time	T1		0.48	1	ms
		T2		0.96	2	ms
		T3	70	123	170	ms

Table 5. Electrical characteristics (continued)

 $V_S = 8.5V$; $T_{amb} = 25\text{ C}$; $R_L = 10k\Omega$; all gains = 0dB; $f = 1kHz$; unless otherwise specified

Symbol	Parameter	Test Condition	Min.	Typ.	Max.	Unit
BASS CONTROL						
F _c	Center frequency ⁽¹⁾	f _{C1}	54	60	66	Hz
		f _{C2}	72	80	88	Hz
		f _{C3}	90	100	110	Hz
		f _{C4}	180	200	220	Hz
Q _{BASS}	Quality factor ⁽¹⁾	Q ₁	0.9	1	1.1	
		Q ₂	1.1	1.25	1.4	
		Q ₃	1.3	1.5	1.7	
		Q ₄	1.8	2	2.2	
C _{RANGE}	Control range		±14	±15	±16	dB
A _{STEP}	Step resolution		0.5	1	1.5	dB
DC _{GAIN}	Bass-DC-gain	DC = off	-1	0	+1	dB
		DC = on	3.5	4.4	5.5	dB
TREBLE CONTROL						
C _{RANGE}	Control range		±14	±15	±16	dB
A _{STEP}	Step resolution		0.5	1	1.5	dB
f _c	Center frequency ⁽¹⁾	f _{C1}	8	10	12	kHz
		f _{C2}	10	12.5	15	kHz
		f _{C3}	12	15	18	kHz
		f _{C4}	14	17.5	21	kHz
HPF						
f _{HP}	Highpass corner frequency ⁽¹⁾	f _{HP1}	72	80	88	Hz
		f _{HP2}	108	120	132	Hz
		f _{HP3}	144	160	176	Hz
SPEAKER ATTENUATORS						
G _{MAX}	Max gain		14	15	16	dB
A _{MAX}	Max attenuation		-83	-79	-75	dB
A _{STEP}	Step resolution		0.5	1	1.5	dB
A _{MUTE}	Mute attenuation		80	90		dB
E _E	Attenuation set error				2	dB
V _{DC}	DC steps	Adjacent attenuation steps	-5	0.1	5	mV
AUDIO OUTPUTS						
V _{CL}	Clipping level	THD = 1%	2	2.3		V _{RMS}
R _{OUT}	Output impedance		5	30	100	W
R _L	Output load resistance		2			kΩ
C _L	Output load capacitor				10	nF

Table 5. Electrical characteristics (continued)

$V_S = 8.5V$; $T_{amb} = 25\text{ C}$; $R_L = 10k\Omega$; all gains = 0dB; $f = 1kHz$; unless otherwise specified

Symbol	Parameter	Test Condition	Min.	Typ.	Max.	Unit
V_{DC}	DC voltage level		4.05	4.25	4.4	V
AC COUPLING						
R_{ACIN}	AC coupling input resistance		35	50	65	$k\Omega$
R_{ACOUT}	AC coupling output resistance		5	50	100	Ω
IN/OUT CONTROL						
R_{in}	Input resistance	Differential	70	100	130	$k\Omega$
CMRR	Common mode rejection ratio	$V_{CM} = 1\text{ VRMS@ }1kHz$	40	60		dB
		$V_{CM} = 1\text{ VRMS@ }10kHz$	40	60		dB
$V_{CL(IN)}$	In clipping level		1.9	2		V_{RMS}
$V_{CL(OUT)}$	Out clipping level		1.9	2		V_{RMS}
R_{OUT}	Output impedance			50	100	Ω
R_{IMPED}	High impedance			200		$k\Omega$
V_{DC}	DC voltage level		3.1	3.3	3.5	V
I²C TIMING						
V_{IH}	High input voltage for SDA,SCL		2.5			V
V_{IL}	Low input voltage for SDA,SCL				0.7	V
V_{OL}	Low output voltage for SDA				0.4	V
T_r	SDA and SCL rise time				300	ns
T_f	SDA and SCL fall time				300	ns
T_{sdah}	SCL falling to SDA input hold time		0		0.9	us
T_{sdas}	SDA input setup time to SCL rising		100			ns
GENERAL						
e_{NO}	Output noise	BW=20Hz to 20 kHz all gain = 0dB, HPF = off		12	25	μV
		BW=20Hz to 20 kHz Output muted		6	15	μV
S/N	Signal to noise ratio	all gain = 0dB flat; $V_o = 2V_{RMS}$	95	100		dB
D	Distortion	$V_{IN} = 1V_{RMS}$; all stages 0dB HPF = off		0.01	0.1	%
S_C	Channel separation left/right		80	90		dB

1. Min and max values are calculated according to simulation results; functionality is guaranteed by measuring a directly correlated parameter

Note: *It is not recommended that gain control and Softstep control be adjusted at the same time if they are in the same byte.
It is not allowed to change multistep on/off or softstep on/off during the process of multistep or softstep.*

4 Description of the audioprocessor

4.1 Input stages

In the basic configuration, one stereo quasi-differential, one selectable full-differential and two single ended stereo inputs are available. As [Figure 3](#) shown.

Quasi-differential stereo Input (QD)

The QD input is implemented as a buffered quasi-differential stereo stage with 100k Ω input-impedance at each input. The attenuation is fixed to -3.5dB in order to adapt the incoming signal level.

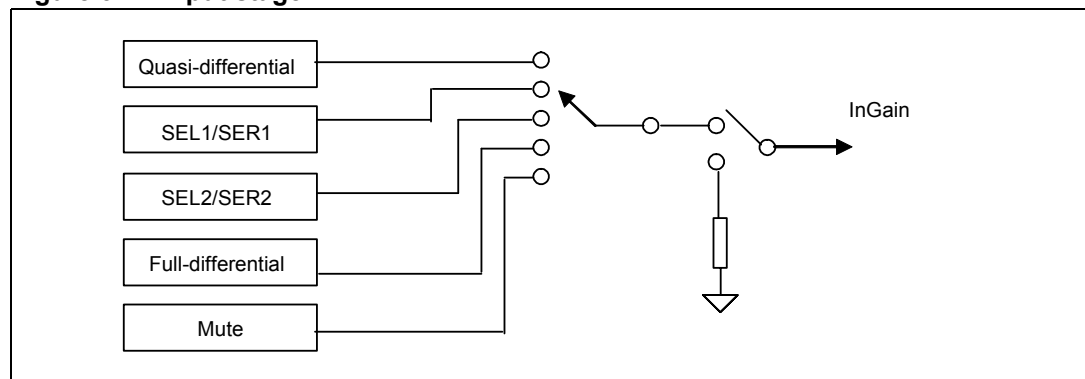
Single-ended stereo input (SE1, SE2)

The input-impedance at each input is 100k Ω and the attenuation is fixed to -3.5dB for incoming signals.

Full differential stereo Input (FD)

The FD input is implemented as a selectable full-differential stereo stage with 50k input-impedance at each input or high impedance status. The attenuation is fixed to -3.5dB in order to adapt the incoming signal level. The high impedance status is 100k Ω

Figure 3. Input stage



4.2 AutoZero

The AutoZero allows a reduction of the number of pins as well as external components by canceling any offset generated by or before the In-Gain-stage (Please notice that externally generated offsets, e.g. generated through the leakage current of the coupling capacitors, are not canceled).

The auto-zeroing is started every time the input source is changed and needs max. **0.32ms** for the alignment. To avoid audible clicks the Audio processor is muted before the loudness stage during this time.

AutoZero-Remain

In some cases, for example if the μP is executing a refresh cycle of the IIC-Bus-programming, it is not useful to start a new AutoZero-action because no new source is selected and an undesired mute would appear at the outputs. For such applications, it can be switched in the **AutoZero-Remain-Mode** (Bit 6 of the subaddress-byte). If this bit is set to high, the AutoZero will not be invoked and the old adjustment-value remains.

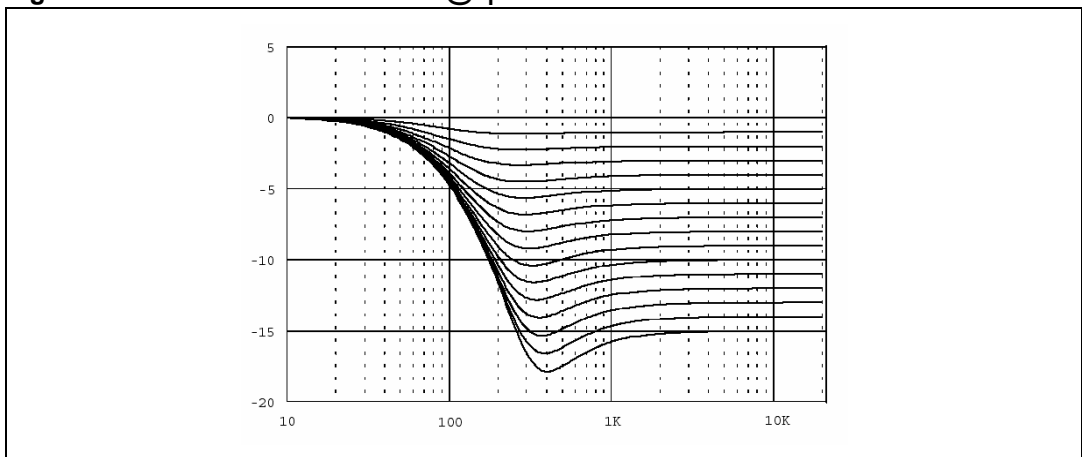
4.3 Loudness

There are four parameters programmable in the loudness stage:

4.3.1 Attenuation

Figure 4 shows the attenuation as a function of frequency at $f_p = 400\text{Hz}$.

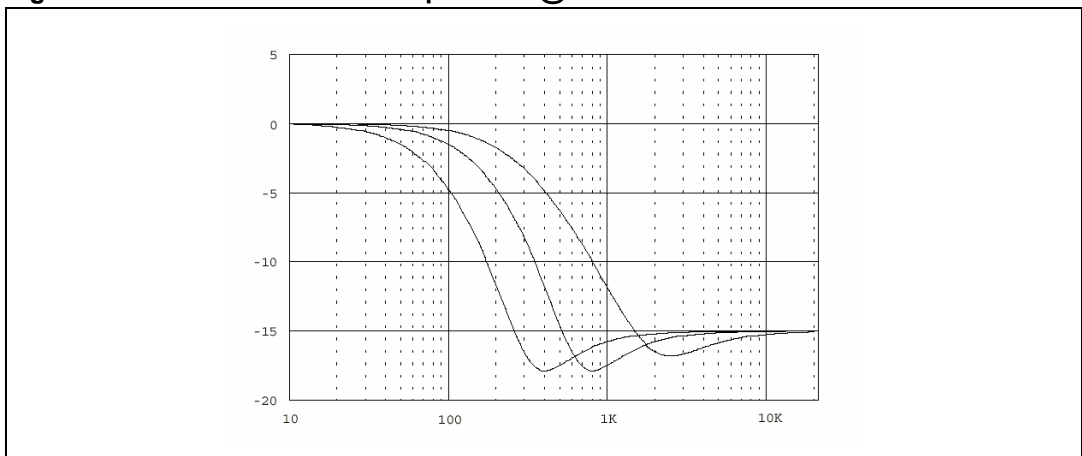
Figure 4. Loudness Attenuation @ $f_p = 400\text{Hz}$



4.3.2 Peak Frequency

Figure 5 shows the four possible peak-frequencies at 400, 800 and 2400Hz.

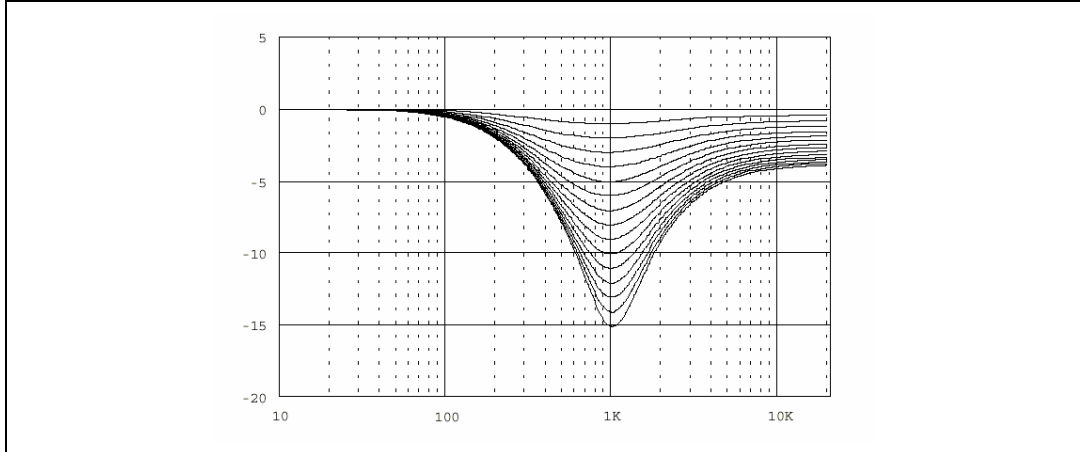
Figure 5. Loudness Center frequencies @ Attn. = 15dB



4.3.3 Low & high frequency boost

Figure 6 shows the different Loudness shapes in low & high frequency boost.

Figure 6. Loudness Attenuation, $f_c=2.4\text{kHz}$



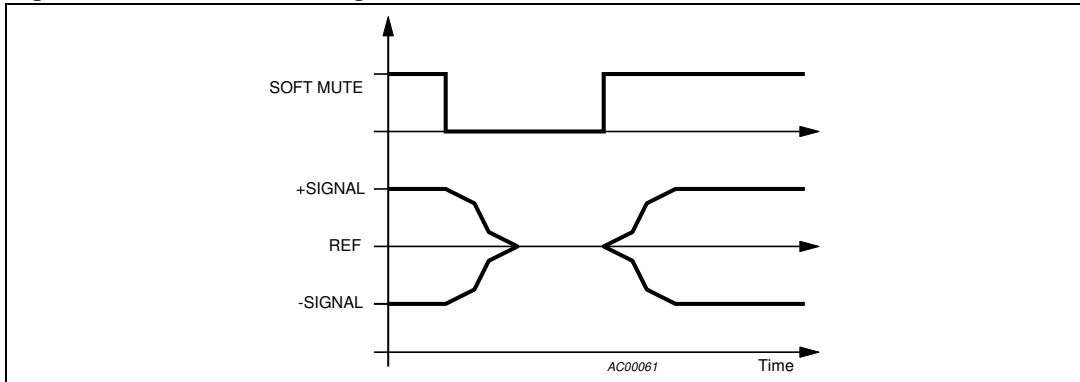
4.3.4 Flat Mode

In flat mode the loudness stage works as a 0dB to -15dB attenuator.

4.4 SoftMute

The digitally controlled Softmute stage allows muting/demuting the signal with a I2C-bus programmable slope. The mute process can be activated by the I²C-bus. This slope is realized in a special S-shaped curve to mute slow in the critical regions (see Figure 7).

Figure 7. Softmute-Timing



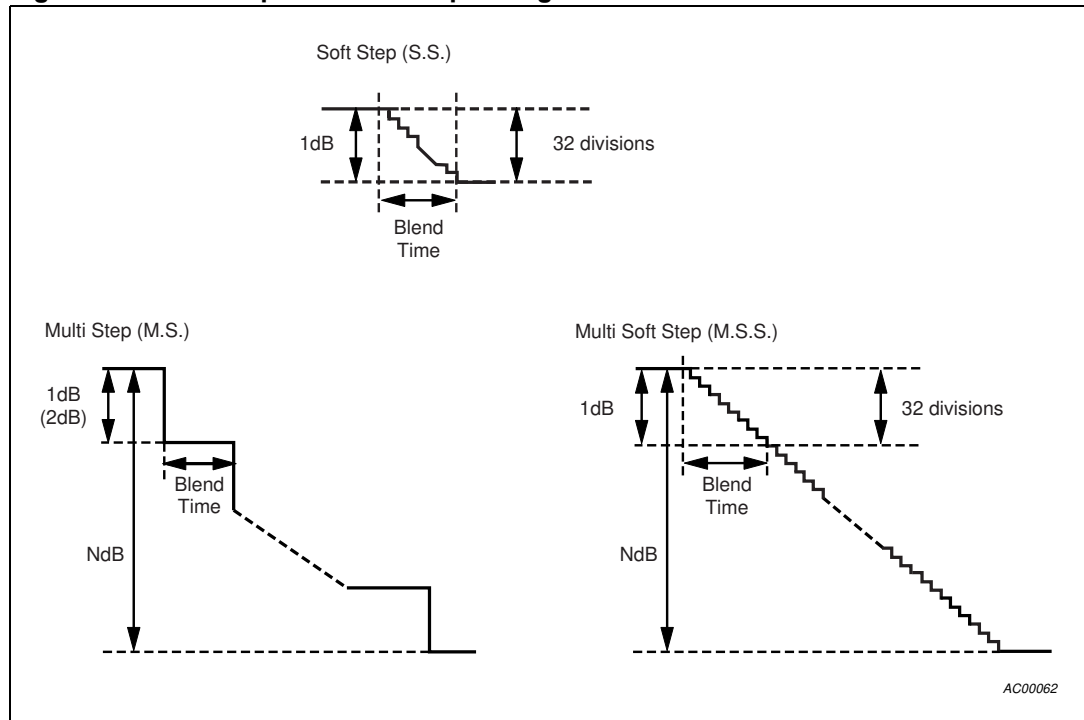
Note: Please notice that a started Mute-action is always terminated and could not be interrupted by a change of the mute -signal

4.5 Multistep and Softstep Volume

When the volume-level is changed audible clicks could appear at the output. The root cause of those clicks

could either be a DC-Offset before the volume-stage or the sudden change of the envelope of the audio signal. With the Multistep and Softstep feature both kinds of clicks could be reduced to a minimum and are no more audible. Multistep feature supports N dB change, each step is 1dB; During 1dB transition, it will have 32 divisions if choosing softstep. The blend-time from one step to the next is user selectable.

Figure 8. Soft Step and Multi Step timing



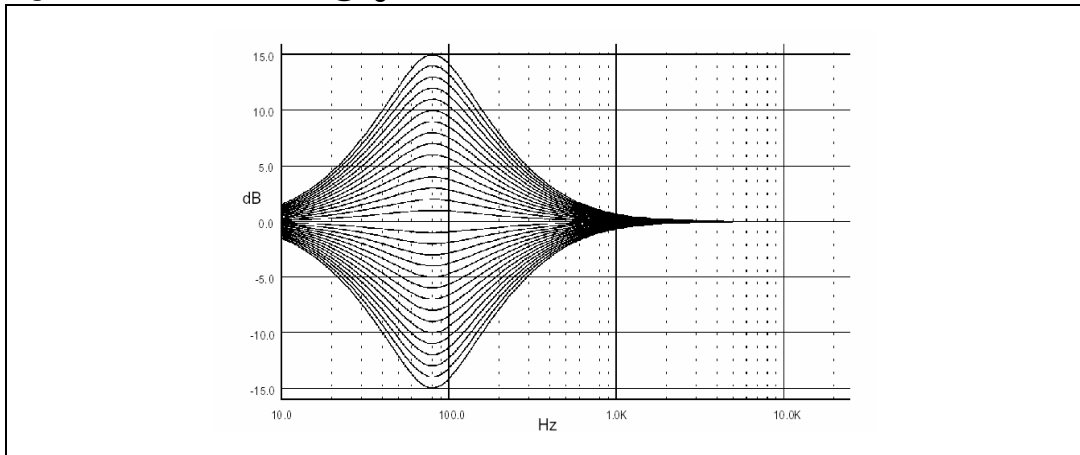
4.6 Bass

There are four parameters programmable in the bass stage:

4.6.1 Attenuation

Figure 9 shows the attenuation as a function of frequency at a center frequency of 80Hz.

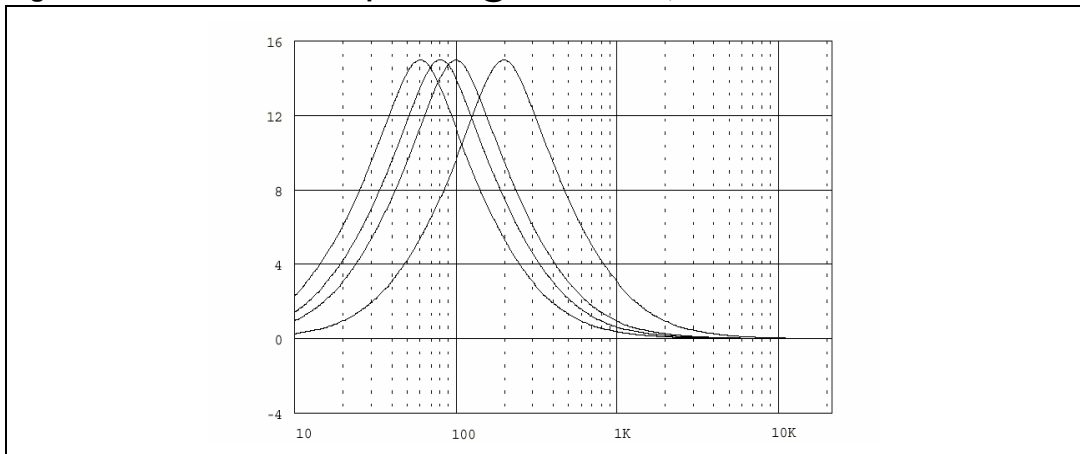
Figure 9. Bass Control @ $f_c = 80\text{Hz}$, $Q = 1$



4.6.2 Center Frequency

Figure 10 shows the eight possible center frequencies 60, 80, 100 and 200Hz.

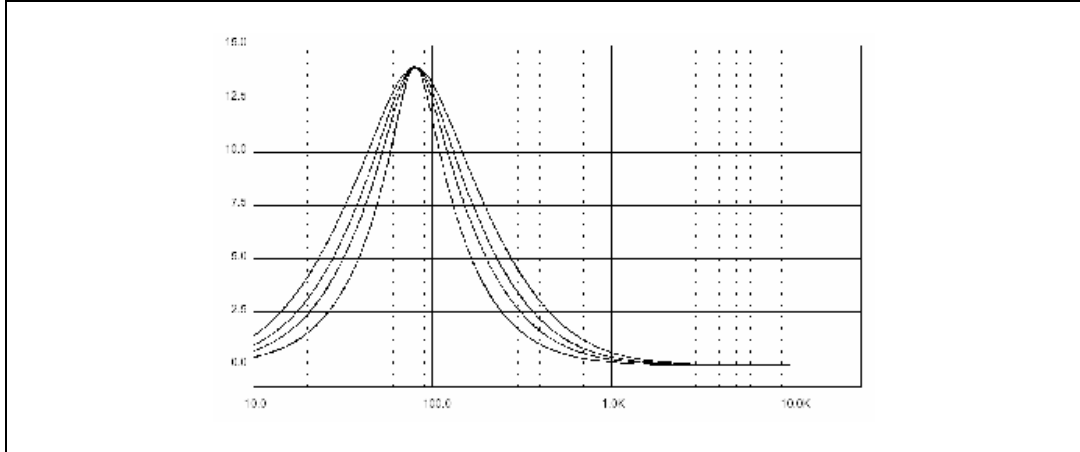
Figure 10. Bass center Frequencies @ Gain = 14dB, $Q = 1$



4.6.3 Quality Factors

Figure 11 shows the four possible quality factors 1, 1.25, 1.5 and 2.

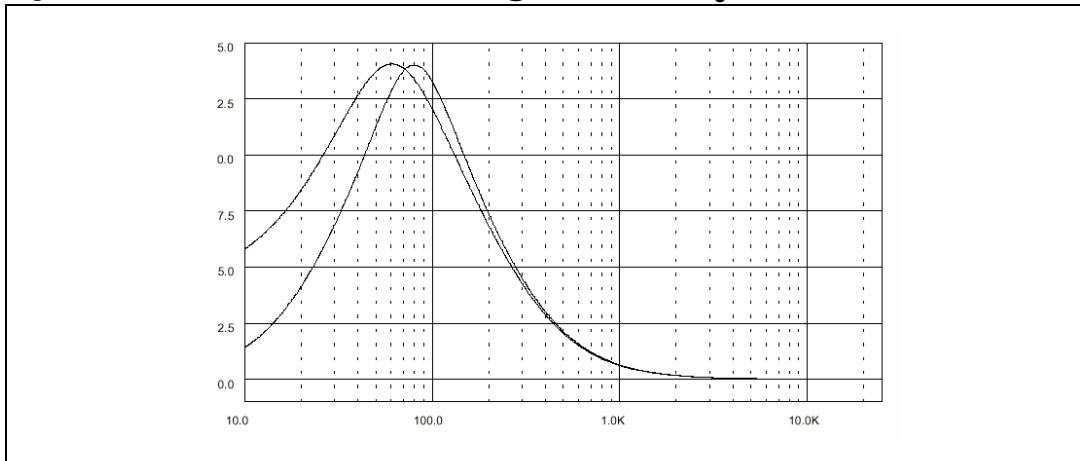
Figure 11. Bass Quality factors @ Gain = 14dB, $f_c = 80\text{Hz}$



4.6.4 DC Mode

It is used for cut only for shelving filter. In this mode the DC-gain is increased by 4.4dB. In addition the programmed center frequency and quality factor is decreased by 25% which can be used to reach alternative center frequencies or quality factors. Figure 12 shows DC mode.

Figure 12. Bass normal and DC Mode @ Gain = 14dB, $f_c = 80\text{Hz}$



Note: The center frequency, Q and DC-mode can be set fully independently.

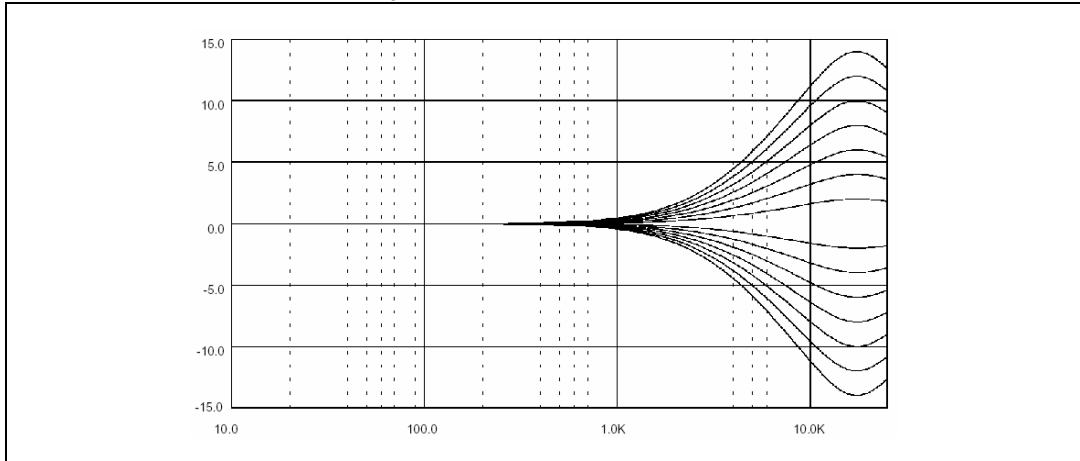
4.7 Treble

There are two parameters programmable in the treble stage:

4.7.1 Attenuation

Figure 13 shows the attenuation as a function of frequency at a center frequency of 17.5kHz.

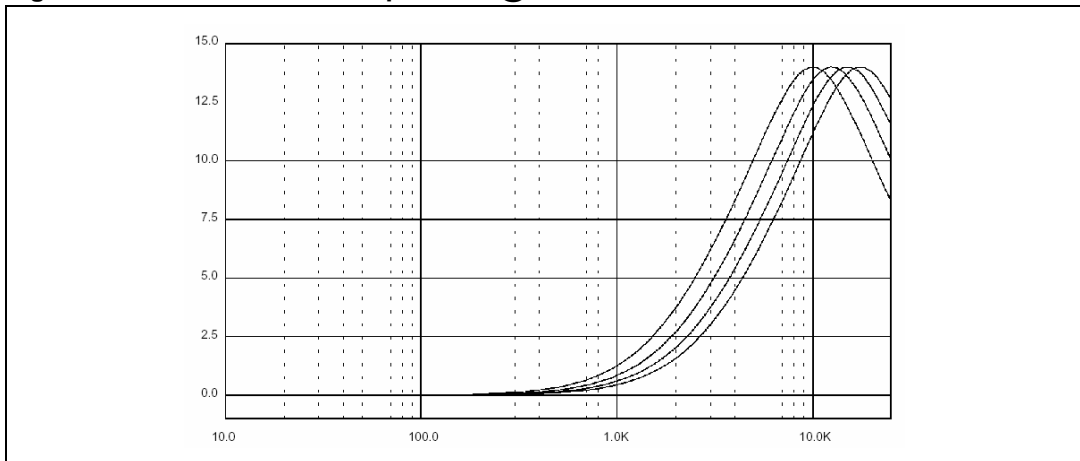
Figure 13. Treble Control @ $f_c = 17.5\text{kHz}$



4.7.2 Center Frequency

Figure 14 shows the four possible center frequencies 10k, 12.5k, 15k and 17.5kHz.

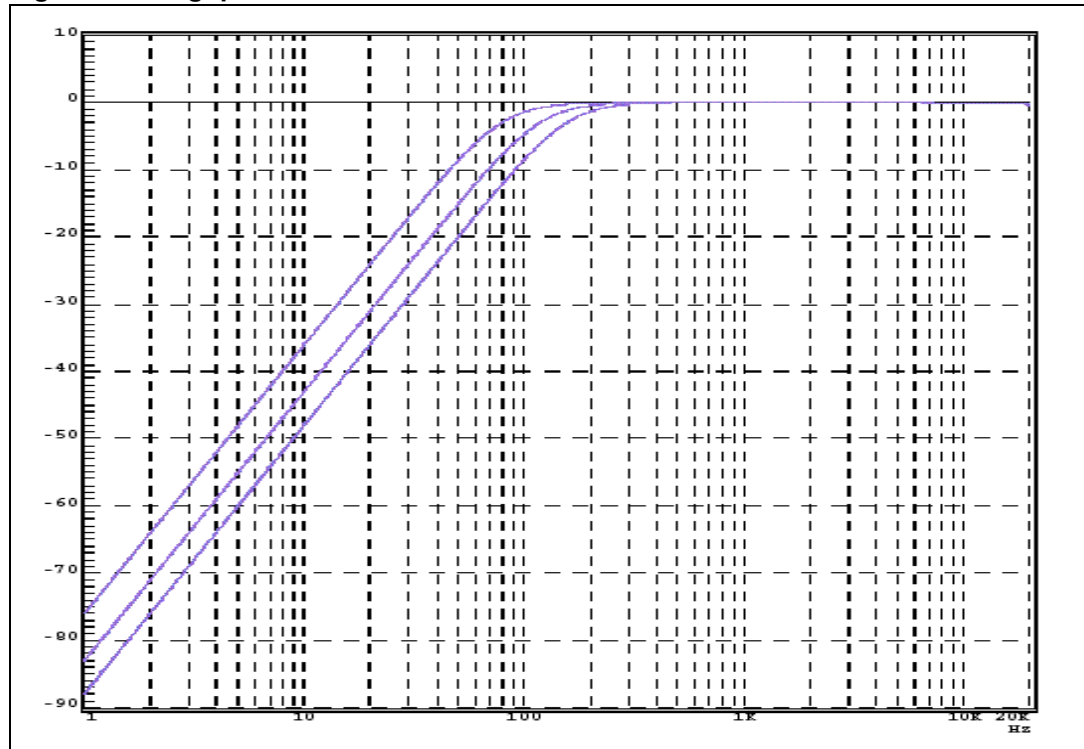
Figure 14. Treble Center Frequencies @ Gain = 14dB



4.8 Highpass filter

The highpass filter has 2 order filter characteristics with programmable cut-off frequency (80/120/160Hz)

Figure 15. Highpass Control

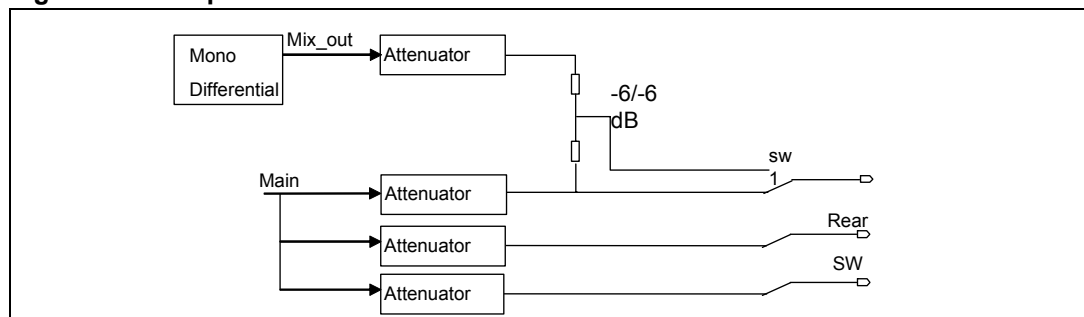


4.9 Output Selector and Mixing

The output-selector allows different sources to connect to the front output. The setup of the output selector is shown in Figure 16. A Mixing-stage is placed after the front speaker-attenuator and can be set to mixing-mode.

In normal mode, switch (sw1) turns to down and main signal is directly outputted through front pin. In the mixing mode, switch (sw1) turns up, mono differential signal and main signal are mixed with ratio -6/-6dB. Having a full volume-attenuator for the mix-signal, the stage offers a wide flexibility to adapt the mixing levels.

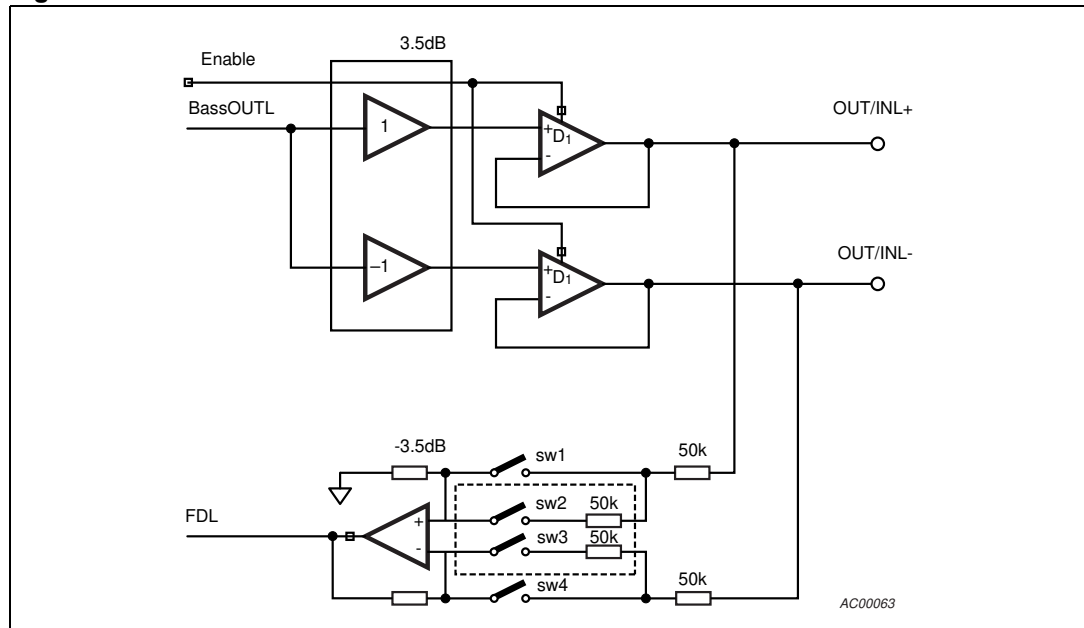
Figure 16. Output Selector



4.10 IN/OUT control

IN/OUT control offers selectable full-differential stereo input or Bass output as figure15 shown. When used as full-differential input, bass buffer output is disabled, full-differential input switch sw1(sw4) closes and sw2(sw3) closes. When used as bass output, full-differential input switch sw1(sw4) opens and sw2(sw3) still closes, single ended bass output signal is converted to full differential output. IN/OUT control supports high impedance status when bass buffer output is disabled, full-differential input switch sw1(sw4) opens and sw2(sw3) closes.

Figure 17. IN/OUT control

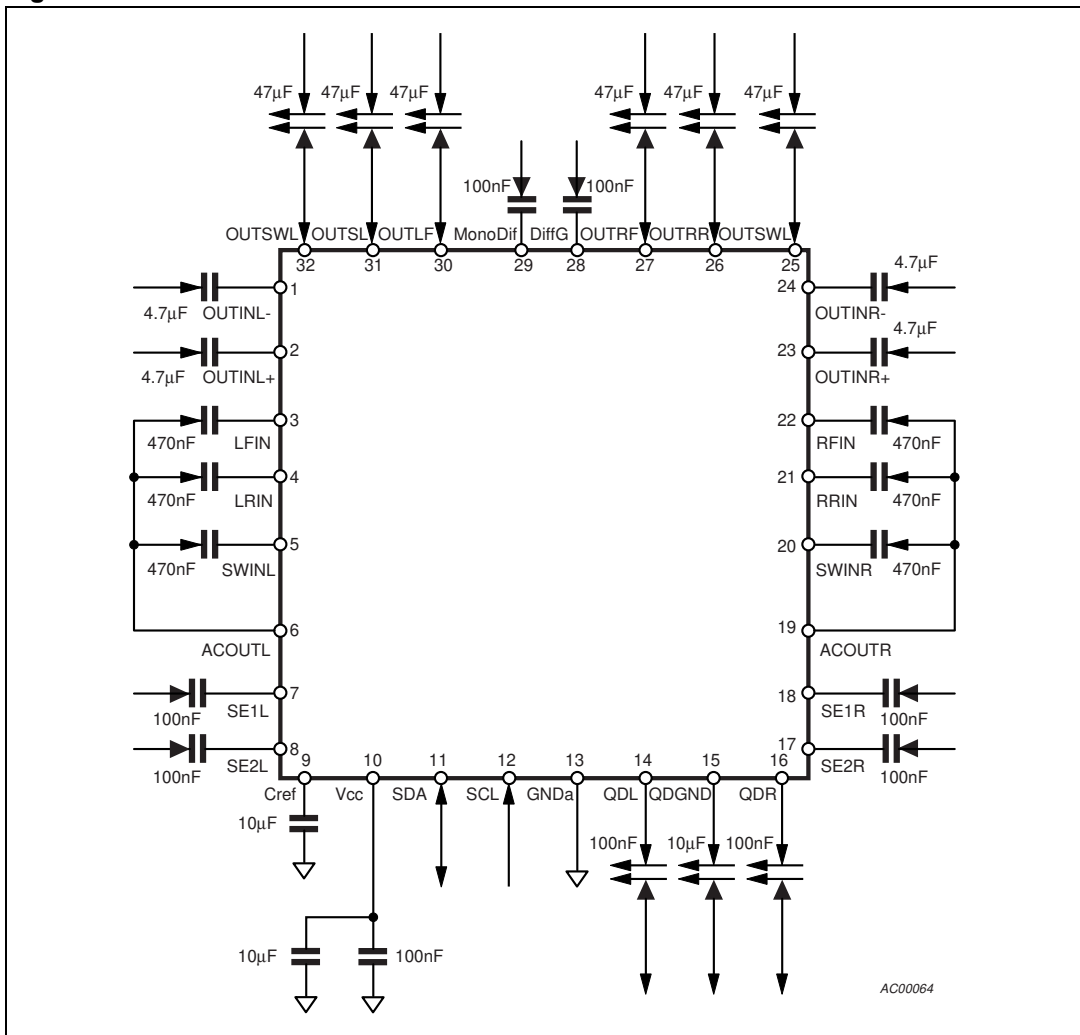


4.11 Audioprocessor Testing

In the test mode, which can be activated by setting bit D7 of the IIC subaddress byte and bit D0 of the testing audioprocessor byte, several internal signals are available at the QDL pin. In this mode, the input resistance of 100kOhm is disconnected from the pin. Internal signals available for testing are listed in the data-byte specification. External clock can be available at the SE1R pin.

4.12 Test circuit

Figure 18. Test circuit



5 I²C Bus specification

5.1 Interface Protocol

The interface protocol comprises:

- ? a start condition (S)
- ? a chip address byte (the LSB determines read/write transmission)
- ? a subaddress byte
- ? a sequence of data (N-bytes + acknowledge)
- ? a stop condition (P)
- ? the max. clock speed is 500kbits/s
- ? 3.3V logic compatible

5.1.1 Receive Mode

S	1	0	0	0	1	0	0	R/W	ACK	TS	AZ	AI	A4	A3	A2	A1	A0	ACK	DATA	ACK	P
---	---	---	---	---	---	---	---	-----	-----	----	----	----	----	----	----	----	----	-----	------	-----	---

S = Start

R/W = "0" -> Receive Mode (Chip can be programmed by P)

"1" -> Transmission Mode (Data could be received by P)

ACK = Acknowledge

P = Stop

TS = Testing mode

AZ = Auto zero remain

AI = Auto increment

5.1.2 Transmission Mode

S	1	0	0	0	1	0	0	R/W	ACK	X	X	X	X	X	X	X	X	SM	ACK	P
---	---	---	---	---	---	---	---	-----	-----	---	---	---	---	---	---	---	---	----	-----	---

SM = Soft mute activated for main channel

X = Not Used

The transmitted data is automatic updated after each ACK. Transmission can be repeated without new chip address.

5.1.3 Reset Condition

A Power-On-Reset is invoked if the Supply-Voltage is below than 3.5V. After that the following data is written automatically into the registers of all subaddresses:

Table 6. Registers of all subaddresses

MSB							LSB
1	1	1	1	1	1	1	0

6 Serial data assign

6.1 Sub-address

Table 7. Sub-address

MSB							LSB	FUNCTION
I2	I1	I0	A4	A3	A2	A1	A0	
0 1								Testing Mode off on
	0 1							AutoZero Remain off on
		0 1						Auto Increment Mode Off On
			0	0	0	0	0	Main Source Selector
			0	0	0	0	1	Loudness
			0	0	0	1	0	Primary Volume
			0	0	0	1	1	Softmute/Clock Generator
			0	0	1	0	0	Treble Control
			0	0	1	0	1	Bass Control
			0	0	1	1	0	Highpass/Bass Frequency control
			0	0	1	1	1	Smoother/In/Out control
			0	1	0	0	0	Mix volume
			0	1	0	0	1	Mono Fader LF
			0	1	0	1	0	Mono Fader RF
			0	1	0	1	1	Mono Fader LR
			0	1	1	0	0	Mono Fader RR
			0	1	1	0	1	Mono Fader SWL
			0	1	1	1	0	Mono Fader SWR
			0	1	1	1	1	Fader Multistep control
			1	0	0	0	0	Test control

6.1.1 Main Source Selector (0)

Table 8. Main source selector (0)

MSB					LSB			FUNCTION
D7	D6	D5	D4	D3	D2	D1	D0	
					0	0	0	Source Selector QD
					0	0	1	SE1
					0	1	0	SE2
					0	1	1	FD
					1	X	X	Mute
	0	0	0	0				Input Gain 0dB
	0	0	0	1				1dB
	0	0	1	0				2.dB
	0	0	1	1				3dB
	0	1	0	0				4dB
	0	1	0	1				5dB
	0	1	1	0				6dB
	0	1	1	1				7dB
	1	0	0	0				8dB
	1	0	0	1				9dB
	1	0	1	0				10dB
	1	0	1	1				11dB
	1	1	0	0				12dB
	1	1	0	1				13dB
	1	1	1	0				14dB
	1	1	1	1				15dB
0								Auto Zero on
1								off

6.1.2 Loudness (1)

Table 9. Loudness (1)

MSB				LSB				FUNCTION
D7	D6	D5	D4	D3	D2	D1	D0	
				0	0	0	0	Attenuation 0dB
				0	0	0	1	-1dB
				0	0	1	0	-2dB
				0	0	1	1	-3dB
				0	1	0	0	-4dB
				0	1	0	1	-5dB
				0	1	1	0	-6dB
				0	1	1	1	-7dB
				1	0	0	0	-8dB
				1	0	0	1	-9dB
				1	0	1	0	-10dB
				1	0	1	1	-11dB
				1	1	0	0	-12dB
				1	1	0	1	-13dB
				1	1	1	0	-14dB
				1	1	1	1	-15dB
		0	0					Center Frequency Flat
		0	1					400Hz
		1	0					800Hz
		1	1					2400Hz
	0							High Boost on
	1							off
0								Softstep on
1								off

6.1.3 Volume/Mix volume/Fader LF/RF/LR/RR/SWL/SWR (2,8-14)

Table 10. Volume/Mix volume/Fader LF/RF/LR/RR/SWL/SWR (2,8-14)

MSB							LSB		FUNCTION
D7	D6	D5	D4	D3	D2	D1	D0		
	0	0	0	0	0	0	0	Gain/Attenuation 0dB	
	0	0	0	0	0	0	1	1dB	
	0	0	0	0	0	1	0	2.dB	
	:	:	:	:	:	:	:	:	
	0	0	0	1	1	1	1	15dB	
	0	0	1	0	0	0	0	-0dB	
	0	0	1	0	0	0	1	-1dB	
	:	:	:	:	:	:	:	:	
	1	0	1	1	1	1	0	-78dB	
	1	0	1	1	1	1	1	-79dB	
	1	1	x	x	x	x	x	mute	
0								Softstep on	
1								off	

6.1.4 Softmute(3)

Table 11. Softmute(3)

MSB							LSB		FUNCTION
D7	D6	D5	D4	D3	D2	D1	D0		
							0	Soft Mute on	
							1	off	
					0	0		Soft Mute Time 0.48ms	
					0	1		0.96ms	
					1	x		123ms	
		0	0	0				Softstep Time 0.160ms	
		0	0	1				0.321ms	
		0	1	0				0.642ms	
		0	1	1				1.28ms	
		1	0	0				2.56ms	
		1	0	1				5.12ms	
		1	1	0				10.24ms	
		1	1	1				20.48ms	
	x							Not used	
x								Not used	

6.1.5 Treble(4)

Table 12. Treble(4)

MSB							LSB	FUNCTION
D7	D6	D5	D4	D3	D2	D1	D0	
			0	1	1	1	1	Gain/Attenuation -15dB
			0	1	1	1	0	-14dB
			:	:	:	:	:	:
			0	0	0	0	1	-1dB
			0	0	0	0	0	0dB
			1	0	0	0	0	0dB
			1	0	0	0	1	+1dB
			:	:	:	:	:	:
			1	1	1	1	0	+14dB
			1	1	1	1	1	+15dB
	0	0						Treble Center Frequency 10kHz
	0	1						12.5kHz
	1	0						15kHz
	1	1						17.5kHz
0								Volume Multistep Control on
1								off

6.1.6 Bass(5)

Table 13. Bass(5)

MSB							LSB	FUNCTION
D7	D6	D5	D4	D3	D2	D1	D0	
			0	1	1	1	1	Gain/Attenuation -15dB
			0	1	1	1	0	-14dB
			:	:	:	:	:	:
			0	0	0	0	1	-1dB
			0	0	0	0	0	0dB
			1	0	0	0	0	0dB
			1	0	0	0	1	+1dB
			:	:	:	:	:	:
			1	1	1	1	0	+14dB
			1	1	1	1	1	+15dB
	0	0						Bass Q Factor 1
	0	1						1.25
	1	0						1.5
	1	1						2
0								Softstep Control on
1								off

6.1.7 Highpass/Bass Frequency Control(6)

Table 14. Highpass/Bass Frequency Control(6)

MSB							LSB		FUNCTION
D7	D6	D5	D4	D3	D2	D1	D0		
						0 0 1 1	0 1 0 1	Bass Frequency 60Hz 80Hz 100Hz 200Hz	
					0 1			Bass DC Mode on off	
			0 0 1	0 1 x				Front Highpass Frequency 80Hz 120Hz 160Hz	
	0 0 1	0 1 x						Rear Highpass Frequency 80Hz 120Hz 160Hz	
x								Not used	

6.1.8 Smoother /In/Out Control(7)

Table 15. Smoother /In/Out Control(7)

MSB							LSB		FUNCTION
D7	D6	D5	D4	D3	D2	D1	D0		
							0 1	Mixing Enable on off	
						0 1		Smoother Filter on off	
					0 1			AC coupling on off	
			0 0 1	0 1 x				In Out Control in out High Impedance	
		0 1						Front Highpass Control on bypass	
	0 1							Rear Highpass Control on bypass	
x								Not used	

6.1.9 Fader Multistep Control(15)

Table 16. Fader Multistep Control(15)

MSB							LSB	FUNCTION
D7	D6	D5	D4	D3	D2	D1	D0	
							0 1	Fader LF Multistep on off
						0 1		Fader RF Multistep on off
					0 1			Fader LR Multistep on off
				0 1				Fader RR Multistep on off
			0 1					Fader SWL Multistep on off
		0 1						Fader SWR Multistep on off
	0 1							Mixing to Left Front Speaker on off
0 1								Mixing to Right Front Speaker on off

6.1.10 Testing (16)

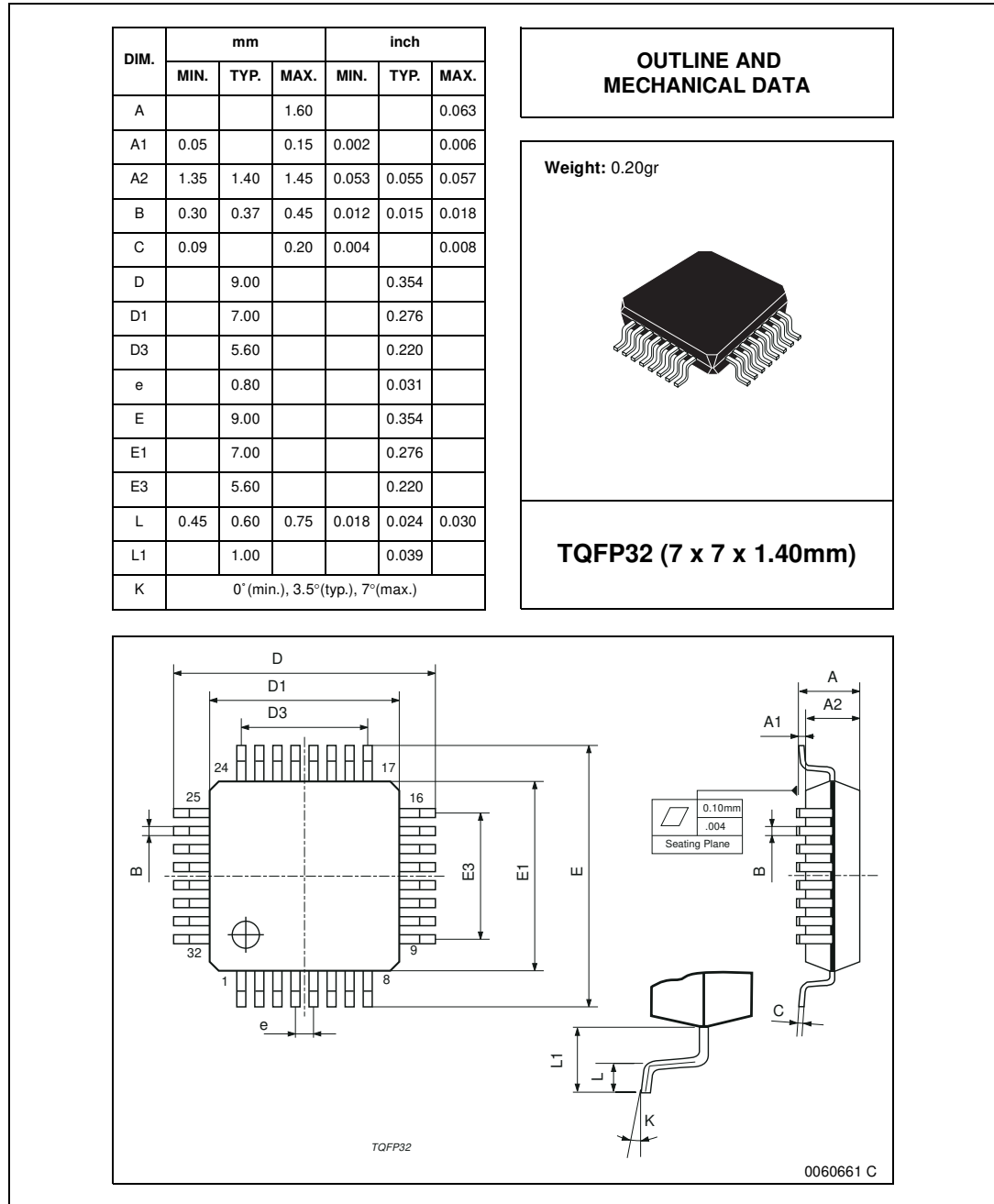
Table 17. Testing (16)

MSB							LSB	FUNCTION
D7	D6	D5	D4	D3	D2	D1	D0	
							0 1	Audio Processor Testing Mode off on
			0 0 0 0 0 0 0 0 1 1 1 1 1 1 1 1 1	0 0 0 0 1 1 1 0 0 0 0 1 1 1 1 1	0 0 1 1 0 0 1 0 0 0 1 1 0 0 0 0 1	0 1 0 1 0 1 1 0 1 0 1 0 0 1 0		Test Multiplexer Right Bass opmos2 out Right Bass Vref Left InGain Right Bass opmos21 out Left Volume Left Loudness Left Bass Left Treble REF5.5V Left Highpass out 1.95V VBG 1.26V SSCLK CLK200 SMCLK Clock Source external internal
	0 1							Clock Fast Mode on off
x								Not used

7 Package information

In order to meet environmental requirements, ST offers these devices in ECOPACK® packages. These packages have a Lead-free second level interconnect. The category of second Level Interconnect is marked on the package and on the inner box label, in compliance with JEDEC Standard JESD97. The maximum ratings related to soldering conditions are also marked on the inner box label. ECOPACK is an ST trademark. ECOPACK specifications are available at: www.st.com.

Figure 19. TQFP32 Mechanical Data & Package Dimensions



8 Revision history

Table 18. Document revision history

Date	Revision	Changes
28-Feb-2007	1	Initial release.
26-Jun-2007	2	Corrected typo errors.
22-Sep-2013	3	Updated Disclaimer.

Please Read Carefully:

Information in this document is provided solely in connection with ST products. STMicroelectronics NV and its subsidiaries ("ST") reserve the right to make changes, corrections, modifications or improvements, to this document, and the products and services described herein at any time, without notice.

All ST products are sold pursuant to ST's terms and conditions of sale.

Purchasers are solely responsible for the choice, selection and use of the ST products and services described herein, and ST assumes no liability whatsoever relating to the choice, selection or use of the ST products and services described herein.

No license, express or implied, by estoppel or otherwise, to any intellectual property rights is granted under this document. If any part of this document refers to any third party products or services it shall not be deemed a license grant by ST for the use of such third party products or services, or any intellectual property contained therein or considered as a warranty covering the use in any manner whatsoever of such third party products or services or any intellectual property contained therein.

UNLESS OTHERWISE SET FORTH IN ST'S TERMS AND CONDITIONS OF SALE ST DISCLAIMS ANY EXPRESS OR IMPLIED WARRANTY WITH RESPECT TO THE USE AND/OR SALE OF ST PRODUCTS INCLUDING WITHOUT LIMITATION IMPLIED WARRANTIES OF MERCHANTABILITY, FITNESS FOR A PARTICULAR PURPOSE (AND THEIR EQUIVALENTS UNDER THE LAWS OF ANY JURISDICTION), OR INFRINGEMENT OF ANY PATENT, COPYRIGHT OR OTHER INTELLECTUAL PROPERTY RIGHT.

ST PRODUCTS ARE NOT DESIGNED OR AUTHORIZED FOR USE IN: (A) SAFETY CRITICAL APPLICATIONS SUCH AS LIFE SUPPORTING, ACTIVE IMPLANTED DEVICES OR SYSTEMS WITH PRODUCT FUNCTIONAL SAFETY REQUIREMENTS; (B) AERONAUTIC APPLICATIONS; (C) AUTOMOTIVE APPLICATIONS OR ENVIRONMENTS, AND/OR (D) AEROSPACE APPLICATIONS OR ENVIRONMENTS. WHERE ST PRODUCTS ARE NOT DESIGNED FOR SUCH USE, THE PURCHASER SHALL USE PRODUCTS AT PURCHASER'S SOLE RISK, EVEN IF ST HAS BEEN INFORMED IN WRITING OF SUCH USAGE, UNLESS A PRODUCT IS EXPRESSLY DESIGNATED BY ST AS BEING INTENDED FOR "AUTOMOTIVE, AUTOMOTIVE SAFETY OR MEDICAL" INDUSTRY DOMAINS ACCORDING TO ST PRODUCT DESIGN SPECIFICATIONS. PRODUCTS FORMALLY ESCC, QML OR JAN QUALIFIED ARE DEEMED SUITABLE FOR USE IN AEROSPACE BY THE CORRESPONDING GOVERNMENTAL AGENCY.

Resale of ST products with provisions different from the statements and/or technical features set forth in this document shall immediately void any warranty granted by ST for the ST product or service described herein and shall not create or extend in any manner whatsoever, any liability of ST.

ST and the ST logo are trademarks or registered trademarks of ST in various countries.

Information in this document supersedes and replaces all information previously supplied.

The ST logo is a registered trademark of STMicroelectronics. All other names are the property of their respective owners.

© 2013 STMicroelectronics - All rights reserved

STMicroelectronics group of companies

Australia - Belgium - Brazil - Canada - China - Czech Republic - Finland - France - Germany - Hong Kong - India - Israel - Italy - Japan - Malaysia - Malta - Morocco - Philippines - Singapore - Spain - Sweden - Switzerland - United Kingdom - United States of America

www.st.com