

Single Supply/Low Power/256-Tap/2-Wire Bus Quad Digitally-Controlled (XDCP™) Potentiometers

X9259

The X9259 integrates four digitally controlled potentiometers (XDCP) on a monolithic CMOS integrated circuit.

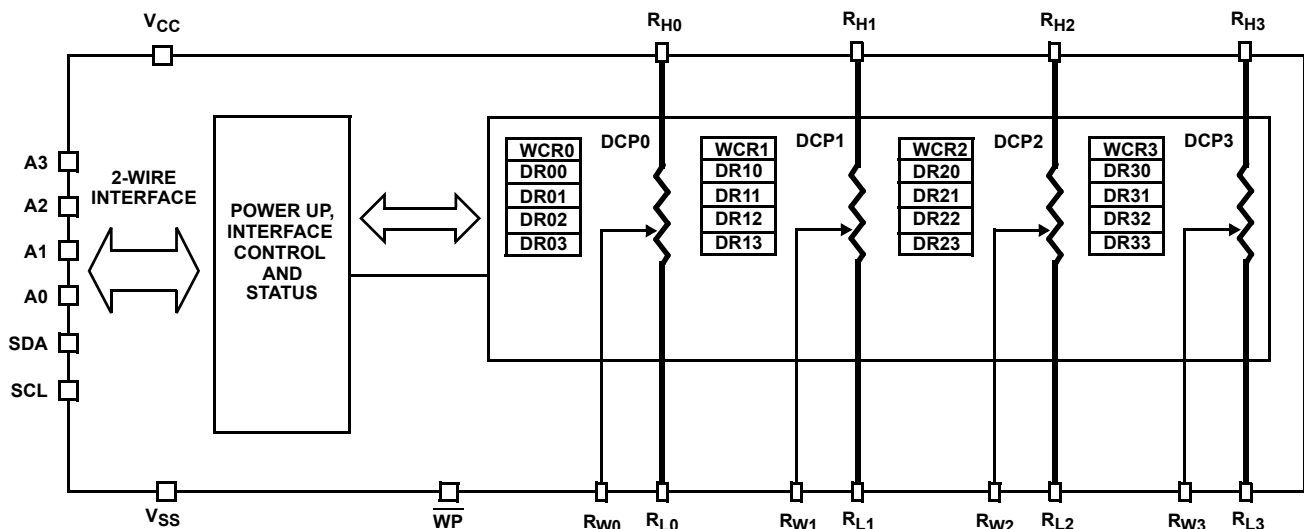
The digitally controlled potentiometers are implemented with a combination of resistor elements and CMOS switches. The position of the wipers are controlled by the user through the 2-wire bus interface. Each potentiometer has associated with it a volatile Wiper Counter Register (WCR) and four nonvolatile Data Registers that can be directly written to and read by the user. The content of the WCR controls the position of the wiper. At power-up, the device recalls the content of the default Data Registers of each DCP (DR00, DR10, DR20, and DR30) to the corresponding WCR.

The XDCP can be used as a three-terminal potentiometer or as a two-terminal variable resistor in a wide variety of applications including control, parameter adjustments, and signal processing.

Features

- Four separate potentiometers in one package
- 256 resistor taps–0.4% resolution
- 2-wire serial interface for write, read, and transfer operations of the potentiometer
- Wiper resistance: 100Ω typical at V_{CC} = 5V
- 4 nonvolatile data registers for each potentiometer
- Nonvolatile storage of multiple wiper positions
- Standby current <5μA max
- V_{CC}: 2.7V to 5.5V operation
- 50kΩ version of total resistance
- Endurance: 100,000 data changes per bit per register
- 100 year data retention
- Single supply version of X9258
- 24 Ld SOIC, 24 Ld TSSOP
- Low power CMOS
- Pb-Free (RoHS compliant)

Functional Diagram



Ordering Information

| PART NUMBER (Notes 1, 3) | PART MARKING | V _{CC} LIMITS (V) | R _{TOTAL} (kΩ) | TEMP RANGE (°C) | PACKAGE (RoHS Compliant) | PKG. DWG. # |
|-----------------------------|--------------|-------------------------------|----------------------------|--------------------|-----------------------------|----------------|
| X9259US24Z (Note 2) | X9259US Z | 5 ±10% | 50 | 0 to +70 | 24 Ld SOIC | M24.3 |
| X9259UV24Z | X9259UV Z | | | 0 to +70 | 24 Ld TSSOP | M24.173 |
| X9259US24IZ (Note 2) | X9259US ZI | | | -40 to +85 | 24 Ld SOIC | M24.3 |
| X9259UV24IZ (Note 2) | X9259UV ZI | | | -40 to +85 | 24 Ld TSSOP | M24.173 |
| X9259US24Z-2.7 (Note 2) | X9259US ZF | 2.7 to 5.5 | 50 | 0 to +70 | 24 Ld SOIC | M24.3 |
| X9259US24IZ-2.7 (Note 2) | X9259US ZG | | | -40 to +85 | 24 Ld SOIC | M24.3 |
| X9259UV24Z-2.7 | X9259UV ZF | | | 0 to +70 | 24 Ld TSSOP | M24.173 |
| X9259UV24IZ-2.7 (Note 2) | X9259UV ZG | | | -40 to +85 | 24 Ld TSSOP | M24.173 |

NOTES:

- Intersil Pb-free plus anneal products employ special Pb-free material sets; molding compounds/die attach materials and 100% matte tin plate termination finish, which are RoHS compliant and compatible with both SnPb and Pb-free soldering operations. Intersil Pb-free products are MSL classified at Pb-free peak reflow temperatures that meet or exceed the Pb-free requirements of IPC/JEDEC J STD-020.
- Add "T1" suffix for tape and reel.
- For Moisture Sensitivity Level (MSL), please see product information page for [X9259](#). For more information on MSL, please see tech brief [TB363](#).

Circuit Level Applications

- Vary the gain of a voltage amplifier
- Provide programmable DC reference voltages for comparators and detectors
- Control the volume in audio circuits
- Trim out the offset voltage error in a voltage amplifier circuit
- Set the output voltage of a voltage regulator
- Trim the resistance in Wheatstone bridge circuits
- Control the gain, characteristic frequency and Q-factor in filter circuits
- Set the scale factor and zero point in sensor signal conditioning circuits
- Vary the frequency and duty cycle of timer ICs
- Vary the DC biasing of a pin diode attenuator in RF circuits
- Provide a control variable (I, V, or R) in feedback circuits

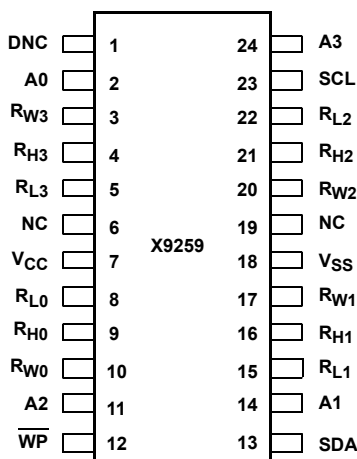
System Level Applications

- Adjust the contrast in LCD displays
- Control the power level of LED transmitters in communication systems
- Set and regulate the DC biasing point in an RF power amplifier in wireless systems
- Control the gain in audio and home entertainment systems
- Provide the variable DC bias for tuners in RF wireless systems
- Set the operating points in temperature control systems
- Control the operating point for sensors in industrial systems
- Trim offset and gain errors in artificial intelligent systems

X9259

Pin Configuration

X9259
24 LD SOIC/TSSOP
TOP VIEW



Pin Descriptions

| PIN # | PIN NAME | DESCRIPTION |
|-------|-----------------|--|
| 2 | A0 | Device Address for 2-wire bus. (See Note 4) |
| 3 | R _{W3} | Wiper Terminal of DCP3 |
| 4 | R _{H3} | High Terminal of DCP3 |
| 5 | R _{L3} | Low Terminal of DCP3 |
| 7 | V _{CC} | System Supply Voltage |
| 8 | R _{L0} | Low Terminal of DCP0 |
| 9 | R _{H0} | High Terminal of DCP0 |
| 10 | R _{W0} | Wiper Terminal of DCP0 |
| 11 | A2 | Device Address for 2-wire bus. (See Note 4) |
| 12 | \overline{WP} | Hardware Write Protect - Active Low |
| 13 | SDA | Serial Data Input/Output for 2-wire bus. |
| 14 | A1 | Device Address for 2-wire bus. (See Note 4) |
| 15 | R _{L1} | Low Terminal of DCP1 |
| 16 | R _{H1} | High Terminal of DCP1 |
| 17 | R _{W1} | Wiper Terminal of DCP1 |
| 18 | V _{SS} | System Ground |
| 20 | R _{W2} | Wiper Terminal of DCP2 |
| 21 | R _{H2} | High Terminal of DCP2 |
| 22 | R _{L2} | Low Terminal of DCP2 |
| 23 | SCL | Serial Clock for 2-wire bus. |
| 24 | A3 | Device Address for 2-wire bus. (See Note 4) |
| 6, 19 | NC | No Connect |
| 1 | DNC | Do Not Connect |

NOTE:

- A0 through A3 Device address pins must be tied to a logic level.

Functional Pin Descriptions

Bus Interface Pins

SERIAL DATA INPUT/OUTPUT (SDA)

The SDA is a bidirectional serial data input/output pin for a 2-wire slave device and is used to transfer data into and out of the device. It receives device address, opcode, wiper register address and data sent from a 2-wire master at the rising edge of the serial clock SCL, and it shifts out data after each falling edge of the serial clock SCL.

It is an open-drain output and may be wire-ORed with any number of open drain or open collector outputs. An open-drain output requires the use of a pull-up resistor.

SERIAL CLOCK (SCL)

This input is used by a 2-wire master to supply a 2-wire serial clock to the X9259.

DEVICE ADDRESS (A3 THROUGH A0)

The Address inputs are used to set the least significant 4 bits of the 8-bit slave address. A match in the slave address serial data stream must be made with the address input in order to initiate communication with the X9259. A maximum of 16 devices may occupy the 2-wire serial bus. Device pins A3 through A0 must be tied to a logic level, which specifies the external address of the device, see [Figures 3, 4, and 5](#).

Potentiometer Pins

R_H, R_L

The R_H and R_L pins are equivalent to the terminal connections on a mechanical potentiometer. Since there are 4 potentiometers, there are 4 sets of R_H and R_L such that R_{H0} and R_{L0} are the terminals of DCP0 and so on.

R_W

The wiper pin are equivalent to the wiper terminal of a mechanical potentiometer. Since there are 4 potentiometers, there are 4 sets of R_W such that R_{W0} is the terminal of DCP0 and so on.

Bias Supply Pins

SYSTEM SUPPLY VOLTAGE (V_{CC}) AND SUPPLY GROUND (V_{SS})

The V_{CC} pin is the system supply voltage. The V_{SS} pin is the system ground.

Other Pins

NO CONNECT

No connect pins should be left open. These pins are used for Intersil manufacturing and testing purposes.

HARDWARE WRITE PROTECT INPUT (\overline{WP})

The \overline{WP} pin when LOW, prevents nonvolatile writes to the Data Registers.

One of Four Potentiometers

#: 0, 1, 2, or 3

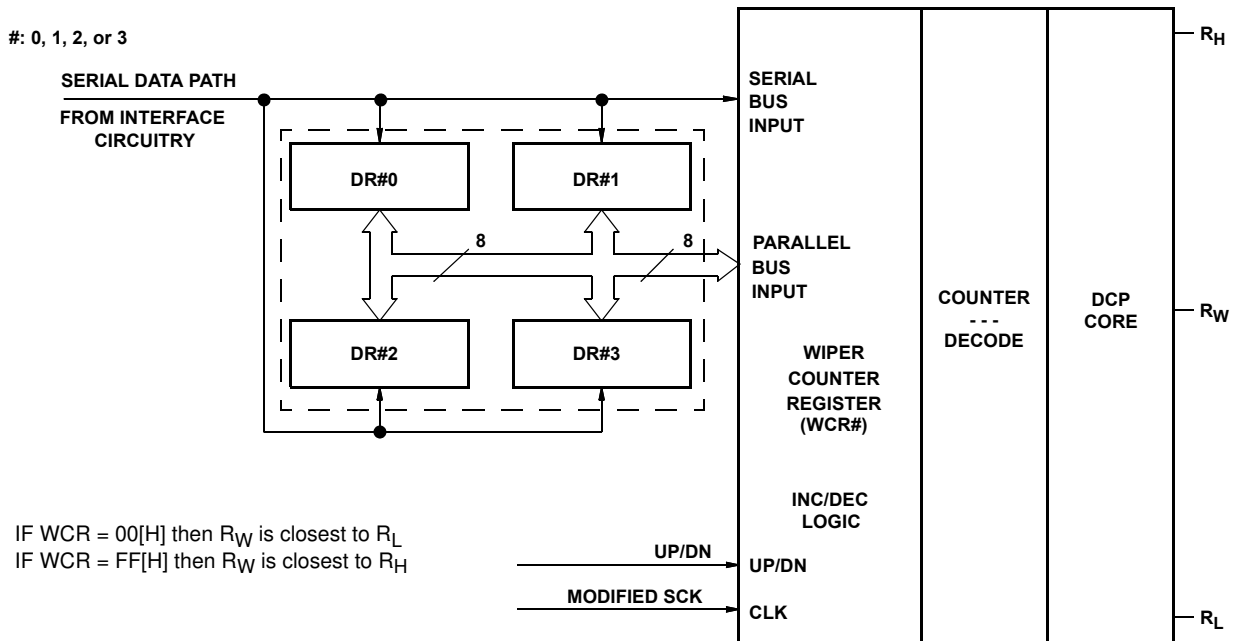


FIGURE 1. DETAILED POTENTIOMETER BLOCK DIAGRAM

Principles of Operation

The X9259 is an integrated circuit incorporating four DCPs and their associated registers and counters, and the serial interface providing direct communication between a host and the potentiometers.

DCP Description

Each DCP is implemented with a combination of resistor elements and CMOS switches. The physical ends of each DCP are equivalent to the fixed terminals of a mechanical potentiometer (R_H and R_L pins). The RW pin is an intermediate node, equivalent to the wiper terminal of a mechanical potentiometer.

The position of the wiper terminal within the DCP is controlled by an 8-bit volatile Wiper Counter Register (WCR).

Power Up and Down Recommendations

There are no restrictions on the power-up or power-down conditions of V_{CC} and the voltages applied to the potentiometer pins provided that V_{CC} is always more positive than or equal to V_H , V_L , and V_W , i.e., $V_{CC} \geq V_H, V_L, V_W$. The V_{CC} ramp rate specification is always in effect.

Wiper Counter Register (WCR)

The X9259 contains four Wiper Counter Registers, one for each potentiometer. The Wiper Counter Register can be envisioned as a 8-bit parallel and serial load counter with its outputs decoded to select one of 256 wiper positions along its resistor array. The contents of the WCR can be altered in four ways: it may be written directly by the host via the Write Wiper Counter Register instruction (serial load); it may be written indirectly by

transferring the contents of one of four associated data registers via the XFR Data Register instruction (parallel load); it can be modified one step at a time by the Increment/Decrement instruction (see "Instructions" section on page 8 for more details). Finally, it is loaded with the contents of its data register zero (DR#0) upon power-up, (see Figure 1 on page 4).

The Wiper Counter Register is a volatile register; that is, its contents are lost when the X9259 is powered-down. Although the register is automatically loaded with the value in DR#0 upon power-up, this may be different from the value present at power-down. Power-up guidelines are recommended to ensure proper loadings of the DR#0 value into the WCR# (see AN162).

Data Registers (DR)

Each of the four DCPs has four 8-bit nonvolatile Data Registers. These can be read or written directly by the host. Data can also be transferred between any of the four data registers and the associated Wiper Counter Register. All operations changing data in one of the data registers is a nonvolatile operation and takes a maximum of 10ms.

If the application does not require storage of multiple settings for the potentiometer, the Data Registers can be used as regular memory locations for system parameters or user preference data.

Bit [7:0] are used to store one of the 256 wiper positions (0 ~ 255).

TABLE 1. WIPER COUNTER REGISTER, WCR (8-BIT), WCR[7:0]: USED TO STORE THE CURRENT WIPER POSITION (VOLATILE).

| WCR7 | WCR6 | WCR5 | WCR4 | WCR3 | WCR2 | WCR1 | WCR0 |
|-------|------|------|------|------|------|------|-------|
| (MSB) | | | | | | | (LSB) |

TABLE 2. DATA REGISTER, DR (8-BIT), BIT [7:0]: USED TO STORE WIPER POSITIONS OR DATA (NONVOLATILE).

| BIT 7 | BIT 6 | BIT 5 | BIT 4 | BIT 3 | BIT 2 | BIT 1 | BIT 0 |
|-------|-------|-------|-------|-------|-------|-------|-------|
| (MSB) | | | | | | | (LSB) |

Serial Interface

The X9259 supports a bidirectional bus oriented protocol. The protocol defines any device that sends data onto the bus as a transmitter and the receiving device as the receiver. The device controlling the transfer is a master and the device being controlled is the slave. The master always initiates data transfers and provide the clock for both transmit and receive operations. Therefore, the X9259 operates as a slave device in all applications.

All 2-wire interface operations must begin with a START, followed by an Identification Byte, that selects the X9259. All communication over the 2-wire interface is conducted by sending the MSB of each byte of data first.

Clock and Data Conventions

Data states on the SDA line can change only during SCL LOW periods. SDA state changes during SCL HIGH are reserved for indicating START and STOP conditions (see [Figure 2](#)). On power-up of the X9259, the SDA pin is in the input mode.

START Condition

All commands to the X9259 are preceded by the start condition, which is a HIGH to LOW transition of SDA while SCL is HIGH. The X9259 continuously monitors the SDA and SCL lines for the START condition and does not respond to any command until this condition is met (see [Figure 2](#)).

STOP Condition

All communications must be terminated by a STOP condition, which is a LOW to HIGH transition of SDA while SCL is HIGH, (see [Figure 2](#)). The STOP condition is also used to place the device into the Standby Power mode after a Read sequence. A STOP

condition can only be issued after the transmitting device has released the bus.

Acknowledge

An ACK, Acknowledge, is a software convention used to indicate a successful data transfer. The transmitting device, either master or slave, releases the SDA bus after transmitting eight bits. During the ninth clock cycle, the receiver pulls the SDA line LOW to acknowledge the reception of the eight bits of data, (see [Figure 3](#)).

The X9259 responds with an ACK after recognition of a START condition followed by a valid Identification Byte, and once again after successful receipt of an Instruction Byte. The X9259 also responds with an ACK after receiving a Data Byte after a Write Instruction.

A valid Identification Byte contains the Device Type Identifier 0101, as the four MSBs, and the Device Address bits matching the logic states of pins A3, A2, A1, and A0, as the four LSBs (see [Figure 4 on page 8](#)).

In the Read mode, the device transmits eight bits of data, releases the SDA line, and then monitors the line for an ACK. The device continues transmitting data if an ACK is detected. The device terminates further data transmissions if an ACK is not detected. The master must then issue a STOP condition to place the device into a known state.

During the internal nonvolatile Write operation, the X9259 ignores the inputs at SDA and SCL, and does not issue an ACK after Identification bytes.

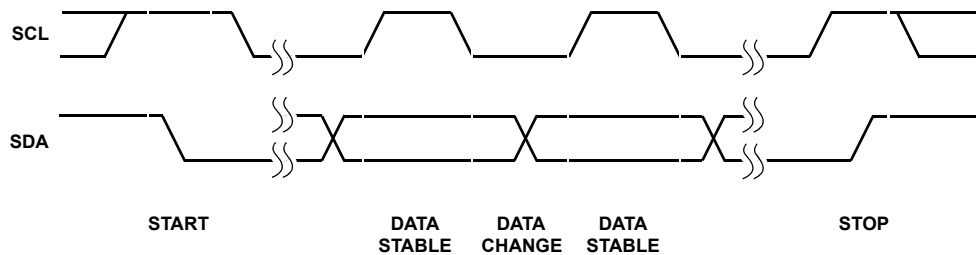


FIGURE 2. VALID DATA CHANGES, START, AND STOP CONDITIONS

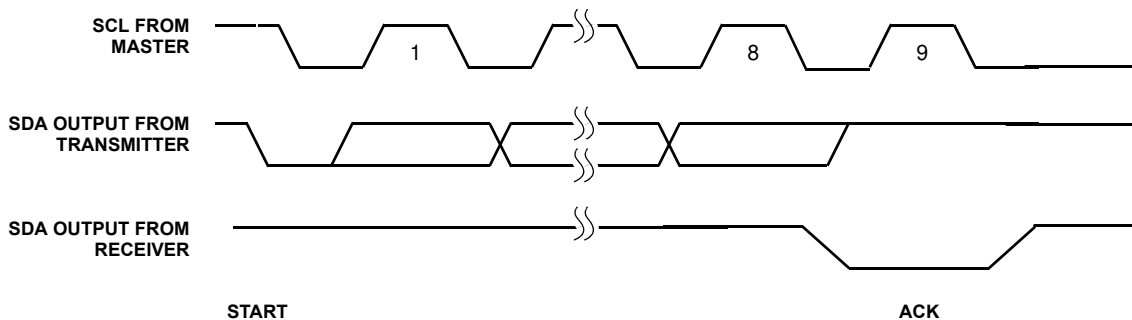


FIGURE 3. ACKNOWLEDGE RESPONSE FROM RECEIVER

X9259

Identification Byte

The first byte sent to the X9259 from the host is called the Identification Byte. The most significant four bits are a Device Type Identifier, ID[3:0] bits, which must be 0101. Refer to [Table 3](#).

Only the device which Slave Address matches the incoming device address sent by the master executes the instruction. The A3 - A0 inputs can be actively driven by CMOS input signals or tied to V_{CC} or V_{SS}.

INSTRUCTION BYTE (I)

The next byte sent to the X9259 contains the instruction and register pointer information. The four most significant bits are used to provide the instruction opcode I [3:0]. The RB and RA bits point to one of the four data registers of each associated XDCP.

The least two significant bits point to one of four Wiper Counter Registers or DCPs. The format is shown in [Table 4](#).

Data Register Selection

| REGISTER | RB | RA |
|------------------|----|----|
| DR#0 | 0 | 0 |
| DR#1 | 0 | 1 |
| DR#2 | 1 | 0 |
| DR#3 | 1 | 1 |
| #: 0, 1, 2, or 3 | | |

The least significant four bits of the Identification Byte are the Slave Address bits, AD[3:0]. To access the X9259, these four bits must match the logic values of pins A3, A2, A1, and A0.

TABLE 3. IDENTIFICATION BYTE FORMAT

| DEVICE TYPE IDENTIFIER | | | | SLAVE ADDRESS | | | |
|------------------------|-----|-----|-----|--|----|----|-------|
| ID3 | ID2 | ID1 | ID0 | A3 | A2 | A1 | A0 |
| 0 | 1 | 0 | 1 | Logic value of pins A3, A2, A1, and A0 | | | |
| (MSB) | | | | | | | (LSB) |

TABLE 4. INSTRUCTION BYTE FORMAT

| INSTRUCTION OPCODE | | | | REGISTER SELECTION | | DCP SELECTION (WCR SELECTION) | |
|--------------------|----|----|----|--------------------|----|-------------------------------|-------|
| I3 | I2 | I1 | I0 | RB | RA | P1 | P0 |
| (MSB) | | | | | | | (LSB) |

TABLE 5. INSTRUCTION SET

| INSTRUCTION | INSTRUCTION SET | | | | | | | | OPERATION |
|--|-----------------|----|----|----|-----|-----|-----|-----|---|
| | I3 | I2 | I1 | I0 | RB | RA | P1 | P0 | |
| Read Wiper Counter Register | 1 | 0 | 0 | 1 | 0 | 0 | 1/0 | 1/0 | Read the contents of the Wiper Counter Register pointed to by P1 - P0 |
| Write Wiper Counter Register | 1 | 0 | 1 | 0 | 0 | 0 | 1/0 | 1/0 | Write new value to the Wiper Counter Register pointed to by P1 - P0 |
| Read Data Register | 1 | 0 | 1 | 1 | 1/0 | 1/0 | 1/0 | 1/0 | Read the contents of the Data Register pointed to by P1 - P0 and RB - RA |
| Write Data Register | 1 | 1 | 0 | 0 | 1/0 | 1/0 | 1/0 | 1/0 | Write new value to the Data Register pointed to by P1 - P0 and RB - RA |
| XFR Data Register to Wiper Counter Register | 1 | 1 | 0 | 1 | 1/0 | 1/0 | 1/0 | 1/0 | Transfer the contents of the Data Register pointed to by P1 - P0 and RB - RA to its associated Wiper Counter Register |
| XFR Wiper Counter Register to Data Register | 1 | 1 | 1 | 0 | 1/0 | 1/0 | 1/0 | 1/0 | Transfer the contents of the Wiper Counter Register pointed to by P1 - P0 to the Data Register pointed to by RB - RA |
| Global XFR Data Registers to Wiper Counter Registers | 0 | 0 | 0 | 1 | 1/0 | 1/0 | 0 | 0 | Transfer the contents of the Data Registers pointed to by RB - RA of all four pots to their respective Wiper Counter Registers |
| Global XFR Wiper Counter Registers to Data Register | 1 | 0 | 0 | 0 | 1/0 | 1/0 | 0 | 0 | Transfer the contents of both Wiper Counter Registers to their respective data Registers pointed to by RB - RA of all four DCPs |
| Increment/Decrement Wiper Counter Register | 0 | 0 | 1 | 0 | 0 | 0 | 1/0 | 1/0 | Enable Increment/decrement of the Control Latch pointed to by P1 - P0 |

NOTE: 1/0 = data is one or zero

Instructions

Four of the nine instructions are three bytes in length. These instructions are:

- **Read Wiper Counter Register** – read the current wiper position of the selected potentiometer.
- **Write Wiper Counter Register** – change current wiper position of the selected potentiometer.
- **Read Data Register** – read the contents of the selected Data Register.
- **Write Data Register** – write a new value to the selected Data Register.

The basic sequence of the three byte instructions is illustrated in [Figure 5](#). These three-byte instructions exchange data between the WCR and one of the Data Registers. A transfer from a Data Register to a WCR is essentially a write to a static RAM, with the static RAM controlling the wiper position. The response of the wiper to this action is delayed by t_{WRL} . A transfer from the WCR (current wiper position), to a Data Register is a write to nonvolatile memory and takes a minimum of t_{WR} to complete. The transfer can occur between one of the four potentiometer's WCR, and one of its associated registers, DRs; or it may occur globally, where the transfer occurs between all potentiometers and one associated register.

Four instructions require a two-byte sequence to complete. These instructions transfer data between the host and the X9259; either between the host and one of the data registers or directly

between the host and the Wiper Counter Register. These instructions are:

- **XFR Data Register to Wiper Counter Register** – This transfers the contents of one specified Data Register to the associated Wiper Counter Register.
- **XFR Wiper Counter Register to Data Register** – This transfers the contents of the specified Wiper Counter Register to the specified associated Data Register.
- **Global XFR Data Register to Wiper Counter Register** – This transfers the contents of all specified Data Registers to the associated Wiper Counter Registers.
- **Global XFR Wiper Counter Register to Data Register** – This transfers the contents of all Wiper Counter Registers to the specified associated Data Registers.

Increment/Decrement Command

The final command is Increment/Decrement ([Figures 6 and 7](#)). The Increment/Decrement command is different from the other commands. Once the command is issued and the X9259 has responded with an Acknowledge, the master can clock the selected wiper up and/or down in one segment steps; thereby, providing a fine tuning capability to the host. For each SCL clock pulse (t_{HIGH}) while SDA is HIGH, the selected wiper moves one wiper position towards the R_H terminal. Similarly, for each SCL clock pulse while SDA is LOW, the selected wiper moves one resistor wiper position towards the R_L terminal.

See [“Instruction Format” on page 10](#) for more details.

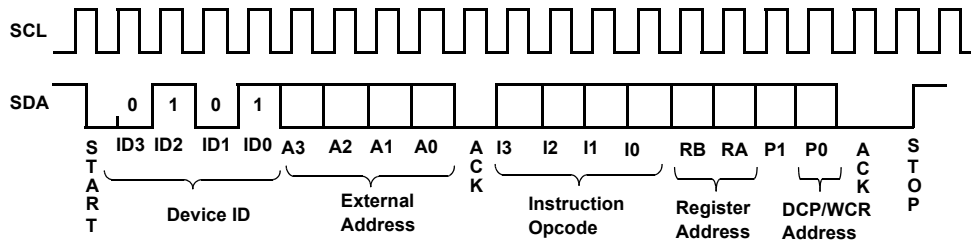


FIGURE 4. TWO-BYTE INSTRUCTION SEQUENCE

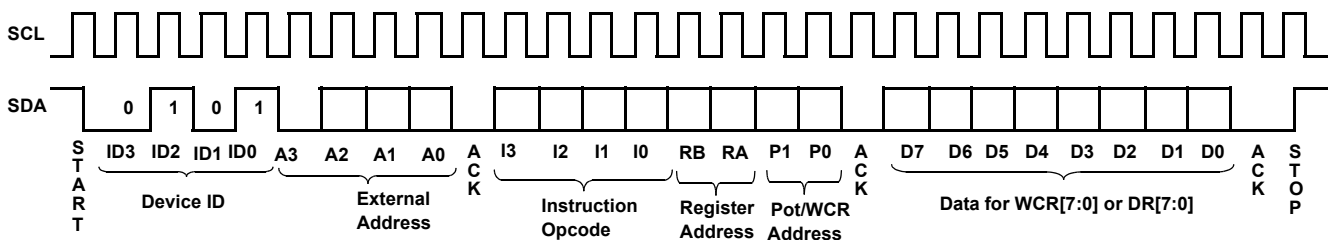


FIGURE 5. THREE-BYTE INSTRUCTION SEQUENCE 2-WIRE INTERFACE

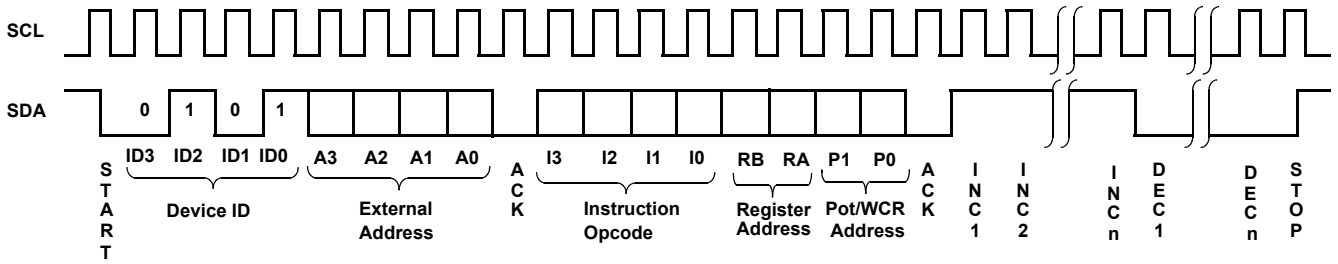


FIGURE 6. INCREMENT/DECREMENT INSTRUCTION SEQUENCE 2-WIRE INTERFACE

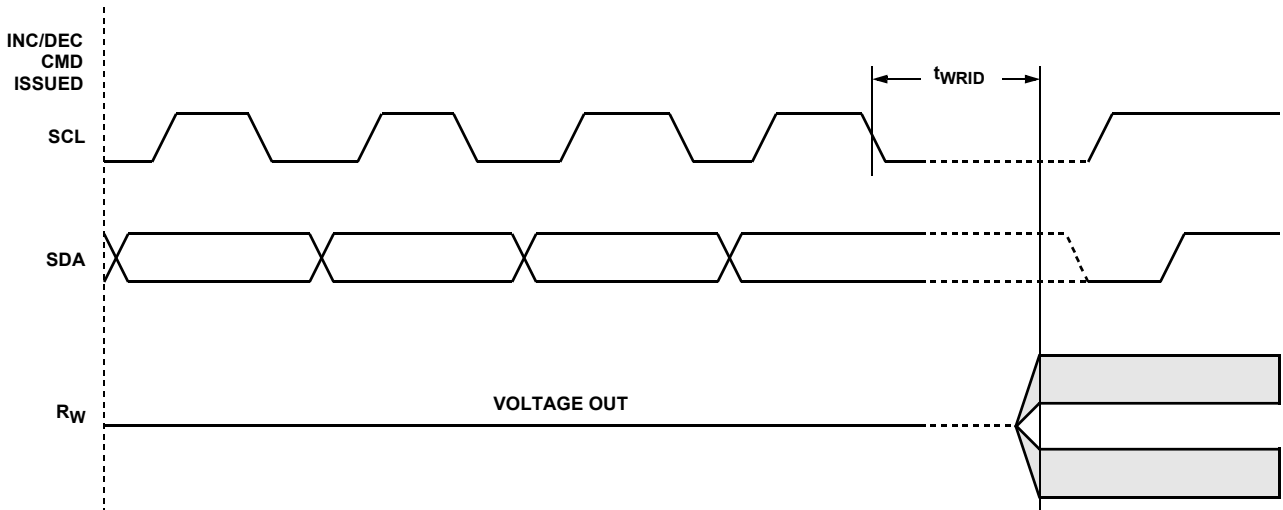


FIGURE 7. INCREMENT/DECREMENT TIMING SPECIFICATION

Instruction Format

Read Wiper Counter Register (WCR)

| START | DEVICE TYPE IDENTIFIER | | | | DEVICE ADDRESSES | | | | SACK | INSTRUCTION OPCODE | | | | DR/WCR ADDRESSES | | | | SACK | WIPER POSITION (SENT BY X9259 ON SDA) | | | | | | | | MACK | STOP |
|-------|------------------------|---|---|---|------------------|----|----|----|------|--------------------|---|---|---|------------------|---|----|----|------|---------------------------------------|----|----|----|----|----|----|----|------|------|
| | 0 | 1 | 0 | 1 | A3 | A2 | A1 | A0 | | 1 | 0 | 0 | 1 | 0 | 0 | P1 | P0 | | W7 | W6 | W5 | W4 | W3 | W2 | W1 | W0 | | |
| | 0 | 1 | 0 | 1 | A3 | A2 | A1 | A0 | | 1 | 0 | 0 | 1 | 0 | 0 | P1 | P0 | | W7 | W6 | W5 | W4 | W3 | W2 | W1 | W0 | | |

Write Wiper Counter Register (WCR)

| START | DEVICE TYPE IDENTIFIER | | | | DEVICE ADDRESSES | | | | SACK | INSTRUCTION OPCODE | | | | DR/WCR ADDRESSES | | | | SACK | WIPER POSITION (SENT BY MASTER ON SDA) | | | | | | | | SACK | STOP |
|-------|------------------------|---|---|---|------------------|----|----|----|------|--------------------|---|---|---|------------------|---|----|----|------|--|----|----|----|----|----|----|----|------|------|
| | 0 | 1 | 0 | 1 | A3 | A2 | A1 | A0 | | 1 | 0 | 1 | 0 | 0 | 0 | P1 | P0 | | W7 | W6 | W5 | W4 | W3 | W2 | W1 | W0 | | |
| | 0 | 1 | 0 | 1 | A3 | A2 | A1 | A0 | | 1 | 0 | 1 | 0 | 0 | 0 | P1 | P0 | | W7 | W6 | W5 | W4 | W3 | W2 | W1 | W0 | | |

Read Data Register (DR)

| START | DEVICE TYPE IDENTIFIER | | | | DEVICE ADDRESSES | | | | SACK | INSTRUCTION OPCODE | | | | DR/WCR ADDRESSES | | | | SACK | WIPER POSITION (SENT BY X9259 ON SDA) | | | | | | | | MACK | STOP |
|-------|------------------------|---|---|---|------------------|----|----|----|------|--------------------|---|---|---|------------------|----|----|----|------|---------------------------------------|----|----|----|----|----|----|----|------|------|
| | 0 | 1 | 0 | 1 | A3 | A2 | A1 | A0 | | 1 | 0 | 1 | 1 | RB | RA | P1 | P0 | | W7 | W6 | W5 | W4 | W3 | W2 | W1 | W0 | | |
| | 0 | 1 | 0 | 1 | A3 | A2 | A1 | A0 | | 1 | 0 | 1 | 1 | RB | RA | P1 | P0 | | W7 | W6 | W5 | W4 | W3 | W2 | W1 | W0 | | |

Write Data Register (DR)

| START | DEVICE TYPE IDENTIFIER | | | | DEVICE ADDRESSES | | | | SACK | INSTRUCTION OPCODE | | | | DR/WCR ADDRESSES | | | | SACK | WIPER POSITION (SENT BY MASTER ON SDA) | | | | | | | | SACK | STOP | HIGH-VOLTAGE WRITE CYCLE |
|-------|------------------------|---|---|---|------------------|----|----|----|------|--------------------|---|---|---|------------------|----|----|----|------|--|----|----|----|----|----|----|----|------|------|--------------------------|
| | 0 | 1 | 0 | 1 | A3 | A2 | A1 | A0 | | 1 | 1 | 0 | 0 | RB | RA | P1 | P0 | | W7 | W6 | W5 | W4 | W3 | W2 | W1 | W0 | | | |
| | 0 | 1 | 0 | 1 | A3 | A2 | A1 | A0 | | 1 | 1 | 0 | 0 | RB | RA | P1 | P0 | | W7 | W6 | W5 | W4 | W3 | W2 | W1 | W0 | | | |

Global XFR Data Register (DR) to Wiper Counter Register (WCR)

| START | DEVICE TYPE IDENTIFIER | | | | DEVICE ADDRESSES | | | | SACK | INSTRUCTION OPCODE | | | | DR/WCR ADDRESSES | | | | SACK | STOP |
|-------|------------------------|---|---|---|------------------|----|----|----|------|--------------------|---|---|---|------------------|----|---|---|------|------|
| | 0 | 1 | 0 | 1 | A3 | A2 | A1 | A0 | | 0 | 0 | 0 | 1 | RB | RA | 0 | 0 | | |
| | 0 | 1 | 0 | 1 | A3 | A2 | A1 | A0 | | 0 | 0 | 0 | 1 | RB | RA | 0 | 0 | | |

Global XFR Wiper Counter Register (WCR) to Data Register (DR)

| START | DEVICE TYPE IDENTIFIER | | | | DEVICE ADDRESSES | | | | SACK | INSTRUCTION OPCODE | | | | DR/WCR ADDRESSES | | | | SACK | STOP | HIGH-VOLTAGE WRITE CYCLE |
|-------|------------------------|---|---|---|------------------|----|----|----|------|--------------------|---|---|---|------------------|----|---|---|------|------|--------------------------|
| | 0 | 1 | 0 | 1 | A3 | A2 | A1 | A0 | | 1 | 0 | 0 | 0 | RB | RA | 0 | 0 | | | |
| | 0 | 1 | 0 | 1 | A3 | A2 | A1 | A0 | | 1 | 0 | 0 | 0 | RB | RA | 0 | 0 | | | |

Transfer Wiper Counter Register (WCR) to Data Register (DR)

| S T A R T | DEVICE TYPE IDENTIFIER | | | | DEVICE ADDRESSES | | | | S A C K | INSTRUCTION OPCODE | | | | DR/WCR ADDRESSES | | | | S A C K | S T O P | HIGH-VOLTAGE WRITE CYCLE |
|-----------------------|------------------------|---|---|---|------------------|----|----|----|------------------|--------------------|---|---|---|------------------|----|----|----|------------------|------------------|--------------------------|
| | 0 | 1 | 0 | 1 | A3 | A2 | A1 | A0 | | 1 | 1 | 1 | 0 | RB | RA | P1 | P0 | | | |
| | 0 | 1 | 0 | 1 | A3 | A2 | A1 | A0 | | 1 | 1 | 1 | 0 | RB | RA | P1 | P0 | | | |

Transfer Data Register (DR) to Wiper Counter Register (WCR)

| S T A R T | DEVICE TYPE IDENTIFIER | | | | DEVICE ADDRESSES | | | | S A C K | INSTRUCTION OPCODE | | | | DR/WCR ADDRESSES | | | | S A C K | S T O P |
|-----------------------|------------------------|---|---|---|------------------|----|----|----|------------------|--------------------|---|---|---|------------------|----|----|----|------------------|------------------|
| | 0 | 1 | 0 | 1 | A3 | A2 | A1 | A0 | | 1 | 1 | 0 | 1 | RB | RA | P1 | P0 | | |
| | 0 | 1 | 0 | 1 | A3 | A2 | A1 | A0 | | 1 | 1 | 0 | 1 | RB | RA | P1 | P0 | | |

Increment/Decrement Wiper Counter Register (WCR)

| S T A R T | DEVICE TYPE IDENTIFIER | | | | DEVICE ADDRESSES | | | | S A C K | INSTRUCTION OPCODE | | | | DR/WCR ADDRESSES | | | | S A C K | INCREMENT/DECREMENT (SENT BY MASTER ON SDA) | | | | | | S T O P | | |
|-----------------------|------------------------|---|---|---|------------------|----|----|----|------------------|--------------------|---|---|---|------------------|---|----|----|------------------|---|-----|---|---|---|---|------------------|-----|-----|
| | 0 | 1 | 0 | 1 | A3 | A2 | A1 | A0 | | 0 | 0 | 1 | 0 | 0 | 0 | P1 | P0 | | I/D | I/D | . | . | . | . | | I/D | I/D |
| | 0 | 1 | 0 | 1 | A3 | A2 | A1 | A0 | | 0 | 0 | 1 | 0 | 0 | 0 | P1 | P0 | | I/D | I/D | . | . | . | . | I/D | I/D | |

NOTES:

5. "MACK"/"SACK": stands for the acknowledge sent by the Master/Slave.
6. "A3 ~ A0": stands for the device addresses sent by the master.
7. "X": indicates that it is a "0" for testing purpose but physically it is a "don't care" condition.
8. "I": stands for the increment operation, SDA held high during active SCL phase (high).
9. "D": stands for the decrement operation, SDA held low during active SCL phase (high).

X9259

Absolute Maximum Ratings

| | |
|---|-----------------|
| Temperature under bias | -65°C to +135°C |
| Storage temperature | -65°C to +150°C |
| Voltage on SCL, SDA, any address input, V _{CC} with respect to V _{SS} | -1V to +7V |
| $\Delta V = V_H - V_L $ | 5.5V |
| Lead temperature (soldering, 10 seconds) | 300°C |
| I _W (10 seconds) | ±6mA |

Recommended Operating Conditions

| | |
|--|----------------|
| Temperature (Commercial) | 0°C to +70°C |
| Temperature (Industrial) | -40°C to +85°C |
| Supply Voltage (V _{CC}) (Note 13) Limits | |
| X9259 | 5V ± 10% |
| X9259-2.7 | 2.7V to 5.5V |
| Wiper current | ±3mA |
| Power rating (each pot) | 50mW |
| Pb-Free Reflow Profile | see TB493 |

CAUTION: Do not operate at or near the maximum ratings listed for extended periods of time. Exposure to such conditions may adversely impact product reliability and result in failures not covered by warranty.

Analog Specifications Over recommended industrial (2.7V) operating conditions unless otherwise stated.

| SYMBOL | PARAMETER | TEST CONDITIONS | LIMITS | | | |
|--|---|---|-----------------|----------|-----------------|--------------|
| | | | MIN | TYP | MAX | UNITS |
| R _{TOTAL} | End-to-End Resistance | U version | | 50 | | kΩ |
| | End-to-End Resistance Tolerance | | | | ±20 | % |
| R _W | Wiper Resistance | $I_W = \frac{V(V_{CC})}{R_{TOTAL}}$ at V _{CC} = 3V | | | 300 | Ω |
| | | $I_W = \frac{V(V_{CC})}{R_{TOTAL}}$ at V _{CC} = 5V | | | 220 | Ω |
| V _{TERM} | Voltage on any R _H or R _L Pin | V _{SS} = 0V | V _{SS} | | V _{CC} | V |
| | Noise (Note 15) | Ref: 1V | | -120 | | dB/√Hz |
| | Resolution | | | 0.4 | | % |
| | Absolute Linearity (Note 10) | R _{w(n)(actual)} - R _{w(n)(expected)} (Note 14) | -1 | | +1 | MI (Note 12) |
| | Relative Linearity (Note 11) | R _{w(n+1)} - [R _{w(n)} + MI] (Note 14) | -0.6 | | +0.6 | MI (Note 12) |
| | Temperature Coefficient of R _{TOTAL} (Note 15) | | | ±300 | | ppm/°C |
| | Ratiometric Temp. Coefficient (Note 15) | | | ±20 | | ppm/°C |
| C _H /C _L /C _W | Potentiometer Capacitances (Note 15) | See SPICE Macromodel on page 14. | | 10/10/25 | | pF |

NOTES:

- Absolute linearity is utilized to determine actual wiper voltage versus expected voltage as determined by wiper position when used as a potentiometer.
- Relative linearity is utilized to determine the actual change in voltage between two successive tap positions when used as a potentiometer. It is a measure of the error in step size.
- MI = RTOT / 255 or (R_H - R_L) / 255, single pot
- During power up V_{CC} > V_H, V_L, and V_W.
- n = 0, 1, 2, ..., 255; m = 0, 1, 2, ..., 254.

X9259

DC Electrical Specifications Over the recommended operating conditions unless otherwise specified.

| SYMBOL | PARAMETER | TEST CONDITIONS | LIMITS | | | |
|------------------|--|--|-----------------------|-----|-----------------------|-------|
| | | | MIN | TYP | MAX | UNITS |
| I _{CC1} | V _{CC} supply current (active) | f _{SCL} = 400kHz; V _{CC} = +6V; SDA = Open; (for 2-Wire, Active, Read and Volatile Write States only) | | | 3 | mA |
| I _{CC2} | V _{CC} supply current (nonvolatile write) | f _{SCL} = 400kHz; V _{CC} = +6V; SDA = Open; (for 2-Wire, Active, Nonvolatile Write State only) | | | 5 | mA |
| I _{SB} | V _{CC} current (standby) | V _{CC} = +6V; V _{IN} = V _{SS} or V _{CC} ; SDA = V _{CC} ; (for 2-Wire, Standby State only) | | | 5 | μA |
| I _{LI} | Input leakage current | V _{IN} = V _{SS} to V _{CC} | | | 10 | μA |
| I _{LO} | Output leakage current | V _{OUT} = V _{SS} to V _{CC} | | | 10 | μA |
| V _{IH} | Input HIGH voltage | | V _{CC} × 0.7 | | | V |
| V _{IL} | Input LOW voltage | | | | V _{CC} × 0.3 | V |
| V _{OL} | Output LOW voltage | I _{OL} = 3mA | | | 0.4 | V |
| V _{OH} | Output HIGH voltage | I _{OH} = -1mA, V _{CC} ≥ +3V | V _{CC} - 0.8 | | | V |
| V _{OH} | Output HIGH voltage | I _{OH} = -0.4mA, V _{CC} ≤ +3V | V _{CC} - 0.4 | | | V |

Endurance and Data Retention

| PARAMETER | MIN | UNITS |
|-------------------|---------|-----------------------------------|
| Minimum endurance | 100,000 | Data changes per bit per register |
| Data retention | 100 | years |

Capacitance

| SYMBOL | TEST | MAX | UNITS | TEST CONDITIONS |
|-------------------------------|--|-----|-------|-----------------------|
| C _{IN/OUT} (Note 15) | Input / Output capacitance (SDA) | 8 | pF | V _{OUT} = 0V |
| C _{IN} (Note 15) | Input capacitance (SCL, \overline{WP} , A2, A1 and A0) | 6 | pF | V _{IN} = 0V |

Power-up Timing

| SYMBOL | PARAMETER | MIN | MAX | UNITS |
|------------------------------|---|-----|-----|-------|
| t _{r VCC} (Note 15) | V _{CC} Power-up rate | 0.2 | | V/ms |
| t _{PUR} (Note 16) | Power-up to initiation of read operation | | 1 | ms |
| t _{PUW} (Note 16) | Power-up to initiation of write operation | | 50 | ms |

AC Test Conditions

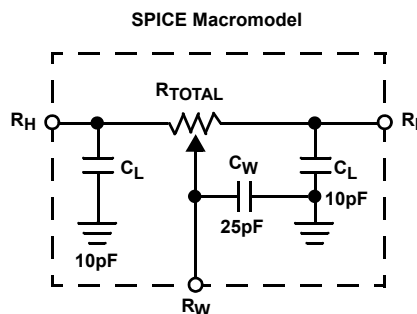
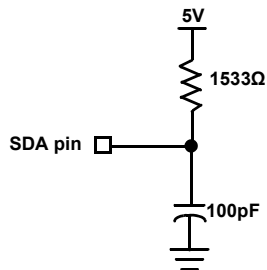
| | |
|-------------------------------|--|
| Input Pulse Levels | V _{CC} × 0.1 to V _{CC} × 0.9 |
| Input rise and fall times | 10ns |
| Input and output timing level | V _{CC} × 0.5 |

NOTES:

15. This parameter is not 100% tested

16. t_{PUR} and t_{PUW} are the delays required from the time the power supply (V_{CC}) is stable until the specific instruction can be issued. These parameters are periodically sampled and not 100% tested.

Equivalent AC Load Circuit



AC Timing

| SYMBOL | PARAMETER | MIN | MAX | UNITS |
|--------------|---|------|-----|---------|
| f_{SCL} | Clock Frequency | | 400 | kHz |
| t_{CYC} | Clock Cycle Time | 2500 | | ns |
| t_{HIGH} | Clock High Time | 600 | | ns |
| t_{LOW} | Clock Low Time | 1300 | | ns |
| $t_{SU:STA}$ | Start Setup Time | 600 | | ns |
| $t_{HD:STA}$ | Start Hold Time | 600 | | ns |
| $t_{SU:STO}$ | Stop Setup Time | 600 | | ns |
| $t_{SU:DAT}$ | SDA Data Input Setup Time | 100 | | ns |
| $t_{HD:DAT}$ | SDA Data Input Hold Time | 30 | | ns |
| t_R | SCL and SDA Rise Time | | 300 | ns |
| t_F | SCL and SDA Fall Time | | 300 | ns |
| t_{AA} | SCL Low to SDA Data Output Valid Time | | 0.9 | μ s |
| t_{DH} | SDA Data Output Hold Time | 0 | | ns |
| T_I | Noise Suppression Time Constant at SCL and SDA inputs | 50 | | ns |
| t_{BUF} | Bus Free Time (Prior to Any Transmission) | 1200 | | ns |
| $t_{SU:WPA}$ | A0, A1 Setup Time | 0 | | ns |
| $t_{HD:WPA}$ | A0, A1 Hold Time | 0 | | ns |

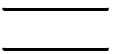


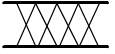
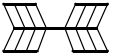
High-Voltage Write Cycle Timing

| SYMBOL | PARAMETER | TYP | MAX | UNITS |
|----------|--|-----|-----|-------|
| t_{WR} | High-voltage write cycle time (store instructions) | 5 | 10 | ms |

XDCP Timing

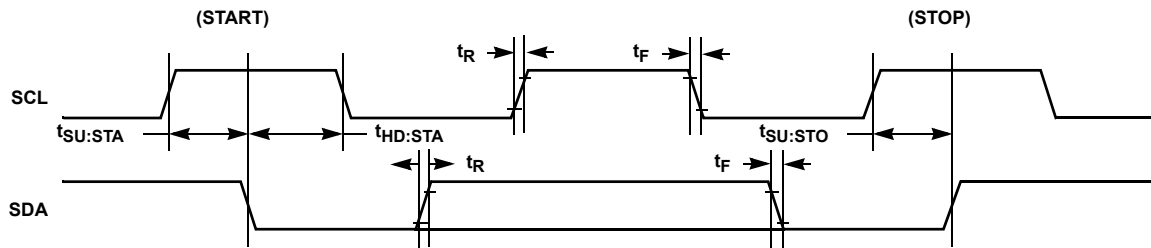
| SYMBOL | PARAMETER | MIN | MAX | UNITS |
|------------|--|-----|-----|---------|
| t_{WRPO} | Wiper response time after the third (last) power supply is stable | 5 | 10 | μ s |
| t_{WRL} | Wiper response time after instruction issued (all load instructions) | 5 | 10 | μ s |

Symbol Table

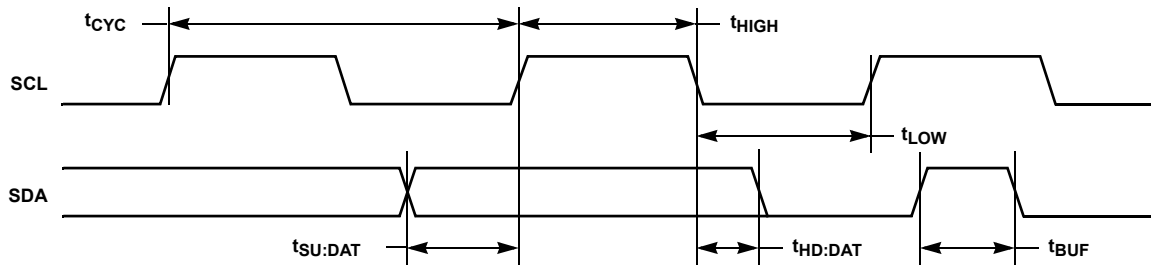
| WAVEFORM | INPUTS | OUTPUTS |
|---|-----------------------------|-------------------------------|
|  | Must be steady | Will be steady |
|  | May change from Low to High | Will change from Low to High |
|  | May change from High to Low | Will change from High to Low |
|  | Don't Care: Changes Allowed | Changing: State Not Known |
|  | N/A | Center Line is High Impedance |

Timing Diagrams

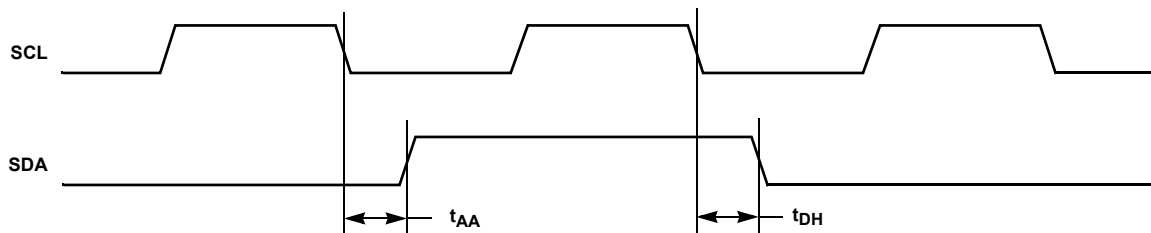
Start and Stop Timing



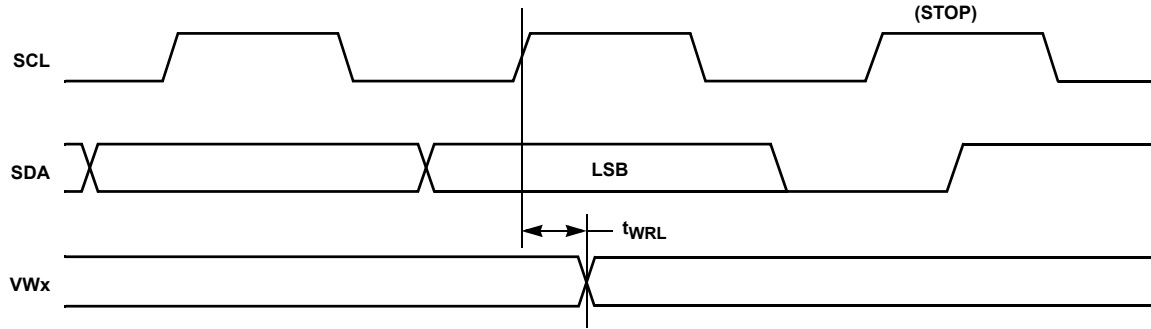
Input Timing



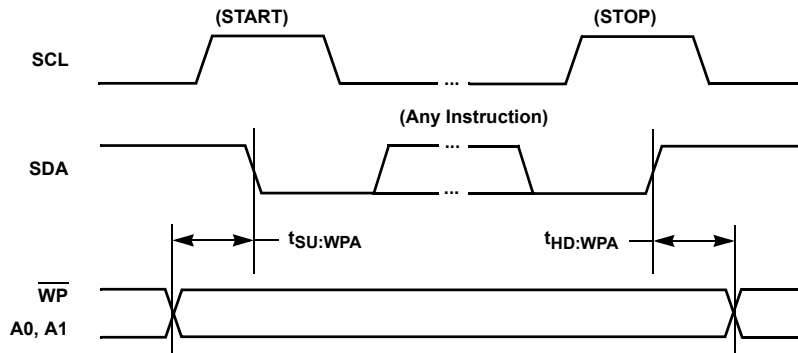
Output Timing



XDCP Timing (for All Load Instructions)

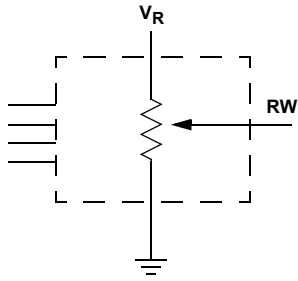


Write Protect and Device Address Pins Timing

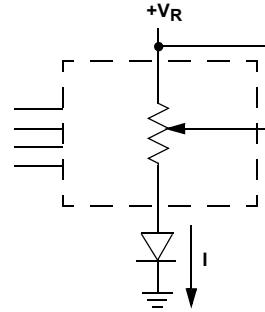


Applications Information

Basic Configurations of Electronic Potentiometers



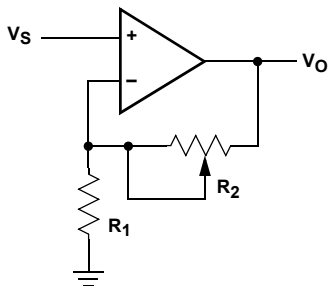
Three-terminal Potentiometer;
Variable voltage divider



Two-terminal Variable Resistor;
Variable current

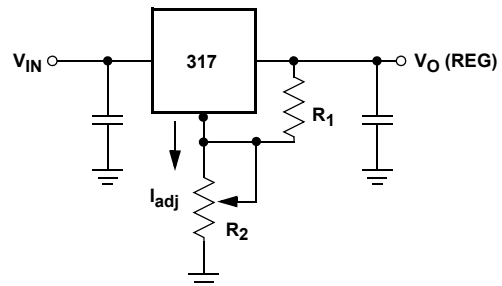
Application Circuits

Non inverting Amplifier



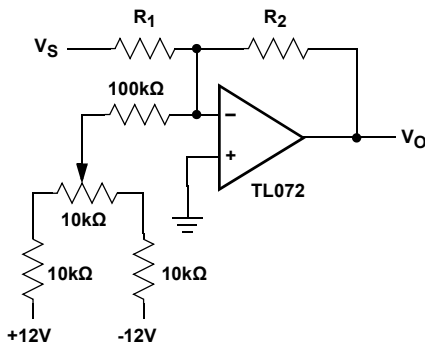
$$V_O = (1 + R_2/R_1)V_S$$

Voltage Regulator

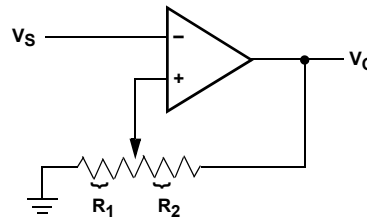


$$V_O (\text{REG}) = 1.25V (1 + R_2/R_1) + I_{\text{adj}} R_2$$

Offset Voltage Adjustment



Comparator with Hysteresis

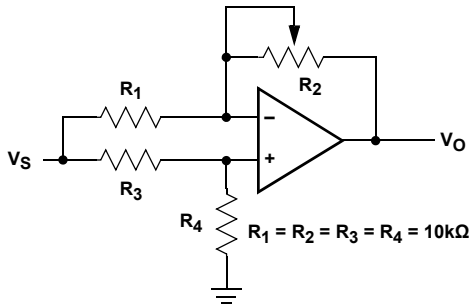


$$V_{UL} = \{R_1 / (R_1 + R_2)\} V_O (\text{max})$$

$$R_{LL} = \{R_1 / (R_1 + R_2)\} V_O (\text{min})$$

Application Circuits (continued)

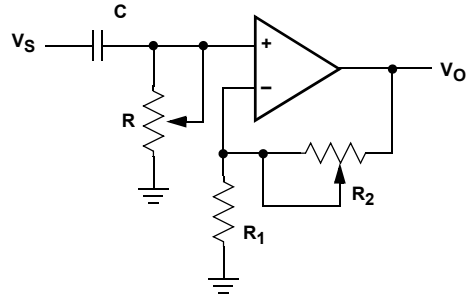
Attenuator



$V_0 = G V_S$
 $-1/2 \leq G \leq +1/2$

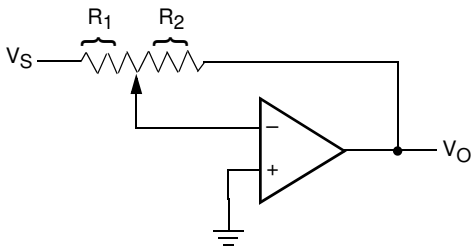
$R_1 = R_2 = R_3 = R_4 = 10k\Omega$

Filter



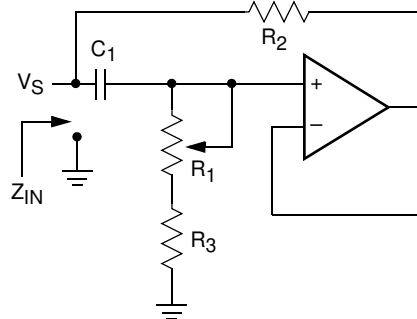
$G_0 = 1 + R_2/R_1$
 $f_c = 1/(2\pi RC)$

Inverting Amplifier



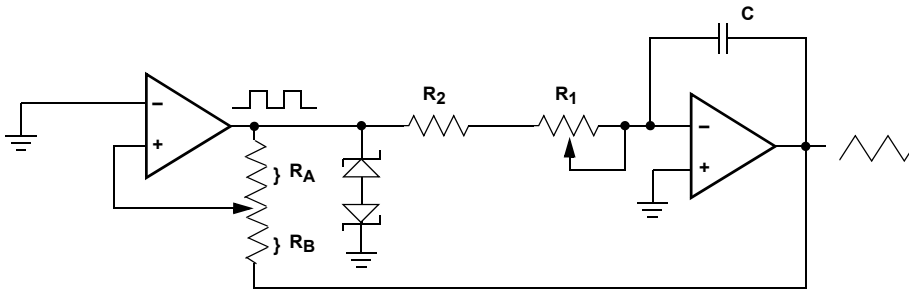
$V_0 = G V_S$
 $G = -R_2/R_1$

Equivalent L-R Circuit



$Z_{IN} = R_2 + s R_2 (R_1 + R_3) C_1 = R_2 + s L_{eq}$
 $(R_1 + R_3) \gg R_2$

Function Generator



frequency $\propto R_1, R_2, C$
 amplitude $\propto R_A, R_B$

Revision History

The revision history provided is for informational purposes only and is believed to be accurate, but not warranted. Please go to the web to make sure that you have the latest revision.

| DATE | REVISION | CHANGE |
|-------------------|----------|--|
| December 12, 2014 | FN8169.6 | Updated Datasheet to Intersil new standards. Updated Ordering Information Table on page 2, by removing obsoleted parts and 100kΩ referenced parts, adding Note 3 and changed TSSOP POD references from "MDP0044" to "M24.173". On page 3, in the Pin Descriptions table removed duplicate entry for Pin 6. Added Revision History and About Intersil Verbiage Updated M24.3 POD to the latest revision. - "Updated to new POD standard by removing table listing dimensions and putting dimensions on drawing. Added Land Pattern." Replaced MDP0044 POD with M24.173 POD to update to new format and only show 24LD version. |

About Intersil

Intersil Corporation is a leading provider of innovative power management and precision analog solutions. The company's products address some of the largest markets within the industrial and infrastructure, mobile computing and high-end consumer markets.

For the most updated datasheet, application notes, related documentation and related parts, please see the respective product information page found at www.intersil.com.

You may report errors or suggestions for improving this datasheet by visiting www.intersil.com/ask.

Reliability reports are also available from our website at www.intersil.com/support

For additional products, see www.intersil.com/en/products.html

Intersil products are manufactured, assembled and tested utilizing ISO9001 quality systems as noted in the quality certifications found at www.intersil.com/en/support/qualandreliability.html

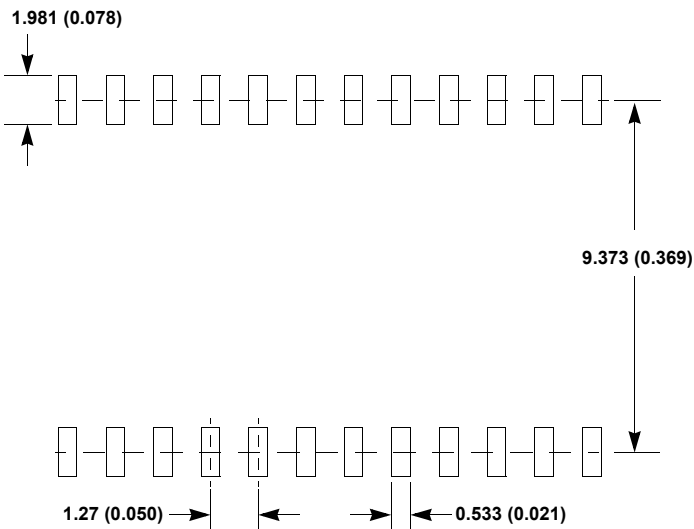
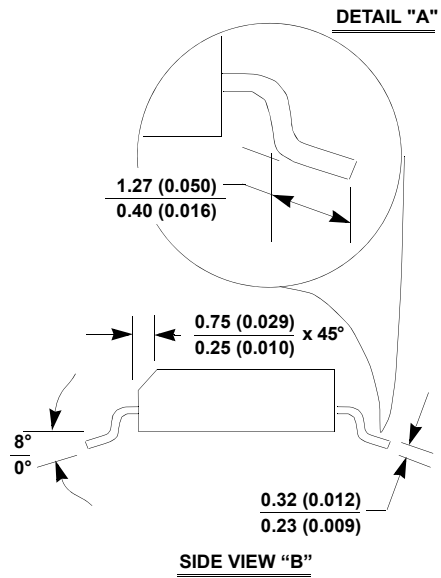
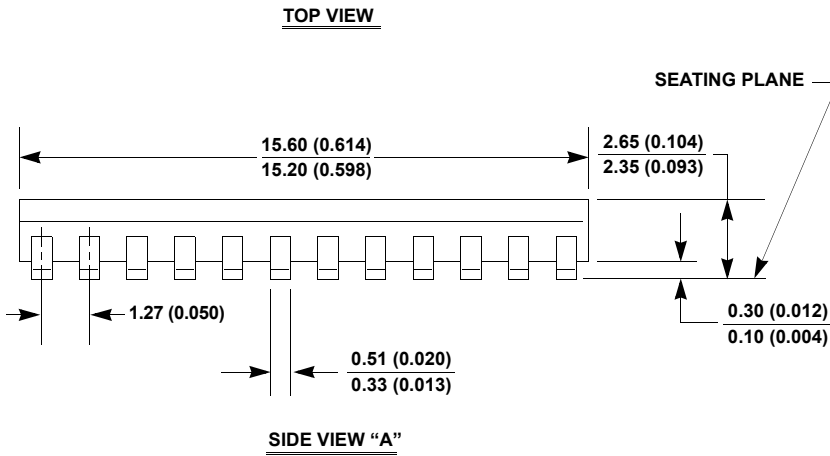
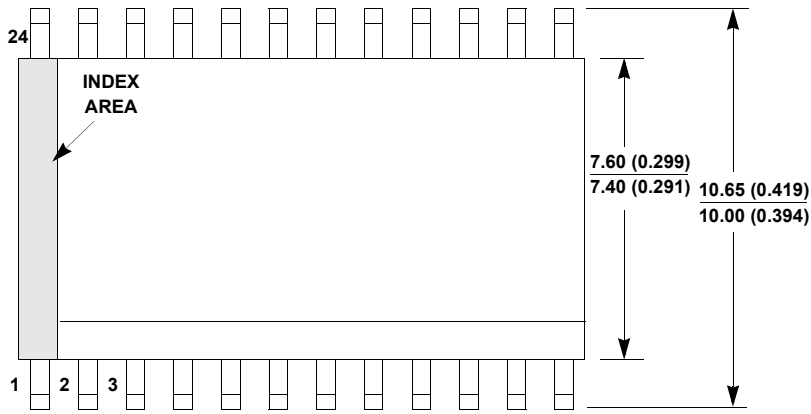
Intersil products are sold by description only. Intersil Corporation reserves the right to make changes in circuit design, software and/or specifications at any time without notice. Accordingly, the reader is cautioned to verify that data sheets are current before placing orders. Information furnished by Intersil is believed to be accurate and reliable. However, no responsibility is assumed by Intersil or its subsidiaries for its use; nor for any infringements of patents or other rights of third parties which may result from its use. No license is granted by implication or otherwise under any patent or patent rights of Intersil or its subsidiaries.

For information regarding Intersil Corporation and its products, see www.intersil.com

Package Outline Drawing M24.3

24 LEAD WIDE BODY SMALL OUTLINE PLASTIC PACKAGE (SOIC)

Rev 2, 3/11



NOTES:

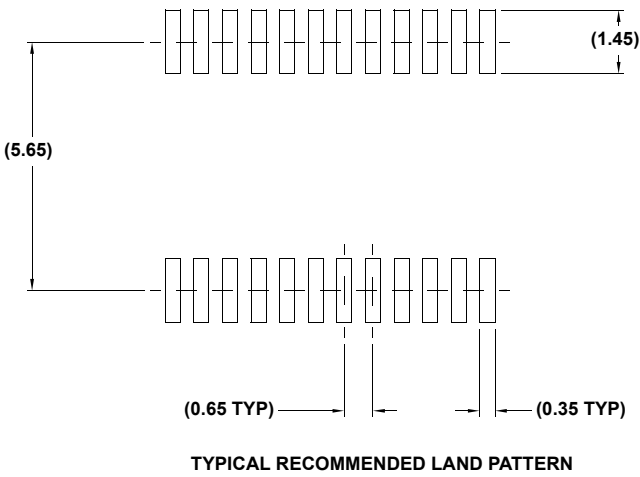
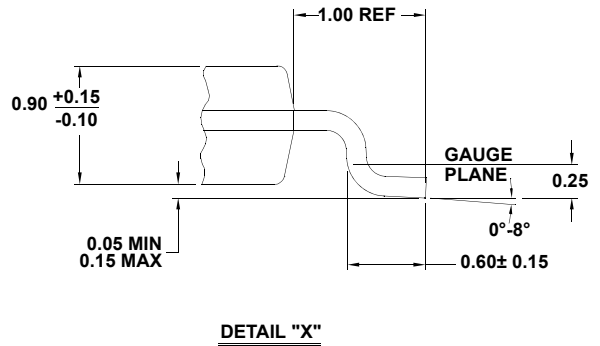
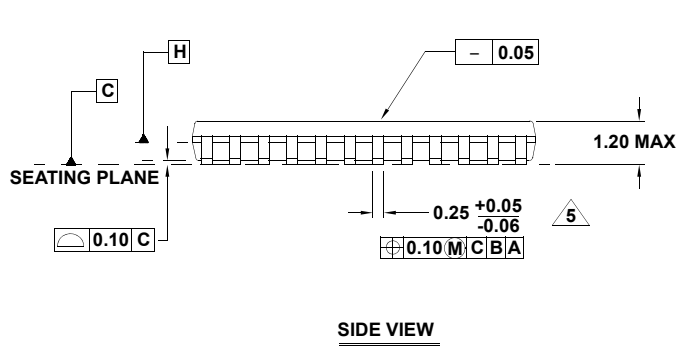
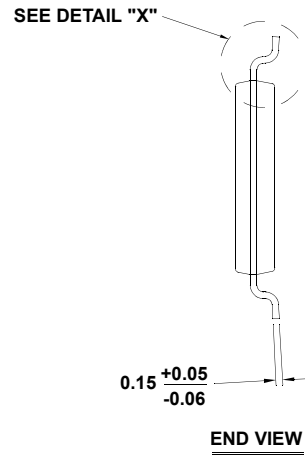
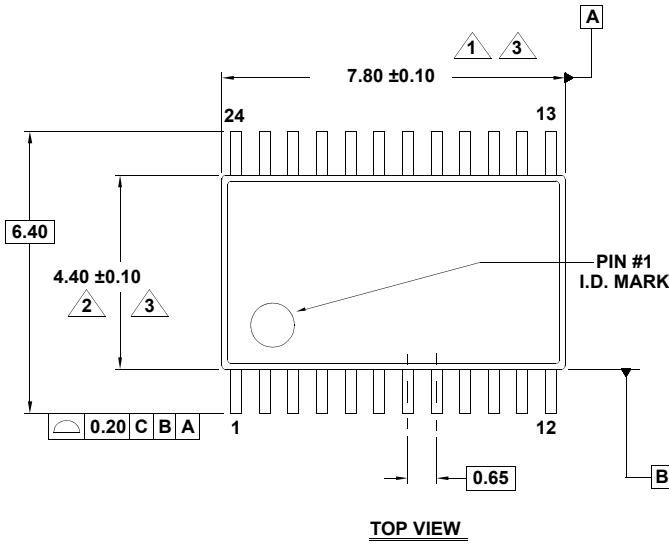
1. Dimensioning and tolerancing per ANSI Y14.5M-1982.
2. Package length does not include mold flash, protrusions or gate burrs. Mold flash, protrusion and gate burrs shall not exceed 0.15mm (0.006 inch) per side.
3. Package width does not include interlead flash or protrusions. Interlead flash and protrusions shall not exceed 0.25mm (0.010 inch) per side.
4. The chamfer on the body is optional. If it is not present, a visual index feature must be located within the crosshatched area.
5. Terminal numbers are shown for reference only.
6. The lead width as measured 0.36mm (0.014 inch) or greater above the seating plane, shall not exceed a maximum value of 0.61mm (0.024 inch).
7. Controlling dimension: MILLIMETER. Converted inch dimensions in () are not necessarily exact.
8. This outline conforms to JEDEC publication MS-013-AD ISSUE C.

Package Outline Drawing

M24.173

24 LEAD THIN SHRINK SMALL OUTLINE PACKAGE (TSSOP)

Rev 1, 5/10



NOTES:

1. Dimension does not include mold flash, protrusions or gate burrs. Mold flash, protrusions or gate burrs shall not exceed 0.15 per side.
2. Dimension does not include interlead flash or protrusion. Interlead flash or protrusion shall not exceed 0.25 per side.
3. Dimensions are measured at datum plane H.
4. Dimensioning and tolerancing per ASME Y14.5M-1994.
5. Dimension does not include dambar protrusion. Allowable protrusion shall be 0.08mm total in excess of dimension at maximum material condition. Minimum space between protrusion and adjacent lead is 0.07mm.
6. Dimension in () are for reference only.
7. Conforms to JEDEC MO-153.