

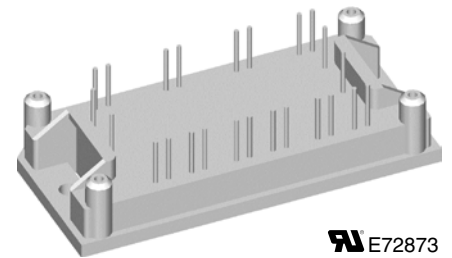
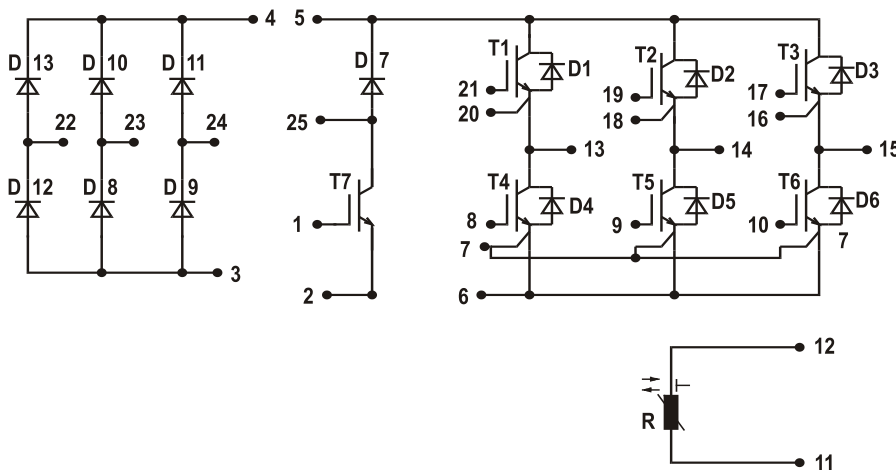
Converter - Brake - Inverter Module (CBI 1) NPT IGBT

Three Phase Rectifier	Brake Chopper	Three Phase Inverter
$V_{RRM} = 1600 \text{ V}$	$V_{CES} = 1200 \text{ V}$	$V_{CES} = 1200 \text{ V}$
$I_{DAVM25} = 130 \text{ A}$	$I_{C25} = 19 \text{ A}$	$I_{C25} = 30 \text{ A}$
$I_{FSM} = 320 \text{ A}$	$V_{CE(sat)} = 2.9 \text{ V}$	$V_{CE(sat)} = 3 \text{ V}$

Preliminary data

Part name (Marking on product)

MUBW30-12A6K



Pin configuration see outlines.

Features:

- High level of integration - only one power semiconductor module required for the whole drive
- Inverter with NPT IGBTs
- low saturation voltage
- positive temperature coefficient
- fast switching
- short tail current
- Epitaxial free wheeling diodes with hiperfast and soft reverse recovery
- Industry standard package with insulated copper base plate and soldering pins for PCB mounting
- Temperature sense included

Application:

- AC motor drives with
- Input from single or three phase grid
- Three phase synchronous or asynchronous motor
- Electric braking operation

Package:

- UL registered
- Industry standard E1-pack

Output Inverter T1 - T6

Symbol	Definitions	Conditions	Ratings			Unit
			min.	typ.	max.	
V_{CES}	collector emitter voltage	$T_{VJ} = 25^{\circ}\text{C to } 150^{\circ}\text{C}$			1200	V
V_{GES}	max. DC gate voltage	continuous			± 20	V
V_{GEM}	max. transient collector gate voltage	transient			± 30	V
I_{C25}	collector current	$T_C = 25^{\circ}\text{C}$			30	A
I_{C80}		$T_C = 80^{\circ}\text{C}$			21	A
P_{tot}	total power dissipation	$T_C = 25^{\circ}\text{C}$			130	W
$V_{CE(sat)}$	collector emitter saturation voltage	$I_C = 30\text{ A}; V_{GE} = 15\text{ V}$			3.0 3.4	V V
$V_{GE(th)}$	gate emitter threshold voltage	$I_C = 0.6\text{ mA}; V_{GE} = V_{CE}$	4.5		6.5	V
I_{CES}	collector emitter leakage current	$V_{CE} = V_{CES}; V_{GE} = 0\text{ V}$			1.5	1 mA mA
I_{GES}	gate emitter leakage current	$V_{CE} = 0\text{ V}; V_{GE} = \pm 20\text{ V}$			200	nA
C_{ies}	input capacitance	$V_{CE} = 25\text{ V}; V_{GE} = 0\text{ V}; f = 1\text{ MHz}$			1000	pF
$Q_{G(on)}$	total gate charge	$V_{CE} = 600\text{ V}; V_{GE} = 15\text{ V}; I_C = 17.5\text{ A}$			70	nC
$t_{d(on)}$	turn-on delay time	inductive load $V_{CE} = 600\text{ V}; I_C = 15\text{ A}$ $V_{GE} = \pm 15\text{ V}; R_G = 82\ \Omega$			100	ns
t_r	current rise time		$T_{VJ} = 125^{\circ}\text{C}$		80	ns
$t_{d(off)}$	turn-off delay time				500	ns
t_f	current fall time				70	ns
E_{on}	turn-on energy per pulse				2.3	mJ
E_{off}	turn-off energy per pulse				1.8	mJ
I_{CM}	reverse bias safe operating area	RBSOA; $V_{GE} = \pm 15\text{ V}; R_G = 82\ \Omega$ $L = 100\ \mu\text{H};$ clamped induct. load $V_{CEmax} = V_{CES} - L_S \cdot di/dt$	$T_{VJ} = 125^{\circ}\text{C}$		45	A
t_{SC} (SCSOA)	short circuit safe operating area	$V_{CE} = 1200\text{ V}; V_{GE} = \pm 15\text{ V};$ $R_G = 82\ \Omega;$ non-repetitive	$T_{VJ} = 125^{\circ}\text{C}$		10	μs
R_{thJC}	thermal resistance junction to case	(per IGBT)			0.95	K/W
R_{thCH}	thermal resistance case to heatsink	(per IGBT)			0.35	K/W

Output Inverter D1 - D6

Symbol	Definitions	Conditions	Ratings			Unit
			min.	typ.	max.	
V_{RRM}	max. repetitive reverse voltage	$T_{VJ} = 150^{\circ}\text{C}$			1200	V
I_{F25}	forward current	$T_C = 25^{\circ}\text{C}$			49	A
I_{F80}		$T_C = 80^{\circ}\text{C}$			32	A
V_F	forward voltage	$I_F = 30\text{ A}; V_{GE} = 0\text{ V}$			2.0	2.9 V V
I_{RM}	max. reverse recovery current	$V_R = 600\text{ V}$ $di_F/dt = -500\text{ A}/\mu\text{s}$ $I_F = 30\text{ A}; V_{GE} = 0\text{ V}$			27	A
t_{rr}	reverse recovery time		$T_{VJ} = 125^{\circ}\text{C}$		150	ns
$E_{rec(off)}$	reverse recovery energy				tbd	μJ
R_{thJC}	thermal resistance junction to case	(per diode)			0.9	K/W
R_{thCH}	thermal resistance case to heatsink	(per diode)			0.3	K/W

 $T_C = 25^{\circ}\text{C}$ unless otherwise stated

Brake Chopper T7

Symbol	Definitions	Conditions	Ratings			Unit
			min.	typ.	max.	
V_{CES}	collector emitter voltage	$T_{VJ} = 25^{\circ}\text{C}$ to 150°C			1200	V
V_{GES}	max. DC gate voltage	continuous			± 20	V
V_{GEM}	max. transient collector gate voltage	transient			± 30	V
I_{C25}	collector current	$T_C = 25^{\circ}\text{C}$			19	A
I_{C80}		$T_C = 80^{\circ}\text{C}$			13	A
P_{tot}	total power dissipation	$T_C = 25^{\circ}\text{C}$			90	W
$V_{CE(sat)}$	collector emitter saturation voltage	$I_C = 15\text{ A}; V_{GE} = 15\text{ V}$			2.9 3.5	V V
$V_{GE(th)}$	gate emitter threshold voltage	$I_C = 0.4\text{ mA}; V_{GE} = V_{CE}$	4.5		6.5	V
I_{CES}	collector emitter leakage current	$V_{CE} = V_{CES}; V_{GE} = 0\text{ V}$			0.8	mA mA
I_{GES}	gate emitter leakage current	$V_{CE} = 0\text{ V}; V_{GE} = \pm 20\text{ V}$			100	nA
C_{ies}	input capacitance	$V_{CE} = 25\text{ V}; V_{GE} = 0\text{ V}; f = 1\text{ MHz}$			600	pF
$Q_{G(on)}$	total gate charge	$V_{CE} = 600\text{ V}; V_{GE} = 15\text{ V}; I_C = 10\text{ A}$			45	nC
$t_{d(on)}$	turn-on delay time	inductive load $V_{CE} = 600\text{ V}; I_C = 10\text{ A}$ $V_{GE} = \pm 15\text{ V}; R_G = 82\ \Omega$	$T_{VJ} = 125^{\circ}\text{C}$		45	ns
t_r	current rise time				40	ns
$t_{d(off)}$	turn-off delay time				290	ns
t_f	current fall time				60	ns
E_{on}	turn-on energy per pulse				1.2	mJ
E_{off}	turn-off energy per pulse				1.1	mJ
I_{CM}	reverse bias safe operating area	RBSOA; $V_{GE} = \pm 15\text{ V}; R_G = 82\ \Omega$ $L = 100\ \mu\text{H};$ clamped induct. load $V_{CEmax} = V_{CES} - L_S \cdot di/dt$	$T_{VJ} = 125^{\circ}\text{C}$		20	A
t_{SC} (SCSOA)	short circuit safe operating area	$V_{CE} = 720\text{ V}; V_{GE} = \pm 15\text{ V};$ $R_G = 82\ \Omega;$ non-repetitive	$T_{VJ} = 125^{\circ}\text{C}$		10	μs
R_{thJC}	thermal resistance junction to case	(per IGBT)			1.37	K/W
R_{thCH}	thermal resistance case to heatsink	(per IGBT)			0.45	K/W

Brake Chopper D7

Symbol	Definitions	Conditions	Ratings			Unit
			min.	typ.	max.	
V_{RRM}	max. repetitive reverse voltage	$T_{VJ} = 150^{\circ}\text{C}$			1200	V
I_{F25}	forward current	$T_C = 25^{\circ}\text{C}$			15	A
I_{F80}		$T_C = 80^{\circ}\text{C}$			10	A
V_F	forward voltage	$I_F = 15\text{ A}; V_{GE} = 0\text{ V}$			3.5	V
					2.0	V
I_R	reverse current	$V_R = V_{RRM}$			0.06	mA mA
I_{RM}	max. reverse recovery current	$V_R = 600\text{ V}; I_F = 10\text{ A}$ $di_F/dt = -400\text{ A}/\mu\text{s}$	$T_{VJ} = 125^{\circ}\text{C}$		13	A
t_{rr}	reverse recovery time				110	ns
R_{thJC}	thermal resistance junction to case	(per diode)			2.5	K/W
R_{thCH}	thermal resistance case to heatsink	(per diode)			0.05	K/W

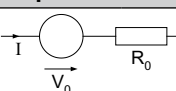
 $T_C = 25^{\circ}\text{C}$ unless otherwise stated

Input Rectifier Bridge D8 - D13					
Symbol	Definitions	Conditions	Maximum Ratings		
V_{RRM}	max. repetitive reverse voltage			1600	V
I_{FAV}	average forward current	sine 180°	$T_C = 80^\circ\text{C}$	31	A
I_{DAVM}	max. average DC output current	rectangular; $d = 1/3$; bridge	$T_C = 80^\circ\text{C}$	89	A
I_{FSM}	max. surge forward current	$t = 10$ ms; sine 50 Hz	$T_C = 25^\circ\text{C}$	320	A
P_{tot}	total power dissipation		$T_C = 25^\circ\text{C}$	80	W

Symbol	Conditions	Characteristic Values			Unit	
		min.	typ.	max.		
V_F	forward voltage	$I_F = 30$ A	$T_{VJ} = 25^\circ\text{C}$	1.0	1.35	V
			$T_{VJ} = 125^\circ\text{C}$	1.1		V
I_R	reverse current	$V_R = V_{RRM}$	$T_{VJ} = 25^\circ\text{C}$	0.4	0.02	mA
			$T_{VJ} = 125^\circ\text{C}$			mA
R_{thJC}	thermal resistance junction to case	(per diode)	$T_{VJ} = 25^\circ\text{C}$		1.4	K/W
R_{thCH}	thermal resistance case to heatsink	(per diode)		0.45		K/W

Temperature Sensor NTC							
Symbol	Definitions	Conditions	Ratings			Unit	
			min.	typ.	max.		
R_{25}	resistance		$T_C = 25^\circ\text{C}$	4.45	4.7	5.0	k Ω
$B_{25/85}$					3510		K

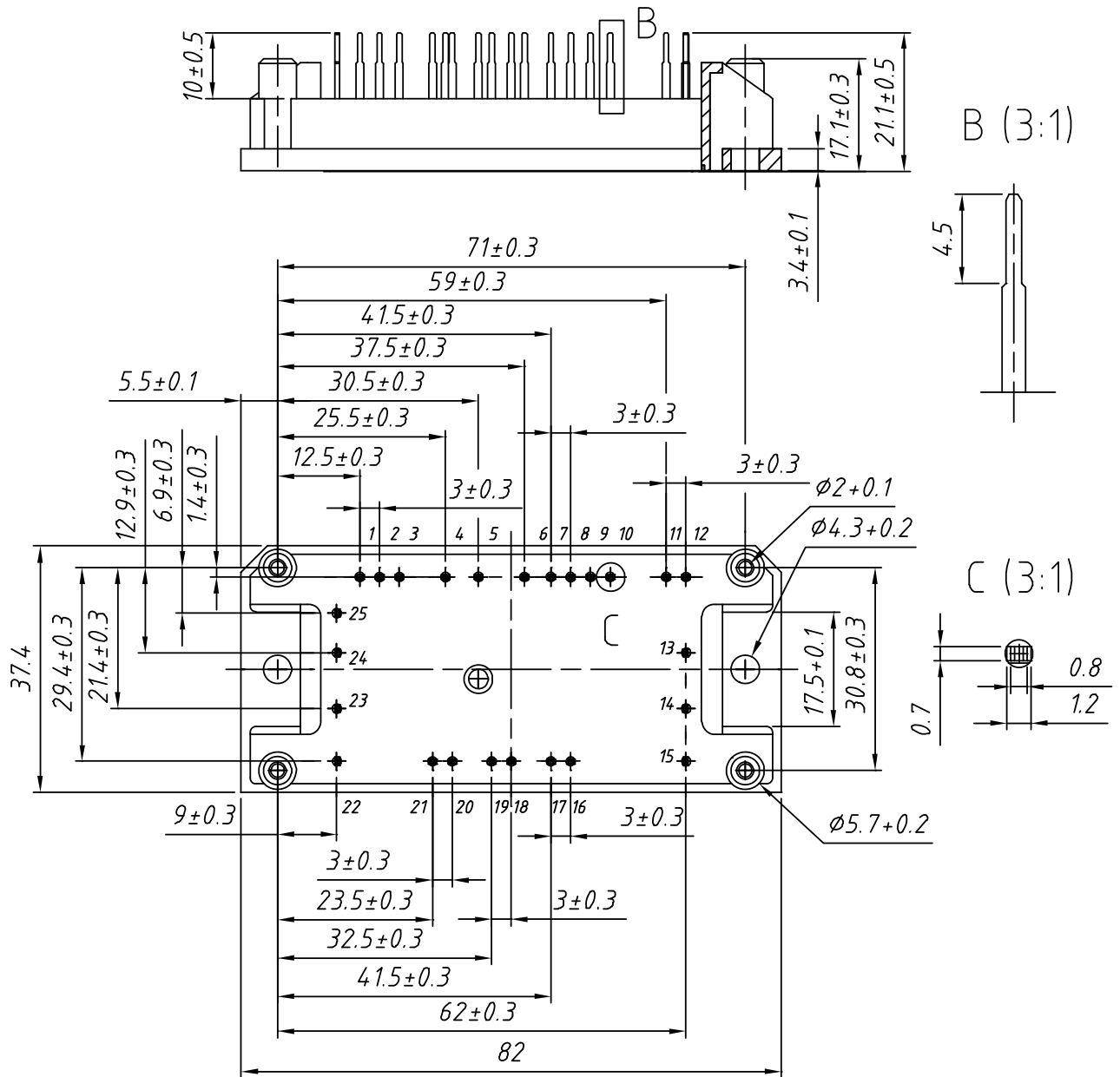
Module						
Symbol	Definitions	Conditions	Ratings			Unit
			min.	typ.	max.	
T_{VJ}	operating temperature		-40		125	$^\circ\text{C}$
T_{VJM}	max. virtual junction temperature				150	$^\circ\text{C}$
T_{stg}	storage temperature		-40		125	$^\circ\text{C}$
V_{ISOL}	isolation voltage	$I_{ISOL} \leq 1$ mA; 50/60 Hz			2500	V~
M_d	mounting torque	(M4)	2.0		2.2	Nm
d_S	creep distance on surface		12.7			mm
d_A	strike distance through air		12.7			mm
Weight				40		g

Equivalent Circuits for Simulation						
						
Symbol	Definitions	Conditions	min.	typ.	max.	Unit
V_0	rectifier diode	D8 - D13		$T_{VJ} = 125^\circ\text{C}$	0.90	V
R_0					9	m Ω
V_0	IGBT	T1 - T6		$T_{VJ} = 125^\circ\text{C}$	tbd	V
R_0					tbd	m Ω
V_0	free wheeling diode	D1 - D6		$T_{VJ} = 125^\circ\text{C}$	1.5	V
R_0					14	m Ω
V_0	IGBT	T7		$T_{VJ} = 125^\circ\text{C}$	1.5	V
R_0					120	m Ω
V_0	free wheeling diode	D7		$T_{VJ} = 125^\circ\text{C}$	1.46	V
R_0					63	m Ω

$T_C = 25^\circ\text{C}$ unless otherwise stated

Outline Drawing

Dimensions in mm (1 mm = 0.0394")



Product Marking

Ordering	Part Name	Marking on Product	Delivering Mode	Base Qty	Ordering Code
Standard	MUBW 30-12A6K	MUBW30-12A6K	Box	10	499 854