

# 32-Tap, Nonvolatile, Linear-Taper Digital Potentiometers in SOT23

## General Description

The MAX5471/MAX5472/MAX5474/MAX5475 linear-taper digital potentiometers function as mechanical potentiometers, but replace the mechanics with a simple 3-wire up/down digital interface. These digital potentiometers feature nonvolatile memory (EEPROM) to return the wiper to its previously stored position upon power-up.

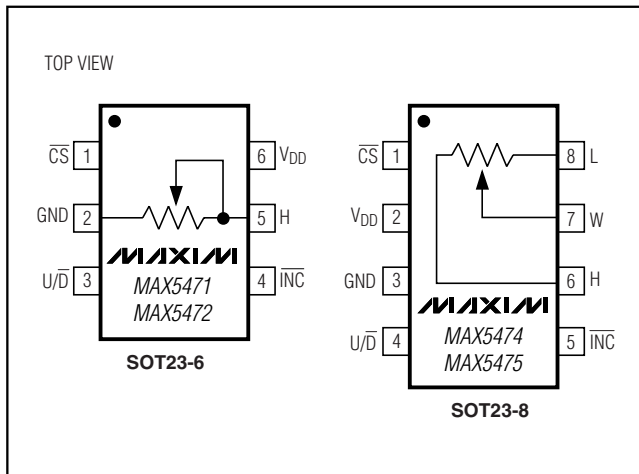
The MAX5471/MAX5472 are 2-terminal, variable resistors in 6-pin SOT23 packages. The MAX5474/MAX5475 are 3-terminal potentiometers in 8-pin SOT23 packages.

The MAX5471/MAX5474 have an end-to-end resistance of 50k $\Omega$ , and the MAX5472/MAX5475 have an end-to-end resistance of 100k $\Omega$ . All of these devices have 32 wiper positions, a low ratiometric temperature coefficient (5ppm/ $^{\circ}$ C), and all operate from a single +2.7V to +5.25V supply. Each device is guaranteed over the extended -40 $^{\circ}$ C to +85 $^{\circ}$ C temperature range.

## Applications

Mechanical Potentiometer Replacement  
Liquid-Crystal-Display (LCD) Screen Adjustment  
Audio Volume Control  
Programmable Filters

## Pin Configurations



## Features

- ◆ Wiper Position Stored in Nonvolatile Memory and Recalled Upon Power-Up
- ◆ Tiny SOT23 Package
- ◆ 35ppm/ $^{\circ}$ C End-to-End Resistance Temperature Coefficient
- ◆ 5ppm/ $^{\circ}$ C Ratiometric Temperature Coefficient
- ◆ 32 Tap Positions
- ◆ Voltage-Divider or Variable-Resistor Potentiometer Configuration
- ◆ 50k $\Omega$  and 100k $\Omega$  End-to-End Resistance Values
- ◆ 1 $\mu$ A (max) Static Supply Current
- ◆ 2.7V to 5.25V Single-Supply Operation
- ◆ 200,000 Wiper Store Cycles
- ◆ 50-Year Wiper Data Retention

## Ordering Information

| PART         | TEMP RANGE                           | PIN-PACKAGE    | PKG CODE |
|--------------|--------------------------------------|----------------|----------|
| MAX5471EZT-T | -40 $^{\circ}$ C to +85 $^{\circ}$ C | 6 Thin SOT23-6 | Z6-1     |
| MAX5472EZT-T | -40 $^{\circ}$ C to +85 $^{\circ}$ C | 6 Thin SOT23-6 | Z6-1     |
| MAX5474EKA-T | -40 $^{\circ}$ C to +85 $^{\circ}$ C | 8 SOT23-8      | K8S-3    |
| MAX5475EKA-T | -40 $^{\circ}$ C to +85 $^{\circ}$ C | 8 SOT23-8      | K8S-3    |

## Selector Guide

| PART       | END-TO-END RESISTANCE (k $\Omega$ ) | TOP MARK |
|------------|-------------------------------------|----------|
| MAX5471EZT | 50                                  | ABQN     |
| MAX5472EZT | 100                                 | ABQM     |
| MAX5474EKA | 50                                  | AEIZ     |
| MAX5475EKA | 100                                 | AEIY     |

# 32-Tap, Nonvolatile, Linear-Taper Digital Potentiometers in SOT23

## ABSOLUTE MAXIMUM RATINGS

|   |   |   |                 |
|---|---|---|-----------------|
| V <sub>DD</sub> to GND .....                | -0.3V to +6.0V  | Continuous Power Dissipation (T <sub>A</sub> = +70°C) |                 |
| All Other                                   |   | 6-Pin SOT23 (derate 9.1mW/°C above +70°C).....        | 727mW           |
| Pins to GND .....                           | -0.3V to the lower of (V <sub>DD</sub> + 0.3V) or +6.0V | 8-Pin SOT23 (derate 8.9mW/°C above +70°C).....        | 714mW           |
| Maximum Continuous Current into H, L, and W |   | Operating Temperature Range .....                     | -40°C to +85°C  |
| MAX5471/MAX5474 .....                       | ±1.3mA  | Junction Temperature .....                            | +150°C          |
| MAX5472/MAX5475 .....                       | ±0.6mA  | Storage Temperature Range .....                       | -60°C to +150°C |
|   |   | Lead Temperature (soldering, 10s) .....               | +300°C          |

Stresses beyond those listed under "Absolute Maximum Ratings" may cause permanent damage to the device. These are stress ratings only, and functional operation of the device at these or any other conditions beyond those indicated in the operational sections of the specifications is not implied. Exposure to absolute maximum rating conditions for extended periods may affect device reliability.

## ELECTRICAL CHARACTERISTICS

(V<sub>DD</sub> = +2.7V to +5.25V, V<sub>H</sub> = V<sub>DD</sub>, V<sub>L</sub> = GND, T<sub>A</sub> = -40°C to +85°C, unless otherwise noted. Typical values are at V<sub>DD</sub> = +5.0V, T<sub>A</sub> = +25°C, unless otherwise noted.) (Note 1)

| PARAMETER   | SYMBOL          | CONDITIONS                                      | MIN                   | TYP  | MAX  | UNITS  |
|---|-----------------|---|-----------------------|------|------|--------|
| <b>DC PERFORMANCE</b>   |                 |   |                       |      |      |        |
| Resolution  | N               |   | 32                    |      |      | Tap    |
| End-to-End Resistance   |                 | MAX5471/MAX5474                                 | 37.5                  | 50   | 62.5 | kΩ     |
|   |                 | MAX5472/MAX5475                                 | 75                    | 100  | 125  |        |
| End-to-End Resistance Temperature Coefficient   | TC <sub>R</sub> |   |                       | 35   |      | ppm/°C |
| Ratiometric Resistance Temperature Coefficient  |                 |   |                       | 5    |      | ppm/°C |
| Integral Nonlinearity   | INL             | Variable-resistor mode (Note 2)                 |                       | ±0.5 | ±1.0 | LSB    |
|   |                 | Voltage-divider mode (MAX5474/MAX5475) (Note 3) |                       | ±0.1 | ±0.5 |        |
| Differential Nonlinearity   | DNL             | Variable-resistor mode (Note 2)                 |                       | ±0.5 | ±1.0 | LSB    |
|   |                 | Voltage-divider mode (MAX5474/MAX5475) (Note 3) |                       | ±0.1 | ±0.5 |        |
| Full-Scale Error  |                 | MAX5474/MAX5475                                 |                       |      | -0.5 | LSB    |
| Zero-Scale Error  |                 | MAX5474/MAX5475                                 |                       |      | +0.5 | LSB    |
| Wiper Resistance  | R <sub>W</sub>  | MAX5474/MAX5475 (Note 4)                        |                       | 600  | 1200 | Ω      |
| <b>DIGITAL INPUTS (<math>\overline{CS}</math>, <math>\overline{U/D}</math>, <math>\overline{INC}</math>) (Note 5)</b> |                 |   |                       |      |      |        |
| Input High Voltage  | V <sub>IH</sub> | V <sub>DD</sub> < 3.6V                          | 0.7 × V <sub>DD</sub> |      |      | V      |
|   |                 | V <sub>DD</sub> ≥ 3.6V                          | 2.4                   |      |      |        |
| Input Low Voltage   | V <sub>IL</sub> | V <sub>DD</sub> < 3.6V                          | 0.3 × V <sub>DD</sub> |      |      | V      |
|   |                 | V <sub>DD</sub> ≥ 3.6V                          | 0.8                   |      |      |        |
| Input Current   | I <sub>IN</sub> |   |                       | ±0.1 | ±1   | μA     |
| <b>DYNAMIC CHARACTERISTICS</b>  |                 |   |                       |      |      |        |
| Wiper -3dB Bandwidth (Note 6)   |                 | MAX5471/MAX5474                                 | 400                   |      |      | kHz    |
|   |                 | MAX5472/MAX5475                                 | 200                   |      |      |        |

# 32-Tap, Nonvolatile, Linear-Taper Digital Potentiometers in SOT23

MAX5471/MAX5472/MAX5474/MAX5475

## ELECTRICAL CHARACTERISTICS (continued)

( $V_{DD} = +2.7V$  to  $+5.25V$ ,  $V_H = V_{DD}$ ,  $V_L = GND$ ,  $T_A = -40^{\circ}C$  to  $+85^{\circ}C$ , unless otherwise noted. Typical values are at  $V_{DD} = +5.0V$ ,  $T_A = +25^{\circ}C$ , unless otherwise noted.) (Note 1)

| PARAMETER   | SYMBOL    | CONDITIONS                    | MIN  | TYP     | MAX  | UNITS   |
|---|-----------|-------------------------------|------|---------|------|---------|
| <b>TIMING CHARACTERISTICS</b> (Figure 1, Note 7)      |           |                               |      |         |      |         |
| $\overline{CS}$ to $\overline{INC}$ Setup             | $t_{CI}$  |                               | 50   |         |      | ns      |
| $\overline{INC}$ High to $U/\overline{D}$ Change      | $t_{ID}$  |                               | 0    |         |      | ns      |
| $U/\overline{D}$ to $\overline{INC}$ Setup            | $t_{DI}$  |                               | 100  |         |      | ns      |
| $\overline{INC}$ Low Period                           | $t_{IL}$  |                               | 50   |         |      | ns      |
| $\overline{INC}$ High Period                          | $t_{IH}$  |                               | 50   |         |      | ns      |
| $\overline{INC}$ Cycle Time                           | $t_{CYC}$ |                               | 100  |         |      | ns      |
| $\overline{INC}$ Inactive to $\overline{CS}$ Inactive | $t_{IC}$  |                               | 100  |         |      | ns      |
| $\overline{INC}$ Active to $\overline{CS}$ Inactive   | $t_{IK}$  |                               | 100  |         |      | ns      |
| $\overline{CS}$ Deselect Time (Store)                 | $t_{CPH}$ |                               | 100  |         |      | ns      |
| Wiper Settling Time                                   | $t_{W}$   | (Note 8)                      |      | 1       |      | $\mu s$ |
| Power-Up to Wiper Stable                              | $t_{PU}$  |                               |      | 1       |      | $\mu s$ |
| Wiper Store Cycle                                     | $t_{WSC}$ |                               | 12   |         |      | ms      |
| <b>NONVOLATILE MEMORY RELIABILITY</b>                 |           |                               |      |         |      |         |
| Data Retention  |           | $T_A = +85^{\circ}C$          |      | 50      |      | Year    |
| Endurance   |           | $T_A = +25^{\circ}C$          |      | 200,000 |      | Store   |
|   |           | $T_A = +85^{\circ}C$          |      | 50,000  |      |         |
| <b>POWER SUPPLY</b>                                   |           |                               |      |         |      |         |
| Supply Voltage  | $V_{DD}$  |                               | 2.70 |         | 5.25 | V       |
| Supply Current  | $I_{DD}$  | Write to memory               |      |         | 400  | $\mu A$ |
| Static Supply Current                                 | $I_{SD}$  | $T_A = +25^{\circ}C$ (Note 9) |      | 0.35    | 1    | $\mu A$ |

**Note 1:** All devices are production tested at  $T_A = +25^{\circ}C$  and are guaranteed by design and characterization for  $-40^{\circ}C < T_A < +85^{\circ}C$ .

**Note 2:** The DNL and INL are measured with the potentiometer configured as a variable resistor. For the 3-terminal potentiometers (MAX5474/MAX5475), H is unconnected and L = GND. At  $V_{DD} = 5.25V$ , W is driven with a source current of  $80\mu A$  for the  $50k\Omega$  configuration, and  $40\mu A$  for the  $100k\Omega$  configuration. At  $V_{DD} = 2.7V$ , the wiper terminal is driven with a source current of  $40\mu A$  for the  $50k\Omega$  configuration, and  $20\mu A$  for the  $100k\Omega$  configuration.

**Note 3:** The DNL and INL are measured with the potentiometer configured as a voltage-divider with H =  $V_{DD}$  and L = GND (MAX5474/MAX5475 only). The wiper terminal is unloaded.

**Note 4:** The wiper resistance is the worst value measured by injecting the currents given in Note 2 into W with L = GND.  
 $R_W = (V_W - V_H) / I_W$ .

**Note 5:** The device draws higher supply current when digital inputs are driven with voltages between  $0.3V \times V_{DD}$  and  $0.7 \times V_{DD}$ . Drive the digital inputs as close as possible to  $V_{DD}$  or GND. (See the *Typical Operating Characteristics* for the Supply Current vs. Digital Input Voltage graph.)

**Note 6:** Wiper at midscale with a  $10pF$  load.

**Note 7:** Digital timing is guaranteed by design and characterization, and is not production tested.

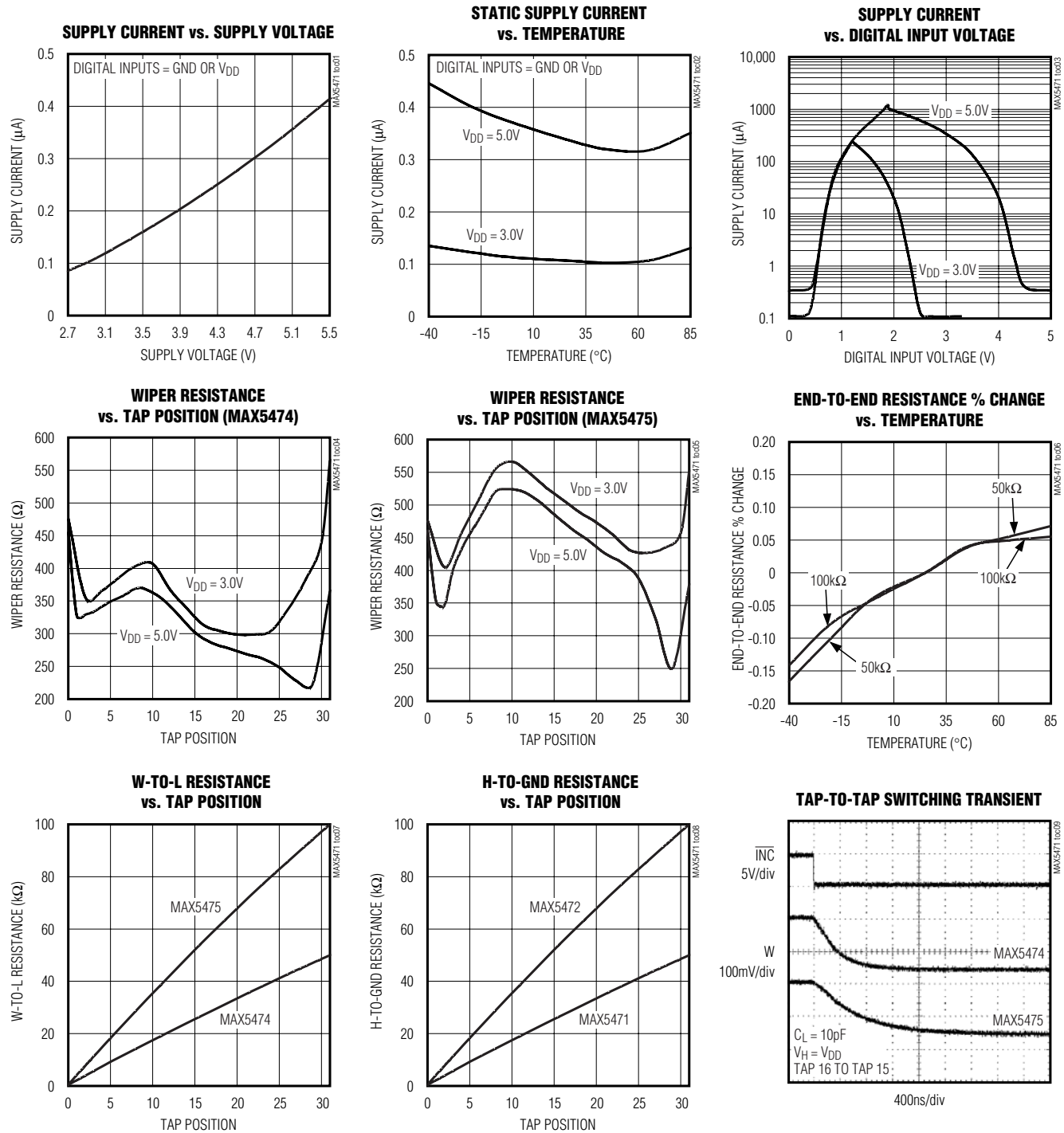
**Note 8:** Wiper settling time is the worst-case 0% to 50% rise time measured between consecutive wiper positions. H =  $V_{DD}$ , L = GND, and the wiper terminal is unloaded and measured with a  $10pF$  oscilloscope probe (see the *Typical Operating Characteristics* for the Tap-to-Tap Switching Transient).

**Note 9:** Digital inputs CS, U/D, and  $\overline{INC}$  are connected to GND or  $V_{DD}$ . See the *Typical Operating Characteristics* for the Static Supply Current vs. Temperature graph.

# 32-Tap, Nonvolatile, Linear-Taper Digital Potentiometers in SOT23

## Typical Operating Characteristics

( $V_{DD} = 5.0V$ ,  $T_A = +25^\circ C$ , unless otherwise noted.)



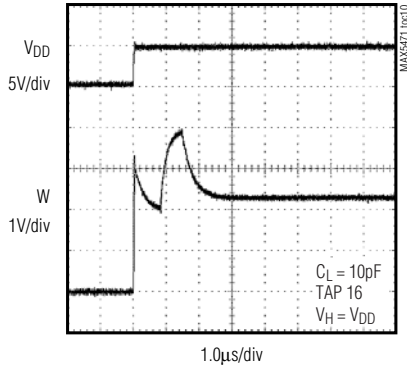
# 32-Tap, Nonvolatile, Linear-Taper Digital Potentiometers in SOT23

## Typical Operating Characteristics (continued)

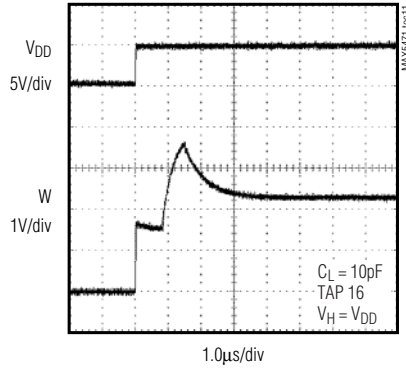
( $V_{DD} = 5.0V$ ,  $T_A = +25^\circ C$ , unless otherwise noted.)

MAX5471/MAX5472/MAX5474/MAX5475

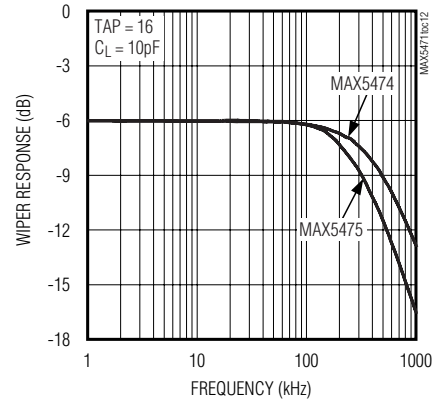
**WIPER TRANSIENT AT POWER-ON  
(MAX5474)**



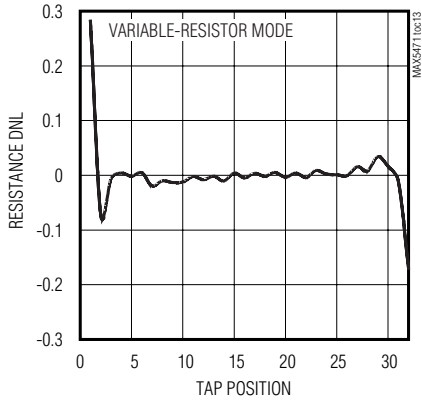
**WIPER TRANSIENT AT POWER-ON  
(MAX5475)**



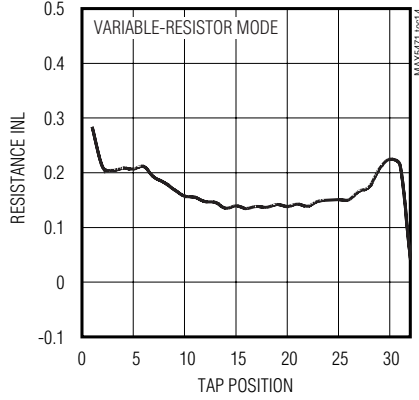
**WIPER RESPONSE vs. FREQUENCY**



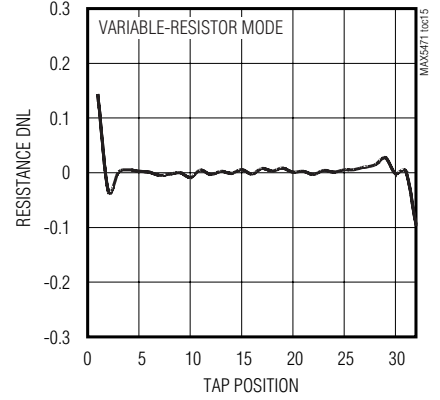
**RESISTANCE DNL vs. TAP POSITION  
(MAX5471)**



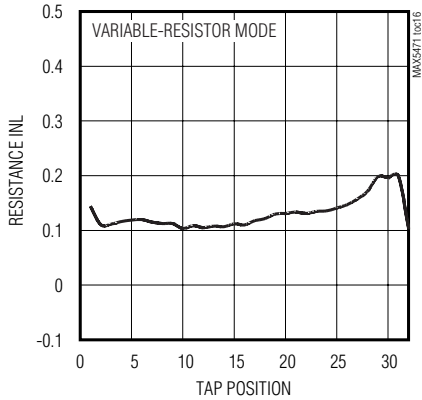
**RESISTANCE INL vs. TAP POSITION  
(MAX5471)**



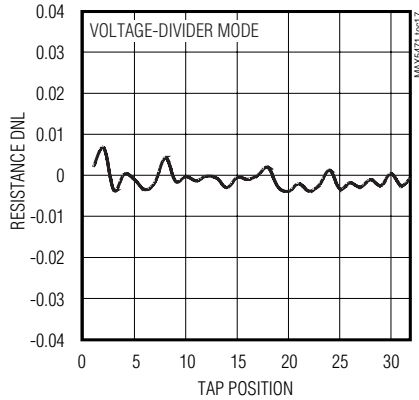
**RESISTANCE DNL vs. TAP POSITION  
(MAX5472)**



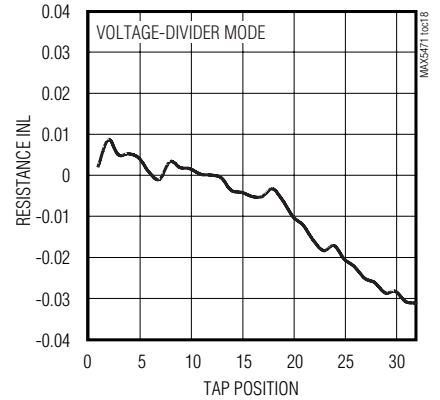
**RESISTANCE INL vs. TAP POSITION  
(MAX5472)**



**RESISTANCE DNL vs. TAP POSITION  
(MAX5474)**



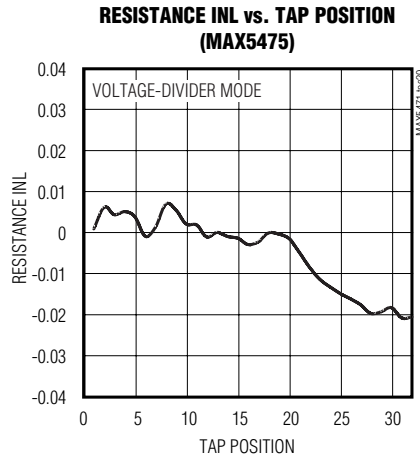
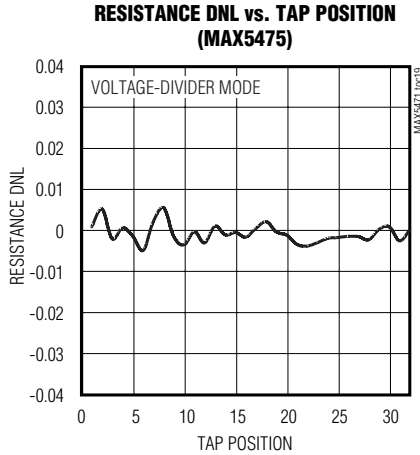
**RESISTANCE INL vs. TAP POSITION  
(MAX5474)**



# 32-Tap, Nonvolatile, Linear-Taper Digital Potentiometers in SOT23

## Typical Operating Characteristics (continued)

(V<sub>DD</sub> = 5.0V, T<sub>A</sub> = +25°C, unless otherwise noted.)



## Pin Description

| PIN                 |                     | NAME             | FUNCTION  |
|---------------------|---------------------|------------------|---|
| MAX5471/<br>MAX5472 | MAX5474/<br>MAX5475 |                  |   |
| 1                   | 1                   | $\overline{CS}$  | Chip-Select Input. Drive low to change wiper position (W) through $\overline{INC}$ and $U/\overline{D}$ . A low-to-high transition with $\overline{INC}$ high stores the wiper position in nonvolatile memory.                  |
| 2                   | 3                   | GND              | Ground  |
| 3                   | 4                   | $U/\overline{D}$ | Up/Down Control Input. With $U/\overline{D}$ low, a high-to-low $\overline{INC}$ transition decrements the wiper position. With $U/\overline{D}$ high, a high-to-low $\overline{INC}$ transition increments the wiper position. |
| 4                   | 5                   | $\overline{INC}$ | Wiper Increment Control Input. With $\overline{CS}$ low, the wiper position moves in the direction determined by the state of $U/\overline{D}$ on a high-to-low transition.   |
| 5                   | 6                   | H                | High Terminal of Resistor. The voltage at H can be greater than or less than the voltage at L. Current can flow into or out of H.   |
| 6                   | 2                   | V <sub>DD</sub>  | Power Supply  |
| —                   | 7                   | W                | Wiper Terminal of Resistor  |
| —                   | 8                   | L                | Low Terminal of Resistor. The voltage at L can be greater than or less than the voltage at H. Current can flow into or out of L.  |

# 32-Tap, Nonvolatile, Linear-Taper Digital Potentiometers in SOT23

MAX5471/MAX5472/MAX5474/MAX5475

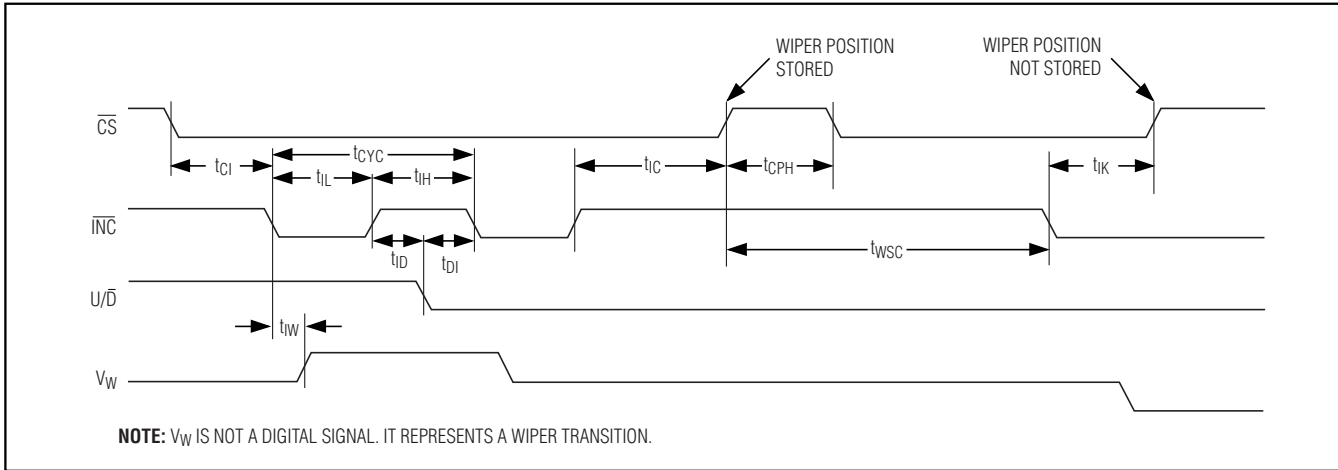


Figure 1. Digital Interface and Timing Diagram

## Detailed Description

The MAX5471/MAX5472/MAX5474/MAX5475 contain a resistor array with 31 resistive elements (Figures 2 and 3). The MAX5471/MAX5474 have a total end-to-end resistance of 50k $\Omega$ , and the MAX5472/MAX5475 have an end-to-end resistance of 100k $\Omega$ . The MAX5471/MAX5472 wiper is connected to the high terminal, and the low terminal is internally connected to ground, making the device a variable resistor. The MAX5474/MAX5475 allow access to the high, low, and wiper terminals for a standard voltage-divider configuration.

The wiper is moved among the 32 tap points through a simple 3-wire interface. Nonvolatile memory allows the wiper position to be stored and recalled to the same point upon power-up.

### Digital Interface

Logic inputs  $\overline{CS}$ ,  $U/\overline{D}$ , and  $\overline{INC}$  control the wiper position and store it in nonvolatile memory (see the *Truth Table*). The chip-select ( $\overline{CS}$ ) input enables the serial interface when low and disables the interface when high. The position of the wiper is stored when  $\overline{CS}$  transitions from low to high and  $\overline{INC}$  is high (see the *Storing Wiper Position* section).

With the serial interface active ( $\overline{CS}$  low), a high-to-low (falling edge) transition on  $\overline{INC}$  moves the wiper position by one resistive element in the direction determined by the state of  $U/\overline{D}$ . If  $U/\overline{D}$  is high, the wiper increments and it increases the resistance between W and L (it decreases the resistance between H and W). If  $U/\overline{D}$  is low, the wiper decrements and it decreases the resistance between W and L (it increases the resistance between H and W). The direction of the wiper

(state of  $U/\overline{D}$ ) can be changed at any time as long as the setup and hold times are met.

Since the MAX5471/MAX5472 have the wiper internally connected to H, an increment command increases the resistance between H and GND, and a decrement command decreases the resistance between H and GND.

The wiper performs a make-before-break transition, ensuring that there is never an open circuit during a transition from one resistor tap to another. When the wiper is at either end of the resistor array (max/min), additional transitions in the direction of the endpoint do not change the counter value (the wiper does not wrap around).

### Storing Wiper Position

The position of the wiper is stored in nonvolatile memory whenever  $\overline{CS}$  transitions low-to-high (rising edge) while  $\overline{INC}$  is high. Upon power-up, the wiper returns to this stored position. By keeping  $\overline{INC}$  low while taking  $\overline{CS}$  high, the serial interface can be disabled and the potentiometer placed in standby without storing the latest wiper position. The factory-default wiper position is midscale.

These devices can also be operated like a one-time programmable (OTP) device. Once the desired wiper position is trimmed and stored in nonvolatile memory, disable the serial interface by connecting  $\overline{CS}$  to  $V_{DD}$ , and  $\overline{INC}$  to GND. The disabled interface places the device in standby and disallows any changes to the wiper position. In OTP mode, these devices become a fixed 3-terminal potentiometer or a 1-terminal resistor to GND with less than 1 $\mu$ A of supply current.

# 32-Tap, Nonvolatile, Linear-Taper Digital Potentiometers in SOT23

**Truth Table**

| $\overline{CS}$ | $U/\overline{D}$ | $\overline{INC}$ | W                   |
|-----------------|------------------|------------------|---------------------|
| L               | L                | ↓                | Decrement           |
| L               | H                | ↓                | Increment           |
| L               | X                | ↑                | No change           |
| H               | X                | X                | No change           |
| ↓               | X                | X                | No change           |
| ↑               | X                | L                | Position not stored |
| ↑               | X                | H                | Position stored     |

↓ = High-to-low transition.  
 ↑ = Low-to-high transition.  
 X = Don't care.

### Standby Mode

The MAX5471/MAX5472/MAX5474/MAX5475 are always in standby mode, except during the transition of a logic input or while the wiper position is being stored. When in standby mode, the static supply current is reduced to less than 1µA and the resistive terminals (H, W, and L) are unaffected.

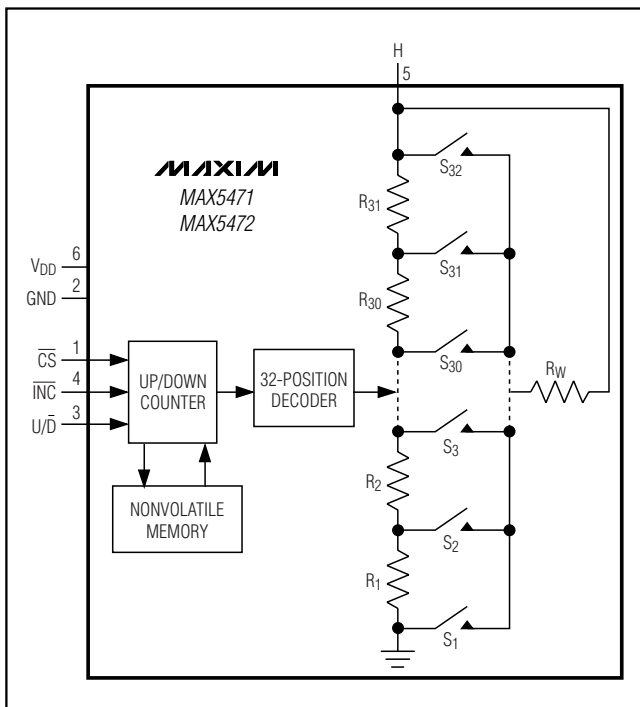


Figure 2. MAX5471/MAX5472 Functional Diagram

### Applications Information

The MAX5471/MAX5472/MAX5474/MAX5475 are intended for circuits requiring digitally controlled adjustable resistance, such as LCD contrast control (where voltage biasing adjusts the display contrast), or programmable filters with adjustable gain and/or cutoff frequency.

#### Positive LCD Bias Control

Figures 4 and 5 show an application where the voltage-divider or variable resistor is used to make an adjustable, positive LCD-bias voltage. The op amp provides buffering and gain to the resistor-divider network made by the potentiometer (Figure 4) or to a fixed resistor and a variable resistor (Figure 5).

#### Programmable Filter

Figure 6 shows the configuration of a 1st-order programmable filter. The gain of the filter is adjusted by R2, and the cutoff frequency is adjusted by R3. Use the following equations to calculate the gain (G) and the 3dB cutoff frequency (fc):

$$G = 1 + \frac{R1}{R2}$$

$$f_c = \frac{1}{2\pi \times R3 \times C}$$

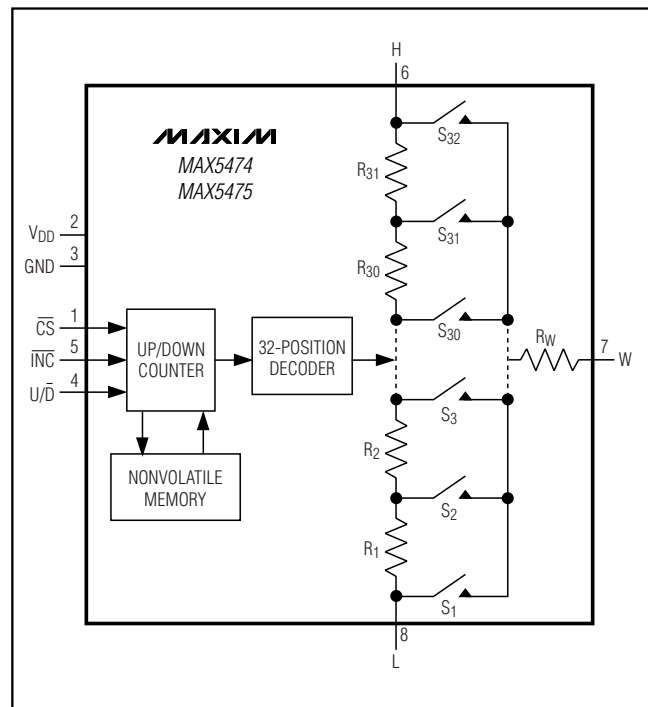


Figure 3. MAX5474/MAX5475 Functional Diagram



# 32-Tap, Nonvolatile, Linear-Taper Digital Potentiometers in SOT23

MAX5471/MAX5472/MAX5474/MAX5475

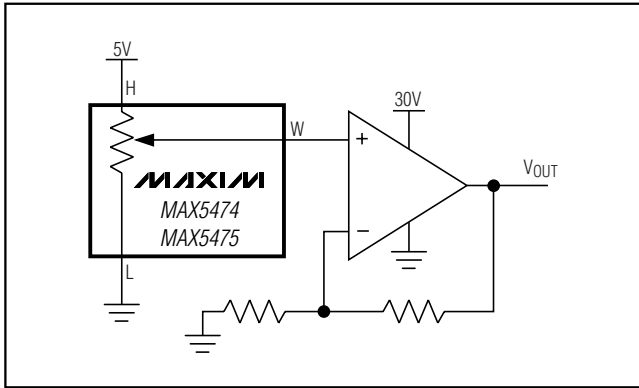


Figure 4. Positive LCD Bias Control Using a Voltage-Divider

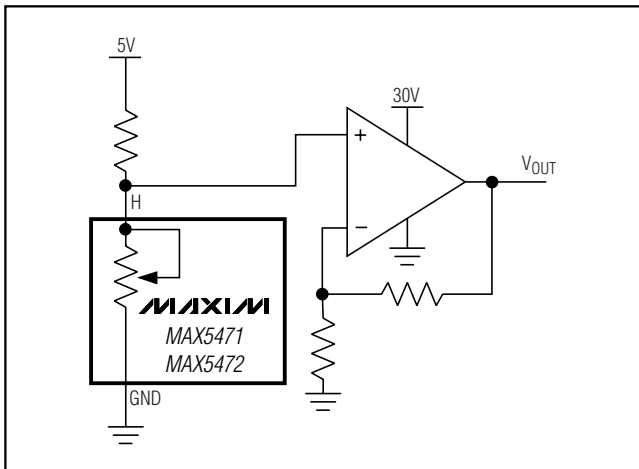


Figure 5. Positive LCD Bias Control Using a Variable Resistor

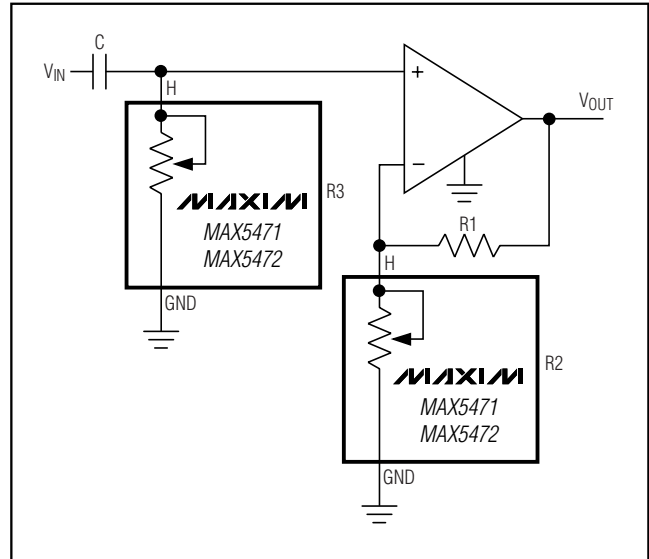


Figure 6. Programmable Filter

## Chip Information

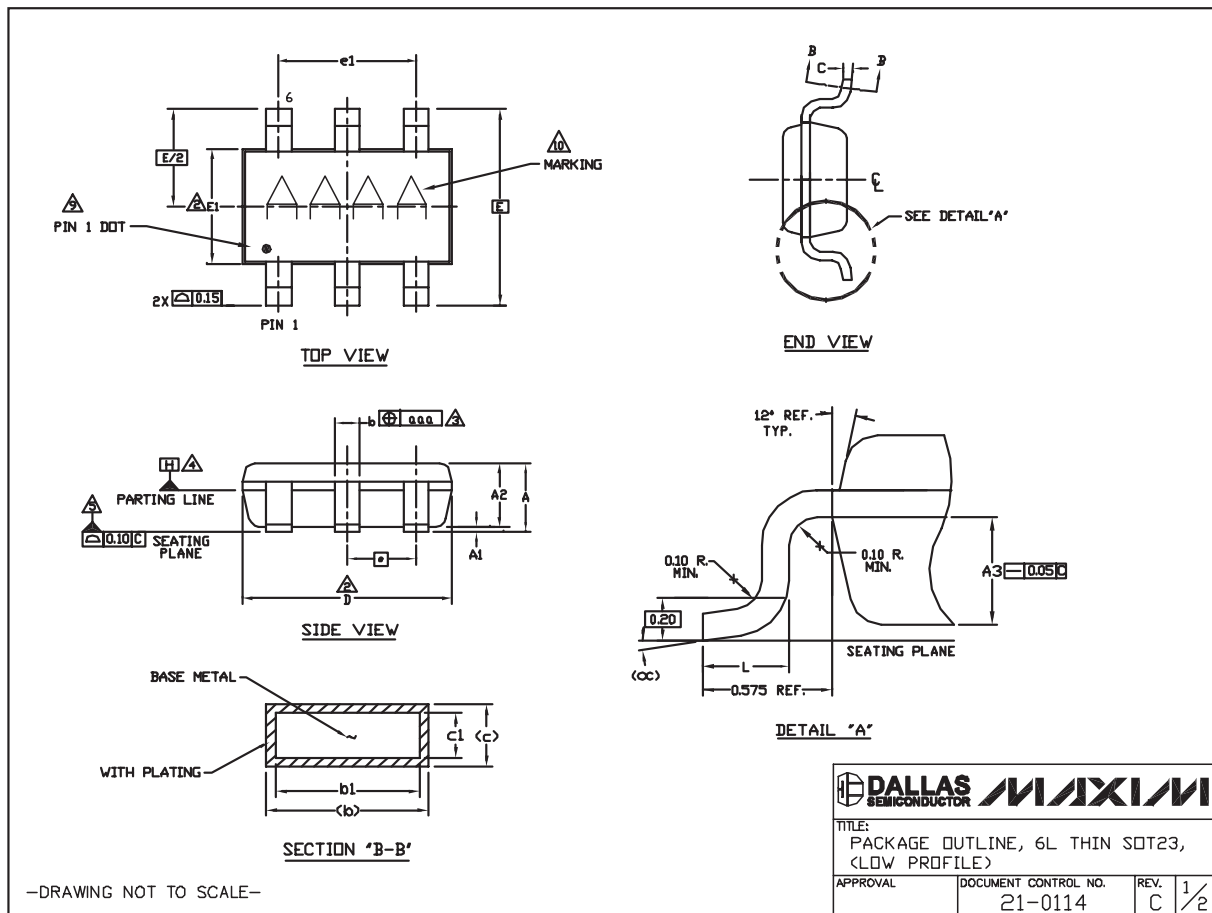
TRANSISTOR COUNT: 5031

PROCESS: BiCMOS

# 32-Tap, Nonvolatile, Linear-Taper Digital Potentiometers in SOT23

## Package Information

(The package drawing(s) in this data sheet may not reflect the most current specifications. For the latest package outline information, go to [www.maxim-ic.com/packages](http://www.maxim-ic.com/packages).)



# 32-Tap, Nonvolatile, Linear-Taper Digital Potentiometers in SOT23


## Package Information (continued)

(The package drawing(s) in this data sheet may not reflect the most current specifications. For the latest package outline information, go to [www.maxim-ic.com/packages](http://www.maxim-ic.com/packages).)

### NOTES:

1. ALL DIMENSIONS ARE IN MILLIMETERS.
  2. "D" AND "E1" ARE REFERENCE DATUM AND DO NOT INCLUDE MOLD FLASH OR PROTRUSIONS, AND ARE MEASURED AT THE BOTTOM PARTING LINE. MOLD FLASH OR PROTRUSION SHALL NOT EXCEED 0.15mm ON "D" AND 0.25mm ON "E" PER SIDE.
  3. THE LEAD WIDTH DIMENSION DOES NOT INCLUDE DAMBAR PROTRUSION. ALLOWABLE DAMBAR PROTRUSION SHALL BE 0.07mm TOTAL IN EXCESS OF THE LEAD WIDTH DIMENSION AT MAXIMUM MATERIAL CONDITION.
  4. DATUM PLANE "H" LOCATED AT MOLD PARTING LINE AND COINCIDENT WITH LEAD, WHERE LEAD EXITS PLASTIC BODY AT THE BOTTOM OF PARTING LINE.
  5. THE LEAD TIPS MUST LIE WITHIN A SPECIFIED TOLERANCE ZONE. THIS TOLERANCE ZONE IS DEFINED BY TWO PARALLEL LINES. ONE PLANE IS THE SEATING PLANE, DATUM [C-C-J] AND THE OTHER PLANE IS AT THE SPECIFIED DISTANCE FROM [C-C-J] IN THE DIRECTION INDICATED. FORMED LEADS SHALL BE PLANAR WITH RESPECT TO ONE ANOTHER WITH 0.10mm AT SEATING PLANE.
  6. THIS PART IS COMPLIANT WITH JEDEC SPECIFICATION MO-193 EXCEPT FOR THE "e" DIMENSION WHICH IS 0.95mm INSTEAD OF 1.00mm. THIS PART IS IN FULL COMPLIANCE TO EIAJ SPECIFICATION SC-74.
  7. COPLANARITY APPLIES TO THE EXPOSED PAD AS WELL AS THE TERMINALS. COPLANARITY SHALL NOT EXCEED 0.08mm.
  8. WARPAGE SHALL NOT EXCEED 0.10mm.
  9. THE TERMINAL #1 IDENTIFIER AND TERMINAL NUMBERING CONVENTION SHALL CONFORM TO JE'5D 95-1 PP-012. DETAILS OF TERMINAL #1 IDENTIFIER ARE OPTIONAL. THE TERMINAL #1 IDENTIFIER MAY BE EITHER A MOLD OR MARKED FEATURE.
  10. MARKING IS FOR PACKAGE ORIENTATION REFERENCE ONLY.
11. ALL DIMENSIONS APPLY TO BOTH LEADED (-) AND LEAD FREE (+) PACKAGE CODES.

| SYMBOLS                |          |       |      |
|------------------------|----------|-------|------|
|                        | MIN      | NOM   | MAX  |
| A                      | -        | -     | 1.10 |
| A1                     | 0.00     | 0.075 | 0.10 |
| A2                     | 0.85     | 0.88  | 0.90 |
| A3                     | 0.50 BSC |       |      |
| b                      | 0.30     | -     | 0.45 |
| b1                     | 0.25     | 0.35  | 0.40 |
| c                      | 0.15     | -     | 0.20 |
| c1                     | 0.12     | 0.127 | 0.15 |
| D                      | 2.80     | 2.90  | 3.00 |
| E                      | 2.75 BSC |       |      |
| E1                     | 1.55     | 1.60  | 1.65 |
| L                      | 0.30     | 0.40  | 0.50 |
| e1                     | 1.90 BSC |       |      |
| e                      | 0.95 BSC |       |      |
| OC                     | 0°       | 4°    | 8°   |
| aaa                    | 0.20     |       |      |
| Pkg. codes: Z6-1J Z6-2 |          |       |      |

|   |  |
|---|--|
|  |  |
| TITLE:<br>PACKAGE OUTLINE, 6L THIN SOT23,<br>(LOW PROFILE)                            |  |
| APPROVAL  | DOCUMENT CONTROL NO. 21-0114<br>REV. C 2/2 |

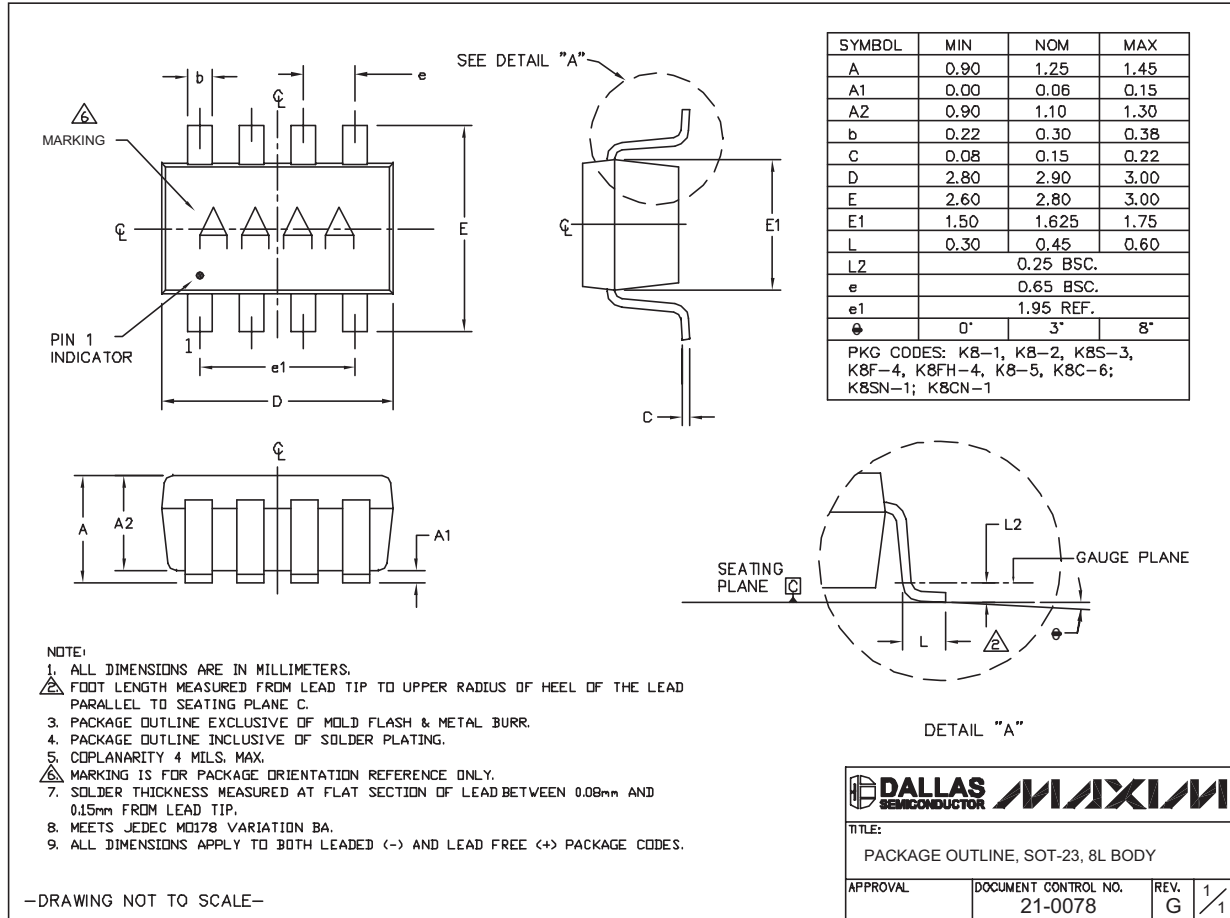
-DRAWING NOT TO SCALE-

MAX5471/MAX5472/MAX5474/MAX5475

# 32-Tap, Nonvolatile, Linear-Taper Digital Potentiometers in SOT23

## Package Information (continued)

(The package drawing(s) in this data sheet may not reflect the most current specifications. For the latest package outline information, go to [www.maxim-ic.com/packages](http://www.maxim-ic.com/packages).)



SOT23, 8L EFS

Maxim cannot assume responsibility for use of any circuitry other than circuitry entirely embodied in a Maxim product. No circuit patent licenses are implied. Maxim reserves the right to change the circuitry and specifications without notice at any time.

12 Maxim Integrated Products, 120 San Gabriel Drive, Sunnyvale, CA 94086 408-737-7600