

ISL23315

Single, Low Voltage Digitally Controlled Potentiometer (XDCP™)

FN7778  
Rev 2.00  
August 12, 2015

The ISL23315 is a volatile, low voltage, low noise, low power, I<sup>2</sup>C Bus™, 256 Taps, single digitally controlled potentiometer (DCP), which integrates DCP core, wiper switches and control logic on a monolithic CMOS integrated circuit.

The digitally controlled potentiometer is implemented with a combination of resistor elements and CMOS switches. The position of the wipers are controlled by the user through the I<sup>2</sup>C bus interface. The potentiometer has an associated volatile Wiper Register (WR) that can be directly written to and read by the user. The contents of the WR controls the position of the wiper. When powered on, the ISL23315's wiper will always commence at mid-scale (128 tap position).

The low voltage, low power consumption, and small package of the ISL23315 make it an ideal choice for use in battery operated equipment. In addition, the ISL23315 has a V<sub>LOGIC</sub> pin allowing down to 1.2V bus operation, independent from the V<sub>CC</sub> value. This allows for low logic levels to be connected directly to the ISL23315 without passing through a voltage level shifter.

The DCP can be used as a three-terminal potentiometer or as a two-terminal variable resistor in a wide variety of applications including control, parameter adjustments, and signal processing.

Features

- 256 resistor taps
- I<sup>2</sup>C serial interface
  - No additional level translator for low bus supply
  - Two address pins allow up to four devices per bus
- Power supply
  - V<sub>CC</sub> = 1.7V to 5.5V analog power supply
  - V<sub>LOGIC</sub> = 1.2V to 5.5V I<sup>2</sup>C bus/logic power supply
- Wiper resistance: 70Ω typical @ V<sub>CC</sub> = 3.3V
- Shutdown Mode - forces the DCP into an end-to-end open circuit and R<sub>W</sub> is shorted to R<sub>L</sub> internally
- Power-on preset to mid-scale (128 tap position)
- Shutdown and standby current <2.8μA max
- DCP terminal voltage from 0V to V<sub>CC</sub>
- 10kΩ, 50kΩ or 100kΩ total resistance
- Extended industrial temperature range: -40°C to +125°C
- 10 Ld MSOP or 10 Ld μTQFN packages
- Pb-free (RoHS compliant)

Applications

- Power supply margining
- RF power amplifier bias compensation
- LCD bias compensation
- Laser diode bias compensation

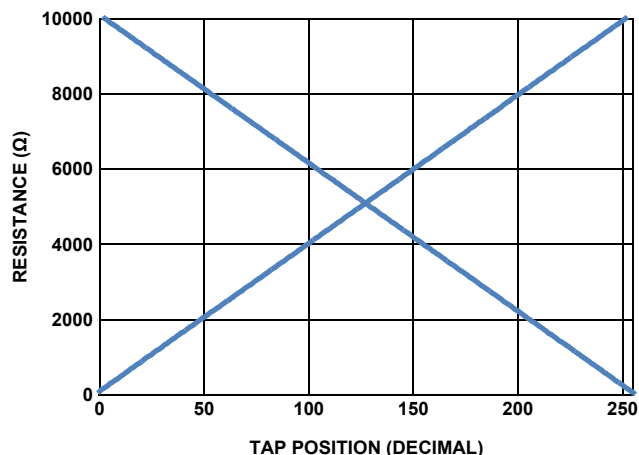


FIGURE 1. FORWARD AND BACKWARD RESISTANCE vs TAP POSITION, 10k DCP

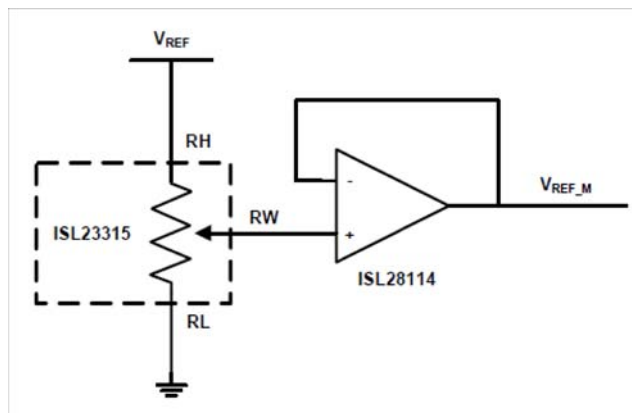
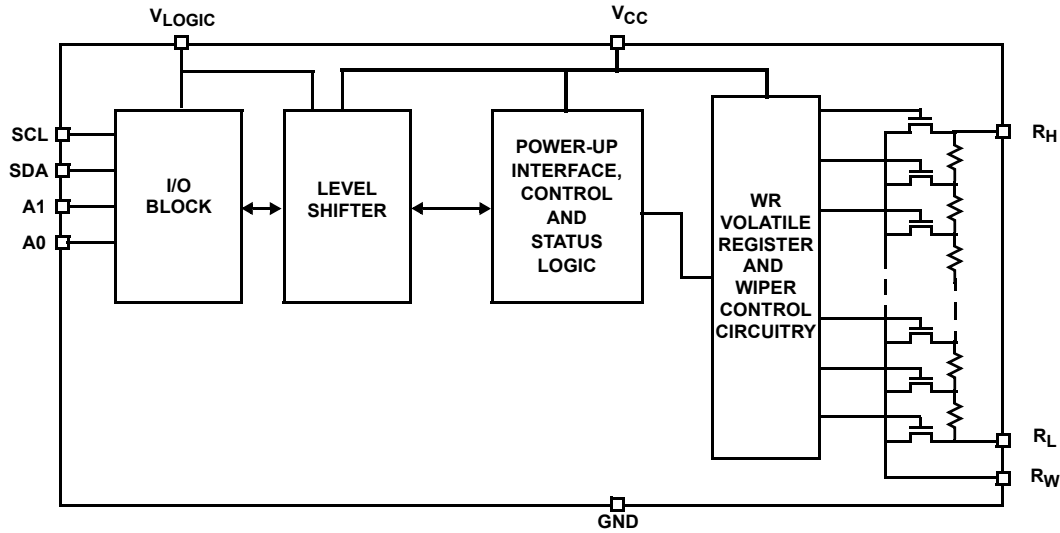
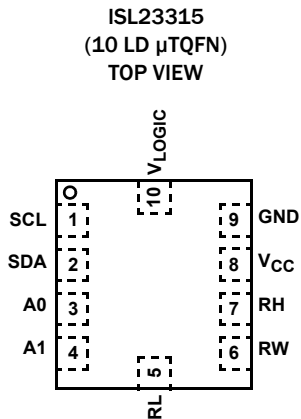
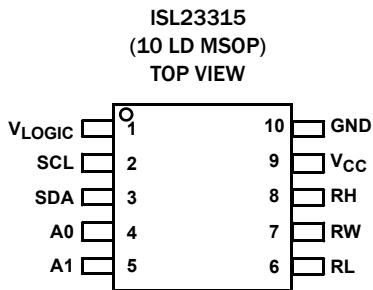


FIGURE 2. V<sub>REF</sub> ADJUSTMENT

## Block Diagram



## Pin Configurations



## Pin Descriptions

| MSOP | $\mu$ TQFN | SYMBOL             | DESCRIPTION  |
|------|------------|--------------------|--|
| 1    | 10         | V <sub>LOGIC</sub> | I <sup>2</sup> C bus /logic supply. Range 1.2V to 5.5V   |
| 2    | 1          | SCL                | Logic Pin - Serial bus clock input   |
| 3    | 2          | SDA                | Logic Pin - Serial bus data input/open drain output  |
| 4    | 3          | A0                 | Logic Pin - Hardwire slave address pin for I <sup>2</sup> C serial bus. Range: V <sub>LOGIC</sub> or GND |
| 5    | 4          | A1                 | Logic Pin - Hardwire slave address pin for I <sup>2</sup> C serial bus. Range: V <sub>LOGIC</sub> or GND |
| 6    | 5          | RL                 | DCP "low" terminal   |
| 7    | 6          | RW                 | DCP wiper terminal   |
| 8    | 7          | RH                 | DCP "high" terminal  |
| 9    | 8          | V <sub>CC</sub>    | Analog power supply. Range 1.7V to 5.5V  |
| 10   | 9          | GND                | Ground pin   |

## Ordering Information

| PART NUMBER<br>(Note 5)   | PART<br>MARKING | RESISTANCE<br>OPTION<br>(k $\Omega$ ) | TEMP<br>RANGE<br>(°C) | PACKAGE<br>(Pb-free)     | PKG.<br>DWG. # |
|---|-----------------|---------------------------------------|-----------------------|--------------------------|----------------|
| ISL23315TFUZ (Notes 1, 3)   | 3315T           | 100                                   | -40 to +125           | 10 Ld MSOP               | M10.118        |
| ISL23315UFUZ (Notes 1, 3)<br>(No longer available, recommended replacement: ISL23315TFUZ-TK)      | 3315U           | 50                                    | -40 to +125           | 10 Ld MSOP               | M10.118        |
| ISL23315WFUZ (Notes 1, 3)   | 3315W           | 10                                    | -40 to +125           | 10 Ld MSOP               | M10.118        |
| ISL23315TFRUZ-T7A (Notes 2, 4)  | HB              | 100                                   | -40 to +125           | 10 Ld 2.1x1.6 $\mu$ TQFN | L10.2.1x1.6A   |
| ISL23315TFRUZ-TK (Notes 2, 4)   | HB              | 100                                   | -40 to +125           | 10 Ld 2.1x1.6 $\mu$ TQFN | L10.2.1x1.6A   |
| ISL23315UFRUZ-T7A (Notes 2, 4)<br>(No longer available, recommended replacement: ISL23315TFUZ-TK) | HA              | 50                                    | -40 to +125           | 10 Ld 2.1x1.6 $\mu$ TQFN | L10.2.1x1.6A   |
| ISL23315UFRUZ-TK (Notes 2, 4)<br>(No longer available, recommended replacement: ISL23315TFUZ-TK)  | HA              | 50                                    | -40 to +125           | 10 Ld 2.1x1.6 $\mu$ TQFN | L10.2.1x1.6A   |
| ISL23315WFRUZ-T7A (Notes 2, 4)<br>(No longer available, recommended replacement: ISL23315TFUZ-TK) | GZ              | 10                                    | -40 to +125           | 10 Ld 2.1x1.6 $\mu$ TQFN | L10.2.1x1.6A   |
| ISL23315WFRUZ-TK (Notes 2, 4)<br>(No longer available, recommended replacement: ISL23315TFUZ-TK)  | GZ              | 10                                    | -40 to +125           | 10 Ld 2.1x1.6 $\mu$ TQFN | L10.2.1x1.6A   |

### NOTES:

1. Add "-TK" or "-T7A" suffix for Tape and Reel option. Please refer to [IB347](#) for details on reel specifications.
2. Please refer to [IB347](#) for details on reel specifications.
3. These Intersil Pb-free plastic packaged products employ special Pb-free material sets, molding compounds/die attach materials, and 100% matte tin plate plus anneal (e3 termination finish, which is RoHS compliant and compatible with both SnPb and Pb-free soldering operations). Intersil Pb-free products are MSL classified at Pb-free peak reflow temperatures that meet or exceed the Pb-free requirements of IPC/JEDEC J STD-020.
4. These Intersil Pb-free plastic packaged products employ special Pb-free material sets; molding compounds/die attach materials and NiPdAu plate-e4 termination finish, which is RoHS compliant and compatible with both SnPb and Pb-free soldering operations. Intersil Pb-free products are MSL classified at Pb-free peak reflow temperatures that meet or exceed the Pb-free requirements of IPC/JEDEC J STD-020
5. For Moisture Sensitivity Level (MSL), please see device information page for [ISL23315](#). For more information on MSL please see techbrief [TB363](#).

## Absolute Maximum Ratings

|  |                |
|--|----------------|
| Supply Voltage Range                       | -0.3V to 6.0V  |
| V <sub>CC</sub>                            | -0.3V to 6.0V  |
| V <sub>LOGIC</sub>                         | -0.3V to 6.0V  |
| Voltage on Any DCP Terminal Pin            | -0.3V to 6.0V  |
| Voltage on Any Digital Pins                | -0.3V to 6.0V  |
| Wiper current I <sub>W</sub> (10s)         | ±6mA           |
| ESD Rating                                 |                |
| Human Body Model (Tested per JESD22-A114E) | 6.5kV          |
| CDM Model (Tested per JESD22-A114E)        | 1kV            |
| Machine Model (Tested per JESD22-A115-A)   | 200V           |
| Latch Up                                   |                |
| (Tested per JESD-78B; Class 2, Level A)    | 100mA @ +125°C |

## Thermal Information

|  |   |                        |
|--|---|------------------------|
| Thermal Resistance (Typical)                   | θ <sub>JA</sub> (°C/W)  | θ <sub>JC</sub> (°C/W) |
| 10 Ld MSOP Package (Notes 6, 7)                | 170   | 70                     |
| 10 Ld μTQFN Package (Notes 6, 7)               | 145   | 90                     |
| Maximum Junction Temperature (Plastic Package) | +150°C  |                        |
| Storage Temperature Range                      | -65°C to +150°C   |                        |
| Pb-Free Reflow Profile                         | see link below  |                        |
|  | <a href="http://www.intersil.com/pbfree/Pb-FreeReflow.asp">http://www.intersil.com/pbfree/Pb-FreeReflow.asp</a> |                        |

## Recommended Operating Conditions

|                                   |                      |
|-----------------------------------|----------------------|
| Temperature                       | -40°C to +125°C      |
| V <sub>CC</sub> Supply Voltage    | 1.7V to 5.5V         |
| V <sub>LOGIC</sub> Supply Voltage | 1.2V to 5.5V         |
| DCP Terminal Voltage              | 0 to V <sub>CC</sub> |
| Max Wiper Current                 | ±3mA                 |

**CAUTION:** Do not operate at or near the maximum ratings listed for extended periods of time. Exposure to such conditions may adversely impact product reliability and result in failures not covered by warranty.

### NOTES:

- θ<sub>JA</sub> is measured with the component mounted on a high effective thermal conductivity test board in free air. See Tech Brief [TB379](#) for details.
- For θ<sub>JC</sub>, the “case temp” location is the center top of the package.

## Analog Specifications

V<sub>CC</sub> = 2.7V to 5.5V, V<sub>LOGIC</sub> = 1.2V to 5.5V over recommended operating conditions unless otherwise stated. **Boldface limits apply over the operating temperature range, -40°C to +125°C.**

| SYMBOL   | PARAMETER   | TEST CONDITIONS   | MIN<br>(Note 20) | TYP<br>(Note 8) | MAX<br>(Note 20)      | UNITS  |        |
|--|---|---|------------------|-----------------|-----------------------|--------|--------|
| R <sub>TOTAL</sub>                             | R <sub>H</sub> to R <sub>L</sub> Resistance           | W option  |                  | 10              |                       | kΩ     |        |
|  |   | U option  |                  | 50              |                       | kΩ     |        |
|  |   | T option  |                  | 100             |                       | kΩ     |        |
|  | R <sub>H</sub> to R <sub>L</sub> Resistance Tolerance |   | <b>-20</b>       | ±2              | <b>+20</b>            | %      |        |
|  | End-to-End Temperature Coefficient                    | W option  |                  |                 | 175                   |        | ppm/°C |
|  |   | U option  |                  |                 | 85                    |        | ppm/°C |
| T option                                       |   |   |                  | 70              |                       | ppm/°C |        |
| V <sub>RH</sub> , V <sub>RL</sub>              | DCP Terminal Voltage                                  | V <sub>RH</sub> or V <sub>RL</sub> to GND   | <b>0</b>         |                 | <b>V<sub>CC</sub></b> | V      |        |
| R <sub>W</sub>                                 | Wiper Resistance                                      | R <sub>H</sub> - floating, V <sub>RL</sub> = 0V, force I <sub>W</sub> current to the wiper,<br>I <sub>W</sub> = (V <sub>CC</sub> - V <sub>RL</sub> )/R <sub>TOTAL</sub> ,<br>V <sub>CC</sub> = 2.7V to 5.5V |                  | 70              | <b>200</b>            | Ω      |        |
|  |   | V <sub>CC</sub> = 1.7V  |                  | 580             |                       | Ω      |        |
| C <sub>H</sub> /C <sub>L</sub> /C <sub>W</sub> | Terminal Capacitance                                  | See “DCP Macro Model” on page 9   |                  | 32              |                       | pF     |        |
| I <sub>LkgDCP</sub>                            | Leakage on DCP Pins                                   | Voltage at pin from GND to V <sub>CC</sub>  | <b>-0.4</b>      | < 0.1           | <b>0.4</b>            | μA     |        |
| Noise  | Resistor Noise Density                                | Wiper at middle point, W option   |                  | 16              |                       | nV/√Hz |        |
|  |   | Wiper at middle point, U option   |                  | 49              |                       | nV/√Hz |        |
|  |   | Wiper at middle point, T option   |                  | 61              |                       | nV/√Hz |        |
| Feed Thru                                      | Digital Feed-through from Bus to Wiper                | Wiper at middle point   |                  | -65             |                       | dB     |        |
| PSRR   | Power Supply Reject Ratio                             | Wiper output change if V <sub>CC</sub> change ±10%; wiper at middle point   |                  | -75             |                       | dB     |        |

**Analog Specifications**  $V_{CC} = 2.7V$  to  $5.5V$ ,  $V_{LOGIC} = 1.2V$  to  $5.5V$  over recommended operating conditions unless otherwise stated. **Boldface limits apply over the operating temperature range,  $-40^{\circ}C$  to  $+125^{\circ}C$ .** (Continued)

| SYMBOL   | PARAMETER  | TEST CONDITIONS                        | MIN<br>(Note 20) | TYP<br>(Note 8) | MAX<br>(Note 20) | UNITS            |
|--|--|--|------------------|-----------------|------------------|------------------|
| <b>VOLTAGE DIVIDER MODE (0V @ RL; <math>V_{CC}</math> @ RH; measured at RW, unloaded)</b>                                    |  |  |                  |                 |                  |                  |
| INL<br>(Note 13)   | Integral Non-linearity, Guaranteed Monotonic     | W option                               | <b>-1.0</b>      | $\pm 0.5$       | <b>+1.0</b>      | LSB<br>(Note 9)  |
|  |  | U, T option                            | <b>-0.5</b>      | $\pm 0.15$      | <b>+0.5</b>      | LSB<br>(Note 9)  |
| DNL<br>(Note 12)   | Differential Non-linearity, Guaranteed Monotonic | W option                               | <b>-1</b>        | $\pm 0.4$       | <b>+1</b>        | LSB<br>(Note 9)  |
|  |  | U, T option                            | <b>-0.4</b>      | $\pm 0.1$       | <b>+0.4</b>      | LSB<br>(Note 9)  |
| FSerror<br>(Note 11)   | Full-scale Error                                 | W option                               | <b>-3.5</b>      | -2              | <b>0</b>         | LSB<br>(Note 9)  |
|  |  | U, T option                            | <b>-2</b>        | -0.5            | <b>0</b>         | LSB<br>(Note 9)  |
| ZSerror<br>(Note 10)   | Zero-scale Error                                 | W option                               | <b>0</b>         | 2               | <b>3.5</b>       | LSB<br>(Note 9)  |
|  |  | U, T option                            | <b>0</b>         | 0.4             | <b>2</b>         | LSB<br>(Note 9)  |
| TC <sub>V</sub><br>(Notes 14)  | Ratiometric Temperature Coefficient              | W option, Wiper Register set to 80 hex |                  | 8               |                  | ppm/ $^{\circ}C$ |
|  |  | U option, Wiper Register set to 80 hex |                  | 4               |                  | ppm/ $^{\circ}C$ |
|  |  | T option, Wiper Register set to 80 hex |                  | 2.3             |                  | ppm/ $^{\circ}C$ |
|  | Large Signal Wiper Settling Time                 | From code 0 to FF hex                  |                  | 300             |                  | ns               |
| f <sub>cutoff</sub>  | -3dB Cutoff Frequency                            | Wiper at middle point W option         |                  | 1200            |                  | kHz              |
|  |  | Wiper at middle point U option         |                  | 250             |                  | kHz              |
|  |  | Wiper at middle point T option         |                  | 120             |                  | kHz              |
| <b>RHEOSTAT MODE (Measurements between RW and RL pins with RH not connected, or between RW and RH with RL not connected)</b> |  |  |                  |                 |                  |                  |
| R <sub>INL</sub><br>(Note 18)  | Integral Non-linearity, Guaranteed Monotonic     | W option; $V_{CC} = 2.7V$ to $5.5V$    | <b>-2.0</b>      | $\pm 1$         | <b>+2.0</b>      | MI<br>(Note 15)  |
|  |  | W option; $V_{CC} = 1.7V$              |                  | 10.5            |                  | MI<br>(Note 15)  |
|  |  | U, T option; $V_{CC} = 2.7V$ to $5.5V$ | <b>-1.0</b>      | $\pm 0.3$       | <b>+1.0</b>      | MI<br>(Note 15)  |
|  |  | U, T option; $V_{CC} = 1.7V$           |                  | 2.1             |                  | MI<br>(Note 15)  |
| R <sub>DNL</sub><br>(Note 17)  | Differential Non-linearity, Guaranteed Monotonic | W option; $V_{CC} = 2.7V$ to $5.5V$    | <b>-1</b>        | $\pm 0.4$       | <b>+1</b>        | MI<br>(Note 15)  |
|  |  | W option; $V_{CC} = 1.7V$              |                  | $\pm 0.6$       |                  | MI<br>(Note 15)  |
|  |  | U, T option; $V_{CC} = 2.7V$ to $5.5V$ | <b>-0.5</b>      | $\pm 0.15$      | <b>+0.5</b>      | MI<br>(Note 15)  |
|  |  | U, T option; $V_{CC} = 1.7V$           |                  | $\pm 0.35$      |                  | MI<br>(Note 15)  |

**Analog Specifications**  $V_{CC} = 2.7V$  to  $5.5V$ ,  $V_{LOGIC} = 1.2V$  to  $5.5V$  over recommended operating conditions unless otherwise stated. **Boldface limits apply over the operating temperature range,  $-40^{\circ}C$  to  $+125^{\circ}C$ . (Continued)**

| SYMBOL                    | PARAMETER                          | TEST CONDITIONS  | MIN<br>(Note 20) | TYP<br>(Note 8) | MAX<br>(Note 20) | UNITS            |
|---------------------------|------------------------------------|--|------------------|-----------------|------------------|------------------|
| $R_{offset}$<br>(Note 16) | Offset, Wiper at 0 Position        | W option; $V_{CC} = 2.7V$ to $5.5V$                    | <b>0</b>         | 3               | <b>5.5</b>       | MI<br>(Note 15)  |
|                           |                                    | W option; $V_{CC} = 1.7V$                              |                  | 6.3             |                  | MI<br>(Note 15)  |
|                           |                                    | U, T option; $V_{CC} = 2.7V$ to $5.5V$                 | <b>0</b>         | 0.5             | <b>2</b>         | MI<br>(Note 15)  |
|                           |                                    | U, T option; $V_{CC} = 1.7V$                           |                  | 1.1             |                  | MI<br>(Note 15)  |
| TCR<br>(Note 19)          | Resistance Temperature Coefficient | W option; Wiper register set between 32 hex and FF hex |                  | 220             |                  | ppm/ $^{\circ}C$ |
|                           |                                    | U option; Wiper register set between 32 hex and FF hex |                  | 100             |                  | ppm/ $^{\circ}C$ |
|                           |                                    | T option; Wiper register set between 32 hex and FF hex |                  | 75              |                  | ppm/ $^{\circ}C$ |

**Operating Specifications**  $V_{CC} = 2.7V$  to  $5.5V$ ,  $V_{LOGIC} = 1.2V$  to  $5.5V$  over recommended operating conditions unless otherwise stated. **Boldface limits apply over the operating temperature range,  $-40^{\circ}C$  to  $+125^{\circ}C$ .**

| SYMBOL           | PARAMETER                               | TEST CONDITIONS  | MIN<br>(Note 20) | TYP<br>(Note 8) | MAX<br>(Note 20) | UNITS   |
|------------------|---|--|------------------|-----------------|------------------|---------|
| $I_{LOGIC}$      | $V_{LOGIC}$ Supply Current (Write/Read) | $V_{LOGIC} = 5.5V$ , $V_{CC} = 5.5V$ ,<br>$f_{SCL} = 400$ kHz (for I <sup>2</sup> C active read and write) |                  |                 | <b>200</b>       | $\mu A$ |
|                  |   | $V_{LOGIC} = 1.2V$ , $V_{CC} = 1.7V$ ,<br>$f_{SCL} = 400$ kHz (for I <sup>2</sup> C active read and write) |                  |                 | <b>5</b>         | $\mu A$ |
| $I_{CC}$         | $V_{CC}$ Supply Current (Write/Read)    | $V_{LOGIC} = 5.5V$ , $V_{CC} = 5.5V$   |                  |                 | <b>18</b>        | $\mu A$ |
|                  |   | $V_{LOGIC} = 1.2V$ , $V_{CC} = 1.7V$   |                  |                 | <b>10</b>        | $\mu A$ |
| $I_{LOGIC SB}$   | $V_{LOGIC}$ Standby Current             | $V_{LOGIC} = V_{CC} = 5.5V$ ,<br>I <sup>2</sup> C interface in standby                                     |                  |                 | <b>1.3</b>       | $\mu A$ |
|                  |   | $V_{LOGIC} = 1.2V$ , $V_{CC} = 1.7V$ ,<br>I <sup>2</sup> C interface in standby                            |                  |                 | <b>0.4</b>       | $\mu A$ |
| $I_{CC SB}$      | $V_{CC}$ Standby Current                | $V_{LOGIC} = V_{CC} = 5.5V$ ,<br>I <sup>2</sup> C interface in standby                                     |                  |                 | <b>1.5</b>       | $\mu A$ |
|                  |   | $V_{LOGIC} = 1.2V$ , $V_{CC} = 1.7V$ ,<br>I <sup>2</sup> C interface in standby                            |                  |                 | <b>1</b>         | $\mu A$ |
| $I_{LOGIC SHDN}$ | $V_{LOGIC}$ Shutdown Current            | $V_{LOGIC} = V_{CC} = 5.5V$ ,<br>I <sup>2</sup> C interface in standby                                     |                  |                 | <b>1.3</b>       | $\mu A$ |
|                  |   | $V_{LOGIC} = 1.2V$ , $V_{CC} = 1.7V$ ,<br>I <sup>2</sup> C interface in standby                            |                  |                 | <b>0.4</b>       | $\mu A$ |
| $I_{CC SHDN}$    | $V_{CC}$ Shutdown Current               | $V_{LOGIC} = V_{CC} = 5.5V$ ,<br>I <sup>2</sup> C interface in standby                                     |                  |                 | <b>1.5</b>       | $\mu A$ |
|                  |   | $V_{LOGIC} = 1.2V$ , $V_{CC} = 1.7V$ ,<br>I <sup>2</sup> C interface in standby                            |                  |                 | <b>1</b>         | $\mu A$ |

**Operating Specifications**  $V_{CC} = 2.7V$  to  $5.5V$ ,  $V_{LOGIC} = 1.2V$  to  $5.5V$  over recommended operating conditions unless otherwise stated. **Boldface limits apply over the operating temperature range,  $-40^{\circ}C$  to  $+125^{\circ}C$ .** (Continued)

| SYMBOL                                   | PARAMETER                                 | TEST CONDITIONS  | MIN<br>(Note 20) | TYP<br>(Note 8) | MAX<br>(Note 20) | UNITS   |
|--|---|--|------------------|-----------------|------------------|---------|
| $t_{DCP}$                                | Wiper Response Time                       | W option; SCL rising edge of the acknowledge bit after data byte to wiper new position from 10% to 90% of the final value. |                  | 0.4             |                  | $\mu s$ |
|  |   | U option; SCL rising edge of the acknowledge bit after data byte to wiper new position from 10% to 90% of the final value. |                  | 1.5             |                  | $\mu s$ |
|  |   | T option; SCL rising edge of the acknowledge bit after data byte to wiper new position from 10% to 90% of the final value. |                  | 3.5             |                  | $\mu s$ |
| $I_{LkgDig}$                             | Leakage Current, at Pins A0, A1, SDA, SCL | Voltage at pin from GND to $V_{LOGIC}$   | <b>-0.4</b>      | <0.1            | <b>0.4</b>       | $\mu A$ |
| $t_{ShdnRec}$                            | DCP Recall Time from Shutdown Mode        | SCL rising edge of the acknowledge bit after ACR data byte to wiper recalled position and RH connection                    |                  | 1.5             |                  | $\mu s$ |
| $V_{CC}, V_{LOGIC}$<br>Ramp<br>(Note 21) | $V_{CC}, V_{LOGIC}$ Ramp Rate             | Ramp monotonic at any level  | <b>0.01</b>      |                 | <b>50</b>        | V/ms    |

**Serial Interface Specification** for SCL, SDA, A0, A1 Unless Otherwise Noted.

| SYMBOL       | PARAMETER  | TEST CONDITIONS  | MIN<br>(Note 20)        | TYP<br>(Note 8) | MAX<br>(Note 20)       | UNITS |
|--------------|--|--|-------------------------|-----------------|------------------------|-------|
| $V_{IL}$     | Input LOW Voltage  |  | -0.3                    |                 | $0.3 \times V_{LOGIC}$ | V     |
| $V_{IH}$     | Input HIGH Voltage   |  | $0.7 \times V_{LOGIC}$  |                 | $V_{LOGIC} + 0.3$      | V     |
| Hysteresis   | SDA and SCL Input Buffer Hysteresis                              | $V_{LOGIC} > 2V$   | $0.05 \times V_{LOGIC}$ |                 |                        | V     |
|              |  | $V_{LOGIC} < 2V$   | $0.1 \times V_{LOGIC}$  |                 |                        |       |
| $V_{OL}$     | SDA Output Buffer LOW Voltage                                    | $I_{OL} = 3mA, V_{LOGIC} > 2V$   | 0                       |                 | 0.4                    | V     |
|              |  | $I_{OL} = 1.5mA, V_{LOGIC} < 2V$   |                         |                 | $0.2 \times V_{LOGIC}$ | V     |
| $C_{pin}$    | SDA, SCL Pin Capacitance   |  |                         | 10              |                        | pF    |
| $f_{SCL}$    | SCL Frequency  |  |                         |                 | 400                    | kHz   |
| $t_{sp}$     | Pulse Width Suppression Time at SDA and SCL Inputs               | Any pulse narrower than the max spec is suppressed   |                         |                 | 50                     | ns    |
| $t_{AA}$     | SCL Falling Edge to SDA Output Data Valid                        | SCL falling edge crossing 30% of $V_{LOGIC}$ , until SDA exits the 30% to 70% of $V_{LOGIC}$ window                              |                         |                 | 900                    | ns    |
| $t_{BUF}$    | Time the Bus Must be Free Before the Start of a New Transmission | SDA crossing 70% of $V_{LOGIC}$ during a STOP condition, to SDA crossing 70% of $V_{LOGIC}$ during the following START condition | 1300                    |                 |                        | ns    |
| $t_{LOW}$    | Clock LOW Time   | Measured at the 30% of $V_{LOGIC}$ crossing  | 1300                    |                 |                        | ns    |
| $t_{HIGH}$   | Clock HIGH Time  | Measured at the 70% of $V_{LOGIC}$ crossing  | 600                     |                 |                        | ns    |
| $t_{SU:STA}$ | START Condition Set-up Time                                      | SCL rising edge to SDA falling edge; both crossing 70% of $V_{LOGIC}$  | 600                     |                 |                        | ns    |

**Serial Interface Specification** for SCL, SDA, A0, A1 Unless Otherwise Noted. (Continued)

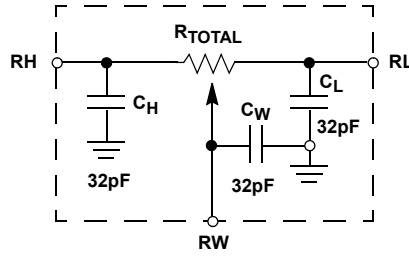
| SYMBOL              | PARAMETER                                  | TEST CONDITIONS   | MIN<br>(Note 20)          | TYP<br>(Note 8) | MAX<br>(Note 20) | UNITS |
|---------------------|--|---|---------------------------|-----------------|------------------|-------|
| t <sub>HD:STA</sub> | START Condition Hold Time                  | From SDA falling edge crossing 30% of V <sub>LOGIC</sub> to SCL falling edge crossing 70% of V <sub>LOGIC</sub>   | 600                       |                 |                  | ns    |
| t <sub>SU:DAT</sub> | Input Data Set-up Time                     | From SDA exiting the 30% to 70% of V <sub>LOGIC</sub> window, to SCL rising edge crossing 30% of V <sub>LOGIC</sub>   | 100                       |                 |                  | ns    |
| t <sub>HD:DAT</sub> | Input Data Hold Time                       | From SCL falling edge crossing 70% of V <sub>CC</sub> to SDA entering the 30% to 70% of V <sub>CC</sub> window  | 0                         |                 |                  | ns    |
| t <sub>SU:STO</sub> | STOP Condition Set-up Time                 | From SCL rising edge crossing 70% of V <sub>LOGIC</sub> , to SDA rising edge crossing 30% of V <sub>LOGIC</sub>   | 600                       |                 |                  | ns    |
| t <sub>HD:STO</sub> | STOP Condition Hold Time for Read or Write | From SDA rising edge to SCL falling edge; both crossing 70% of V <sub>CC</sub> (Note 11)  | 1300                      |                 |                  | ns    |
| t <sub>DH</sub>     | Output Data Hold Time                      | From SCL falling edge crossing 30% of V <sub>LOGIC</sub> , until SDA enters the 30% to 70% of V <sub>LOGIC</sub> window.<br>I <sub>OL</sub> = 3mA, V <sub>LOGIC</sub> > 2V.<br>I <sub>OL</sub> = 0.5mA, V <sub>LOGIC</sub> < 2V | 0                         |                 |                  | ns    |
| t <sub>R</sub>      | SDA and SCL Rise Time                      | From 30% to 70% of V <sub>LOGIC</sub>   | 20 + 0.1 x C <sub>b</sub> |                 | 250              | ns    |
| t <sub>F</sub>      | SDA and SCL Fall Time                      | From 70% to 30% of V <sub>LOGIC</sub>   | 20 + 0.1 x C <sub>b</sub> |                 | 250              | ns    |
| C <sub>b</sub>      | Capacitive Loading of SDA or SCL           | Total on-chip and off-chip (Note 11)  | 10                        |                 | 400              | pF    |
| t <sub>SU:A</sub>   | A1, A0 Setup Time                          | Before START condition  | 600                       |                 |                  | ns    |
| t <sub>HD:A</sub>   | A1, A0 Hold Time                           | After STOP condition  | 600                       |                 |                  | ns    |

## NOTES:

8. Typical values are for T<sub>A</sub> = +25 °C and 3.3V supply voltages.
9.  $LSB = [V(RW)_{255} - V(RW)_0]/255$ . V(RW)<sub>255</sub> and V(RW)<sub>0</sub> are V(RW) for the DCP register set to FF hex and 00 hex respectively. LSB is the incremental voltage when changing from one tap to an adjacent tap.
10. ZS error = V(RW)<sub>0</sub>/LSB.
11. FS error = [V(RW)<sub>255</sub> - V<sub>CC</sub>]/LSB.
12. DNL = [V(RW)<sub>i</sub> - V(RW)<sub>i-1</sub>]/LSB-1, for i = 1 to 255. i is the DCP register setting.
13. INL = [V(RW)<sub>i</sub> - i • LSB - V(RW)<sub>0</sub>]/LSB for i = 1 to 255
14.  $TC_V = \frac{\text{Max}(V(RW)_i) - \text{Min}(V(RW)_i)}{V(RW_i(+25^\circ\text{C}))} \times \frac{10^6}{+165^\circ\text{C}}$  for i = 16 to 255 decimal, T = -40 °C to +125 °C. Max( ) is the maximum value of the wiper voltage and Min( ) is the minimum value of the wiper voltage over the temperature range.
15. MI = |RW<sub>255</sub> - RW<sub>0</sub>|/255. MI is a minimum increment. RW<sub>255</sub> and RW<sub>0</sub> are the measured resistances for the DCP register set to FF hex and 00 hex respectively.
16. Roffset = RW<sub>0</sub>/MI, when measuring between RW and RL.  
Roffset = RW<sub>255</sub>/MI, when measuring between RW and RH.
17. RDNL = (RW<sub>i</sub> - RW<sub>i-1</sub>)/MI -1, for i = 16 to 255.
18. RINL = [RW<sub>i</sub> - (MI • i) - RW<sub>0</sub>]/MI, for i = 16 to 255.
19.  $TC_R = \frac{[\text{Max}(R_i) - \text{Min}(R_i)]}{R_i(+25^\circ\text{C})} \times \frac{10^6}{+165^\circ\text{C}}$  for i = 16 to 255, T = -40 °C to +125 °C. Max( ) is the maximum value of the resistance and Min( ) is the minimum value of the resistance over the temperature range.
20. Compliance to datasheet limits is assured by one or more methods: production test, characterization and/or design.
21. It is preferable to ramp up both the V<sub>LOGIC</sub> and the V<sub>CC</sub> supplies at the same time. If this is not possible it is recommended to ramp-up the V<sub>LOGIC</sub> first followed by the V<sub>CC</sub>.

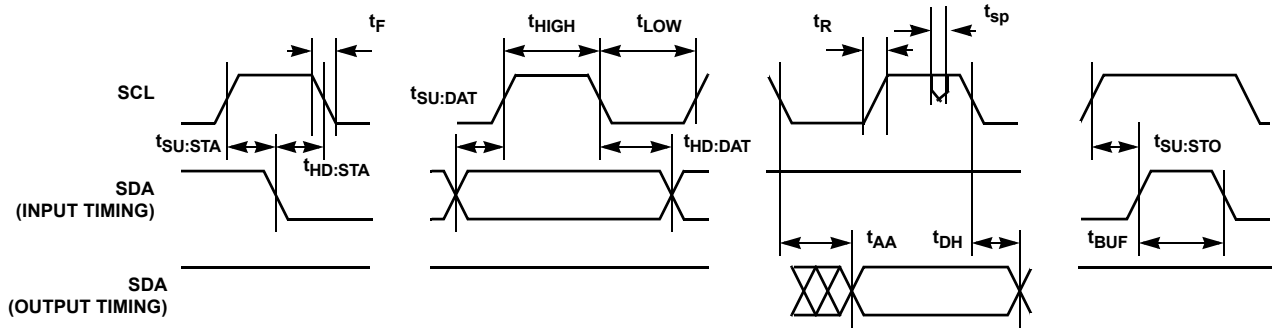


## DCP Macro Model

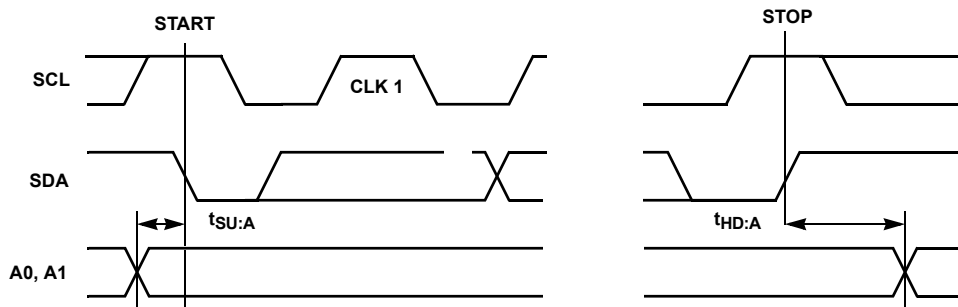


## Timing Diagrams

### SDA vs SCL Timing



### A0 and A1 Pin Timing



# Typical Performance Curves

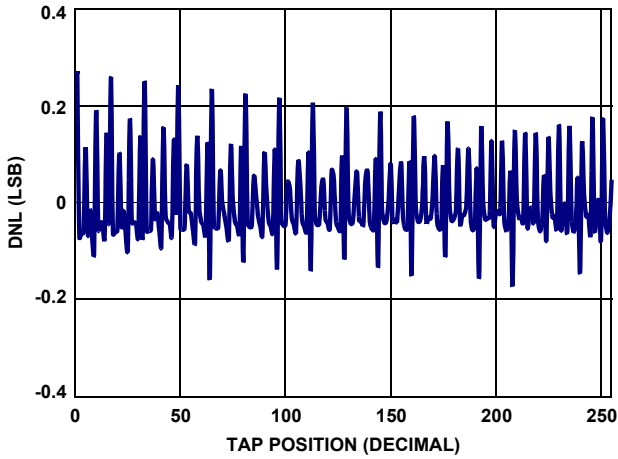


FIGURE 3. 10k DNL vs TAP POSITION,  $V_{CC} = 5V$

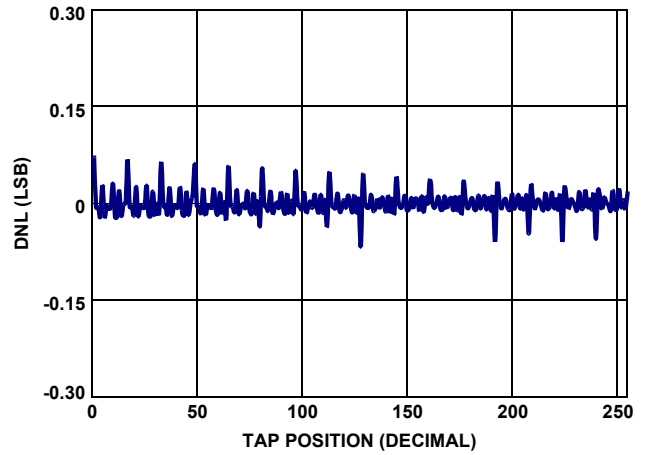


FIGURE 4. 50k DNL vs TAP POSITION,  $V_{CC} = 5V$

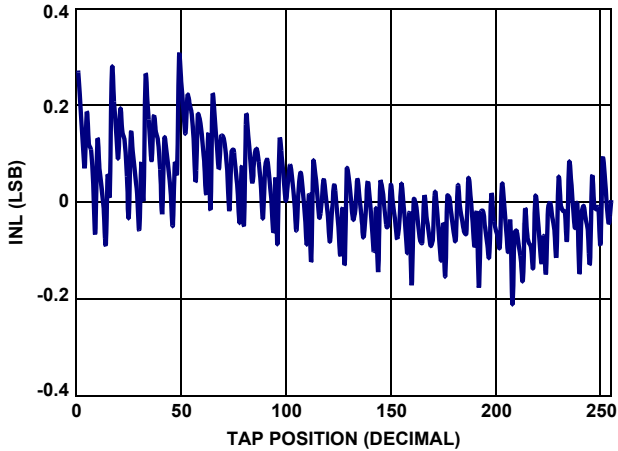


FIGURE 5. 10k INL vs TAP POSITION,  $V_{CC} = 5V$

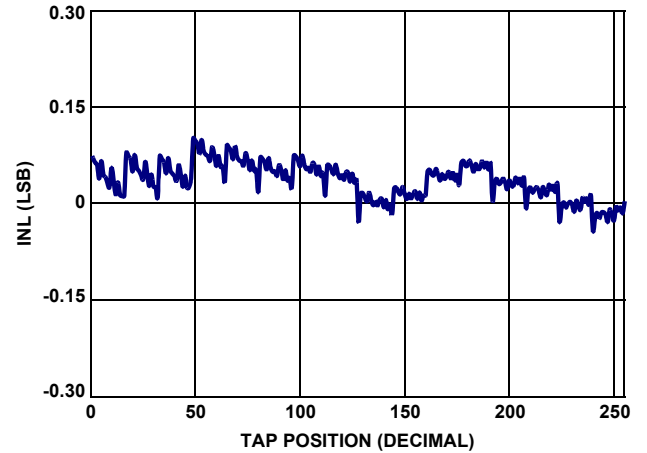


FIGURE 6. 50k INL vs TAP POSITION,  $V_{CC} = 5V$

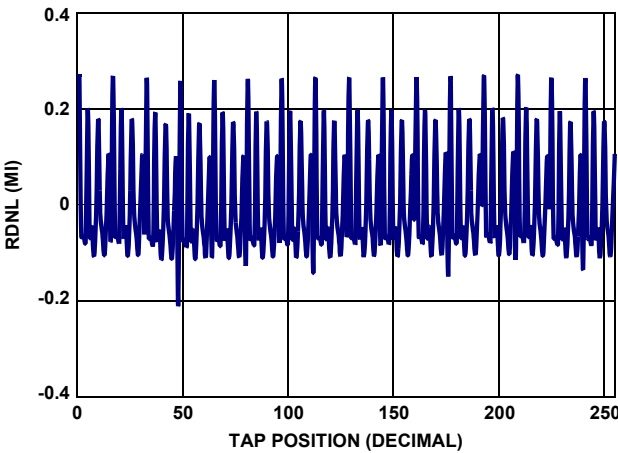


FIGURE 7. 10k RDNL vs TAP POSITION,  $V_{CC} = 5V$

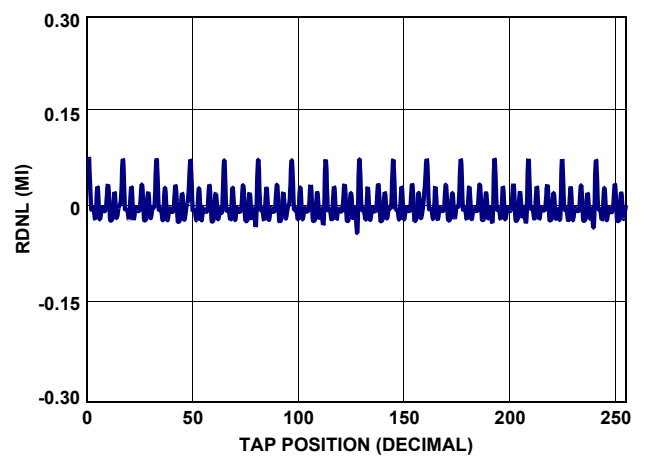


FIGURE 8. 50k RDNL vs TAP POSITION,  $V_{CC} = 5V$

**Typical Performance Curves** (Continued)

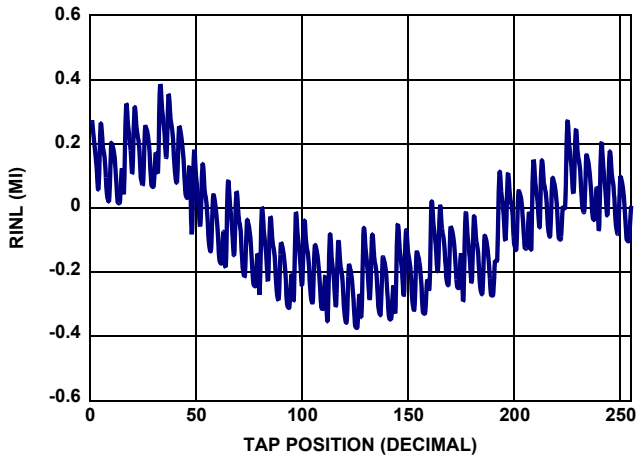


FIGURE 9. 10k RINL vs TAP POSITION,  $V_{CC} = 5V$

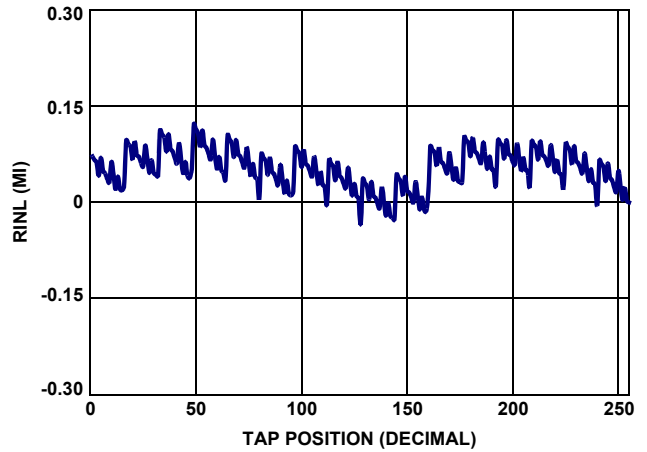


FIGURE 10. 50k RINL vs TAP POSITION,  $V_{CC} = 5V$

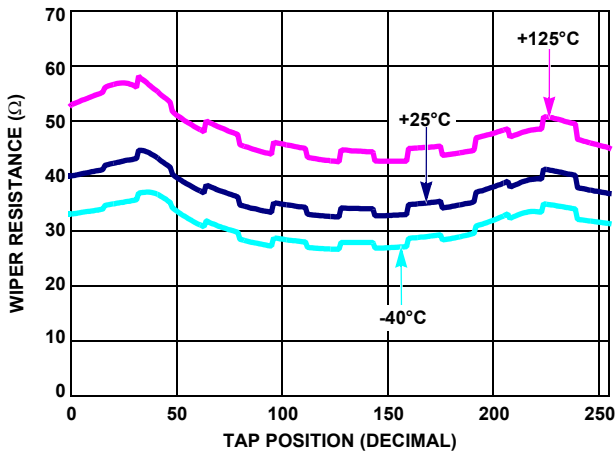


FIGURE 11. 10k WIPER RESISTANCE vs TAP POSITION,  $V_{CC} = 5V$

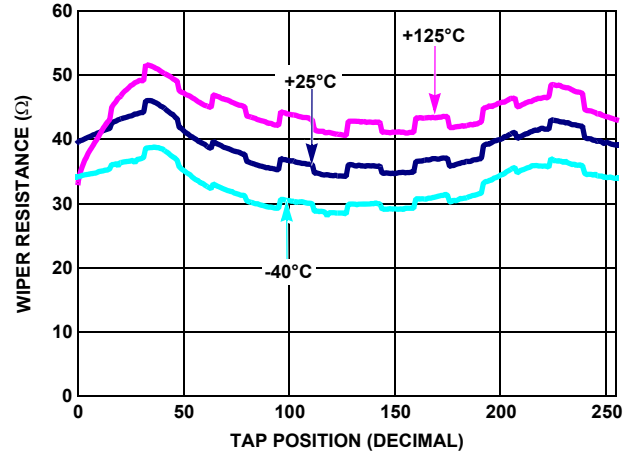


FIGURE 12. 50k WIPER RESISTANCE vs TAP POSITION,  $V_{CC} = 5V$

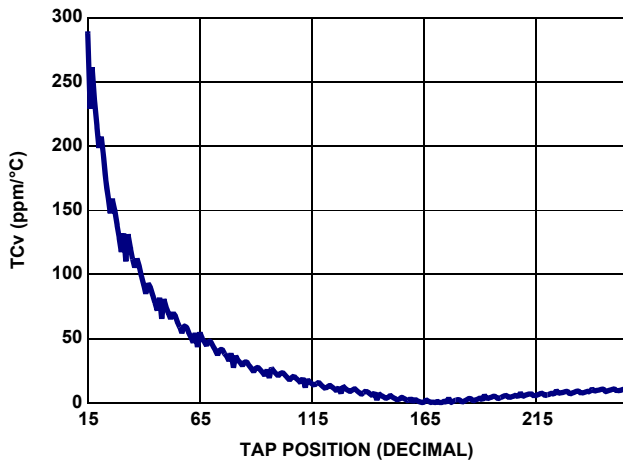


FIGURE 13. 10k TCv vs TAP POSITION

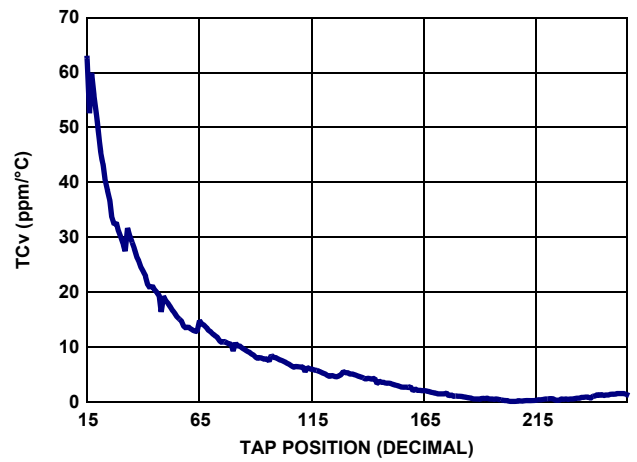


FIGURE 14. 50k TCv vs TAP POSITION

## Typical Performance Curves (Continued)

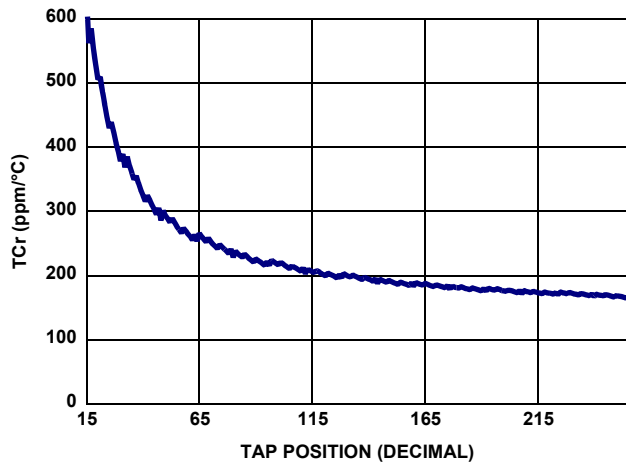


FIGURE 15. 10k TCr vs TAP POSITION

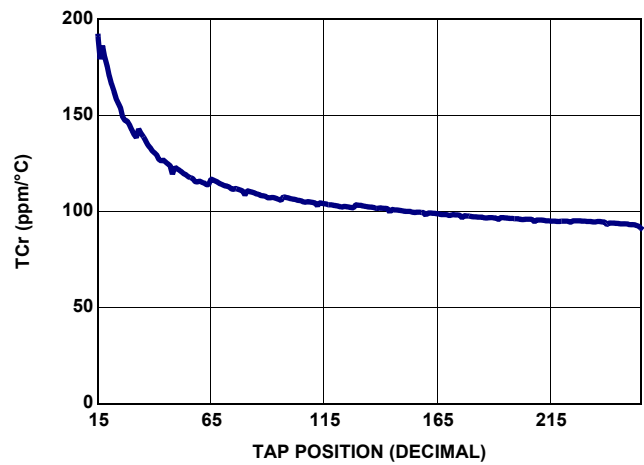


FIGURE 16. 50k TCr vs TAP POSITION

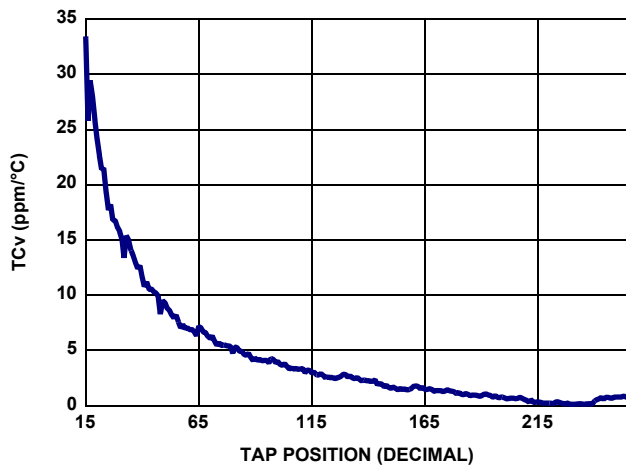


FIGURE 17. 100k TCv vs TAP POSITION

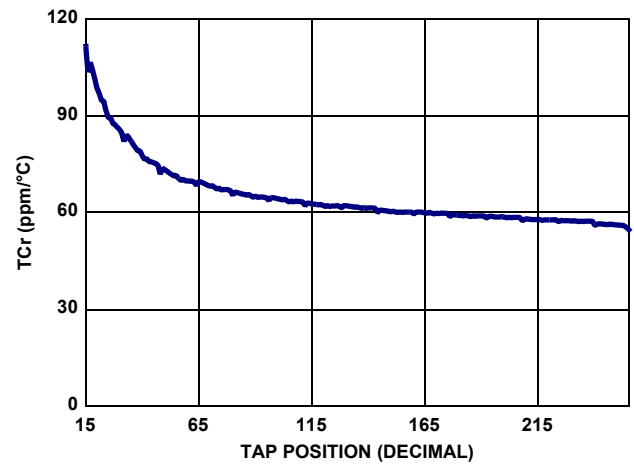


FIGURE 18. 100k TCr vs TAP POSITION

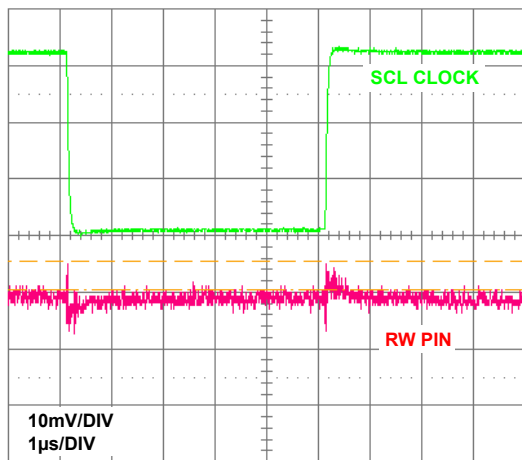


FIGURE 19. WIPER DIGITAL FEED-THROUGH

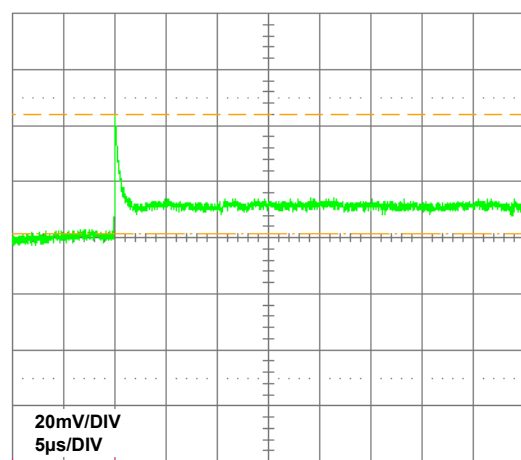


FIGURE 20. WIPER TRANSITION GLITCH

## Typical Performance Curves (Continued)

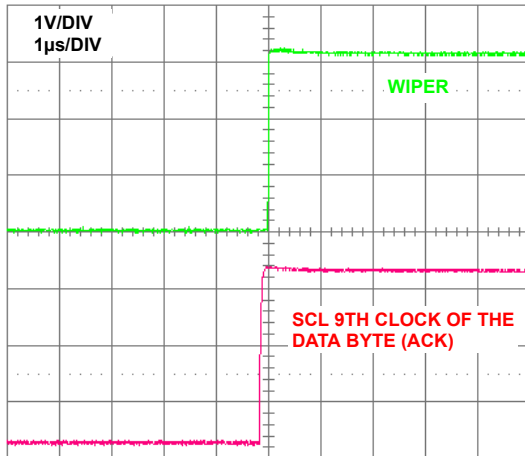


FIGURE 21. WIPER LARGE SIGNAL SETTLING TIME

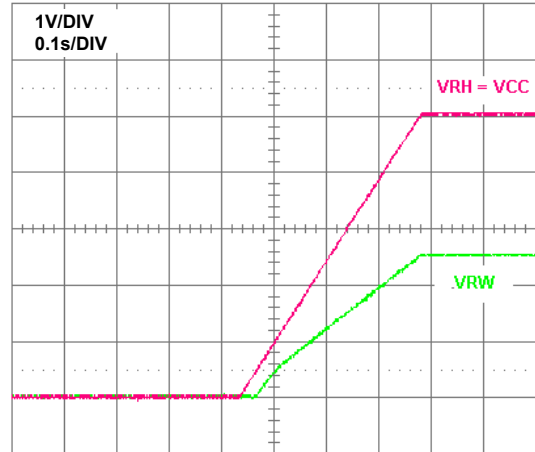


FIGURE 22. POWER-ON START-UP IN VOLTAGE DIVIDER MODE

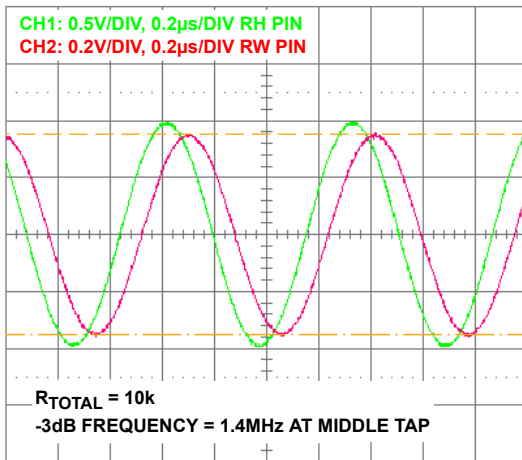


FIGURE 23. 10k -3dB CUT OFF FREQUENCY

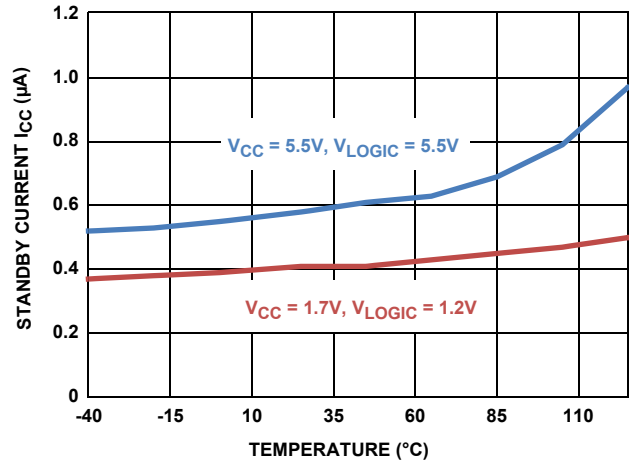


FIGURE 24. STANDBY CURRENT vs TEMPERATURE

## Functional Pin Descriptions

### Potentiometers Pins

#### RH AND RL

The high ( $R_H$ ) and low ( $R_L$ ) terminals of the ISL23315 are equivalent to the fixed terminals of a mechanical potentiometer.  $R_H$  and  $R_L$  are referenced to the relative position of the wiper and not the voltage potential on the terminals. With WR set to 255 decimal, the wiper will be closest to  $R_H$ , and with the WR set to 0, the wiper is closest to  $R_L$ .

#### RW

RW is the wiper terminal, and it is equivalent to the movable terminal of a mechanical potentiometer. The position of the wiper within the array is determined by the WR register.

### Bus Interface Pins

#### SERIAL DATA INPUT/OUTPUT (SDA)

The SDA is a bidirectional serial data input/output pin for I<sup>2</sup>C interface. It receives device address, operation code, wiper address and data from an I<sup>2</sup>C external master device at the rising edge of the serial clock SCL, and it shifts out data after each falling edge of the serial clock.

SDA requires an external pull-up resistor, since it is an open drain input/output.

#### SERIAL CLOCK (SCL)

This input is the serial clock of the I<sup>2</sup>C serial interface. SCL requires an external pull-up resistor, since a master is an open drain output.

## DEVICE ADDRESS (A1, A0)

The address inputs are used to set the least significant 2 bits of the 7-bit I<sup>2</sup>C interface slave address. A match in the slave address serial data stream must match with the Address input pins in order to initiate communication with the ISL23315. A maximum of four ISL23315 devices may occupy the I<sup>2</sup>C serial bus (see Table 3).

## V<sub>LOGIC</sub>

This is an input pin, that supplies internal level translator for serial bus operation from 1.2V to 5.5V.

## Principles of Operation

The ISL23315 is an integrated circuit incorporating one DCP with its associated registers and an I<sup>2</sup>C serial interface providing direct communication between a host and the potentiometer. The resistor array is comprised of individual resistors connected in series. At either end of the array and between each resistor is an electronic switch that transfers the potential at that point to the wiper.

The electronic switches on the device operate in a “make before break” mode when the wiper changes tap positions.

Voltage at any DCP pins, R<sub>H</sub>, R<sub>L</sub> or R<sub>W</sub>, should not exceed V<sub>CC</sub> level at any conditions during power-up and normal operation.

The V<sub>LOGIC</sub> pin needs to be connected to the I<sup>2</sup>C bus supply which allows reliable communication with the wide range of microcontrollers and independent of the V<sub>CC</sub> level. This is extremely important in systems where the master supply has lower levels than DCP analog supply.

## DCP Description

The DCP is implemented with a combination of resistor elements and CMOS switches. The physical ends of each DCP are equivalent to the fixed terminals of a mechanical potentiometer (RH and RL pins). The RW pin of the DCP is connected to intermediate nodes, and is equivalent to the wiper terminal of a mechanical potentiometer. The position of the wiper terminal within the DCP is controlled by an 8-bit volatile Wiper Register (WR). When the WR of a DCP contains all zeroes (WR[7:0]= 00h), its wiper terminal (RW) is closest to its “Low” terminal (RL). When the WR register of a DCP contains all ones (WR[7:0]= FFh), its wiper terminal (RW) is closest to its “High” terminal (RH). As the value of the WR increases from all zeroes (0) to all ones (255 decimal), the wiper moves monotonically from the position closest to RL to the position closest to RH. At the same time, the resistance between RW and RL increases monotonically, while the resistance between RH and RW decreases monotonically.

While the ISL23315 is being powered up, the WR is reset to 80h (128 decimal), which locates RW roughly at the center between R<sub>L</sub> and R<sub>H</sub>.

The WR can be read or written to directly using the I<sup>2</sup>C serial interface as described in the following sections.

## Memory Description

The ISL23315 contains two volatile 8-bit registers: Wiper Register (WR) and Access Control Register (ACR). The memory map of ISL23315 is shown in Table 1. The Wiper Register (WR) at address 0 contains current wiper position. The Access Control Register (ACR) at address 10h contains information and control bits described in Table 2.

TABLE 1. MEMORY MAP

| ADDRESS (hex) | VOLATILE REGISTER NAME | DEFAULT SETTING (hex) |
|---------------|------------------------|-----------------------|
| 10            | ACR                    | 40                    |
| 0             | WR                     | 40                    |

TABLE 2. ACCESS CONTROL REGISTER (ACR)

| BIT #      | 7 | 6    | 5 | 4 | 3 | 2 | 1 | 0 |
|------------|---|------|---|---|---|---|---|---|
| NAME/VALUE | 0 | SHDN | 0 | 0 | 0 | 0 | 0 | 0 |

## Shutdown Function

The SHDN bit (ACR[6]) disables or enables shutdown mode for all DCP channels simultaneously. When this bit is 0, i.e., DCP is forced to end-to-end open circuit and RW is connected to RL through a 2kΩ serial resistor, as shown in Figure 25. Default value of the SHDN bit is 1.

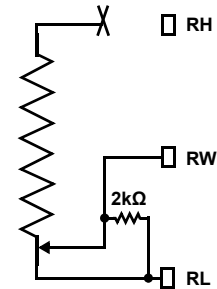


FIGURE 25. DCP CONNECTION IN SHUTDOWN MODE

In the shutdown mode, the RW terminal is shorted to the RL terminal with around 2kΩ resistance, as shown in Figure 25. When the device enters shutdown, all current DCP WR settings are maintained. When the device exits shutdown, the wipers will return to the previous WR settings after a short settling time (see Figure 26).

In shutdown mode, if there is a glitch on the power supply which causes it to drop below 1.3V for more than 0.2μs to 0.4μs, the wipers will be RESET to their mid position. This is done to avoid an undefined state at the wiper outputs.

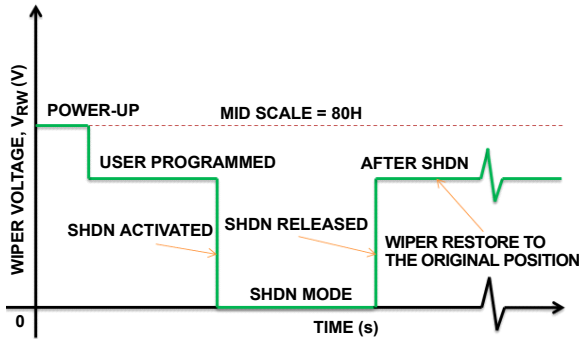


FIGURE 26. SHUTDOWN MODE WIPER RESPONSE

## I<sup>2</sup>C Serial Interface

The ISL23315 supports an I<sup>2</sup>C bidirectional bus oriented protocol. The protocol defines any device that sends data onto the bus as a transmitter and the receiving device as the receiver. The device controlling the transfer is a master and the device being controlled is the slave. The master always initiates data transfers and provides the clock for both transmit and receive operations. Therefore, the ISL23315 operates as a slave device in all applications.

All communication over the I<sup>2</sup>C interface is conducted by sending the MSB of each byte of data first.

## Protocol Conventions

Data states on the SDA line must change only during SCL LOW periods. SDA state changes during SCL HIGH are reserved for indicating START and STOP conditions (see Figure 27). On power-up of the ISL23315, the SDA pin is in the input mode.

All I<sup>2</sup>C interface operations must begin with a START condition, which is a HIGH-to-LOW transition of SDA while SCL is HIGH. The ISL23315 continuously monitors the SDA and SCL lines for the START condition and does not respond to any command until this condition is met (see Figure 27). A START condition is ignored during the power-up of the device.

All I<sup>2</sup>C interface operations must be terminated by a STOP condition, which is a LOW to HIGH transition of SDA while SCL is HIGH (see Figure 27). A STOP condition at the end of a read operation or at the end of a write operation places the device in its standby mode.

An ACK (Acknowledge) is a software convention used to indicate a successful data transfer. The transmitting device, either master or slave, releases the SDA bus after transmitting eight bits. During the ninth clock cycle, the receiver pulls the SDA line LOW to acknowledge the reception of the eight bits of data (see Figure 28).

The ISL23315 responds with an ACK after recognition of a START condition followed by a valid Identification Byte, and once again after successful receipt of an Address Byte. The ISL23315 also responds with an ACK after receiving a Data Byte of a write operation. The master must respond with an ACK after receiving a Data Byte of a read operation.

A valid Identification Byte contains 10100 as the five MSBs, and the following two bits matching the logic values present at pins A1 and A0. The LSB is the Read/Write bit. Its value is “1” for a Read operation and “0” for a Write operation (see Table 3).

TABLE 3. IDENTIFICATION BYTE FORMAT  
LOGIC VALUES AT PINS A1 AND A0, RESPECTIVELY

|       |   |   |   |   |       |    |     |
|-------|---|---|---|---|-------|----|-----|
| 1     | 0 | 1 | 0 | 0 | A1    | A0 | R/W |
| (MSB) |   |   |   |   | (LSB) |    |     |

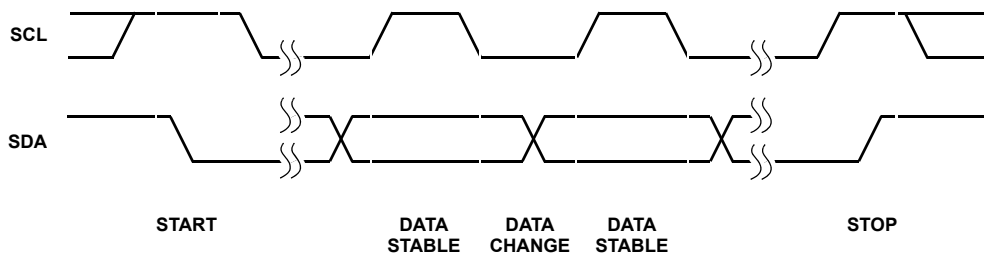


FIGURE 27. VALID DATA CHANGES, START AND STOP CONDITIONS

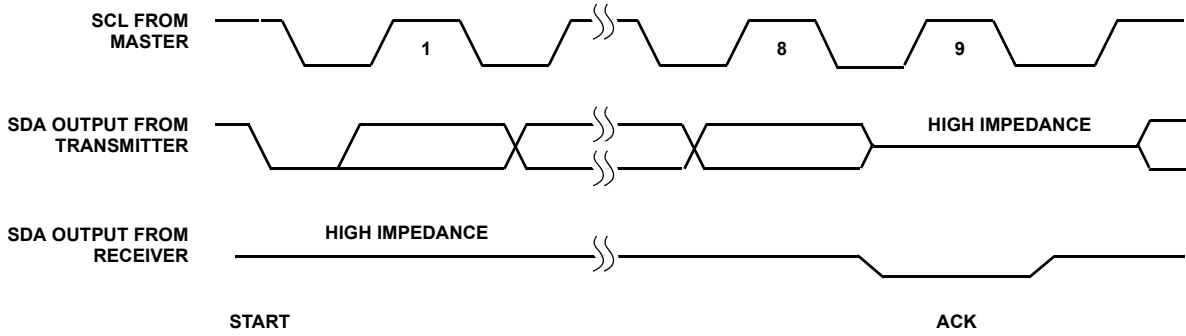


FIGURE 28. ACKNOWLEDGE RESPONSE FROM RECEIVER

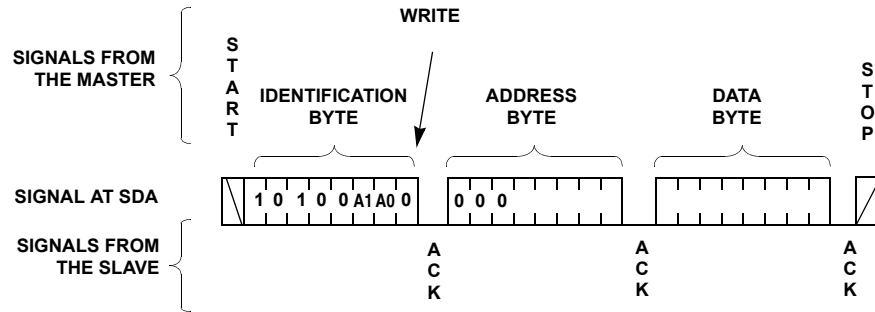


FIGURE 29. BYTE WRITE SEQUENCE

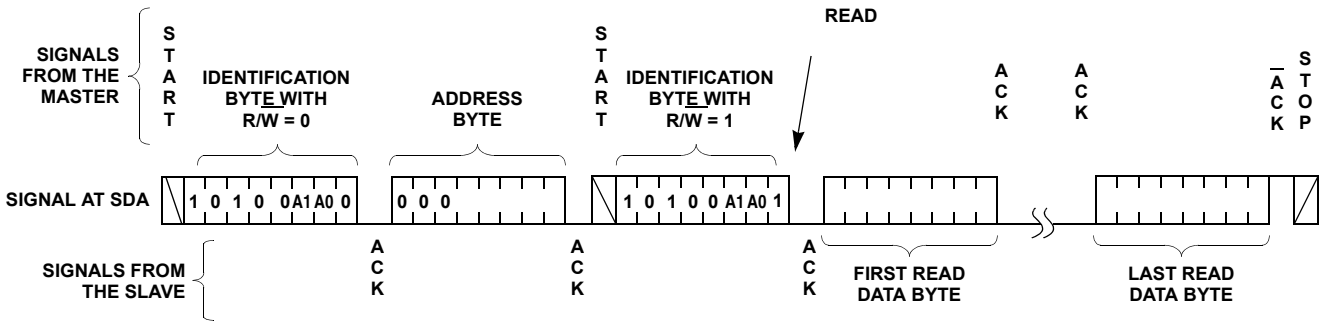


FIGURE 30. READ SEQUENCE



## Write Operation

A Write operation requires a START condition, followed by a valid Identification Byte, a valid Address Byte, a Data Byte, and a STOP condition. After each of the three bytes, the ISL23315 responds with an ACK. The data is transferred from I<sup>2</sup>C block to the corresponding register at the 9th clock of the data byte and device enters its standby state (see Figures 28 and 29).

## Read Operation

A Read operation consists of a three byte instruction followed by one or more Data Bytes (see Figure 30). The master initiates the operation issuing the following sequence: a START, the Identification byte with the R/ $\overline{W}$  bit set to "0", an Address Byte, a second START, and a second Identification byte with the R/ $\overline{W}$  bit set to "1". After each of the three bytes, the ISL23315 responds with an ACK; then the ISL23315 transmits Data Byte. The master terminates the read operation issuing a NACK ( $\overline{ACK}$ ) and a STOP condition following the last bit of the last Data Byte (see Figure 30).

## Applications Information

### V<sub>LOGIC</sub> Requirements

It is recommended to keep V<sub>LOGIC</sub> powered all the time during normal operation. In a case where turning V<sub>LOGIC</sub> OFF is necessary, it is recommended to ground the V<sub>LOGIC</sub> pin of the ISL23315. Grounding the V<sub>LOGIC</sub> pin or both V<sub>LOGIC</sub> and V<sub>CC</sub> does not affect other devices on the same bus. It is good practice to put a 1 $\mu$ F cap in parallel to 0.1 $\mu$ F as close to the V<sub>LOGIC</sub> pin as possible.

### V<sub>CC</sub> Requirements and Placement

It is recommended to put a 1 $\mu$ F capacitor in parallel with 0.1 $\mu$ F decoupling capacitor close to the V<sub>CC</sub> pin.

### Wiper Transition

When stepping up through each tap in voltage divider mode, some tap transition points can result in noticeable voltage transients, or overshoot/undershoot, resulting from the sudden transition from a very low impedance "make" to a much higher impedance "break" within a short period of time (<1 $\mu$ s). There are several code transitions such as 0Fh to 10h, 1Fh to 20h, ..., EFh to FFh, which have higher transient glitch. Note, that all switching transients will settle well within the settling time as stated in the datasheet. A small capacitor can be added externally to reduce the amplitude of these voltage transients. However, that will also reduce the useful bandwidth of the circuit, thus may not be a good solution for some applications. It may be a good idea, in that case, to use fast amplifiers in a signal chain for fast recovery.

## Revision History

The revision history provided is for informational purposes only and is believed to be accurate, but not warranted. Please go to web to make sure you have the latest Rev.

| DATE     | REVISION | CHANGE   |
|----------|----------|--|
| 8/12/15  | FN7778.2 | Updated Ordering Information table on page 3<br>Changed Products section to About Intersil.<br>Updated POD M10.118 from rev 0 to rev 1. Changes since rev0: Updated to new POD template. Added land pattern  |
| 7/29/11  | FN7778.1 | On page 7, "Wiper Response Time" changed text in each option<br>From: $\overline{CS}$ rising edge to wiper new position, from 10% to 90% of final value.<br>To: SCL rising edge of the acknowledge bit after data byte to wiper new position from 10% to 90% of the final value. |
| 07/28/11 |          | Added "Shutdown Function" section and revised "VLOGIC Standby Current" and "VCC Shutdown Current" limits on page 6.<br>On page 7, split "Wiper Response Time" up into 3 separate conditions for each option (W, U, T).   |
| 12/15/10 | FN7778.0 | Initial Release  |

## About Intersil

Intersil Corporation is a leading provider of innovative power management and precision analog solutions. The company's products address some of the largest markets within the industrial and infrastructure, mobile computing and high-end consumer markets.

For the most updated datasheet, application notes, related documentation and related parts, please see the respective product information page found at [www.intersil.com](http://www.intersil.com).

You may report errors or suggestions for improving this datasheet by visiting [www.intersil.com/ask](http://www.intersil.com/ask).

Reliability reports are also available from our website at [www.intersil.com/support](http://www.intersil.com/support)

© Copyright Intersil Americas LLC 2010-2015. All Rights Reserved.  
All trademarks and registered trademarks are the property of their respective owners.

For additional products, see [www.intersil.com/en/products.html](http://www.intersil.com/en/products.html)

Intersil products are manufactured, assembled and tested utilizing ISO9001 quality systems as noted in the quality certifications found at [www.intersil.com/en/support/qualandreliability.html](http://www.intersil.com/en/support/qualandreliability.html)

*Intersil products are sold by description only. Intersil may modify the circuit design and/or specifications of products at any time without notice, provided that such modification does not, in Intersil's sole judgment, affect the form, fit or function of the product. Accordingly, the reader is cautioned to verify that datasheets are current before placing orders. Information furnished by Intersil is believed to be accurate and reliable. However, no responsibility is assumed by Intersil or its subsidiaries for its use; nor for any infringements of patents or other rights of third parties which may result from its use. No license is granted by implication or otherwise under any patent or patent rights of Intersil or its subsidiaries.*

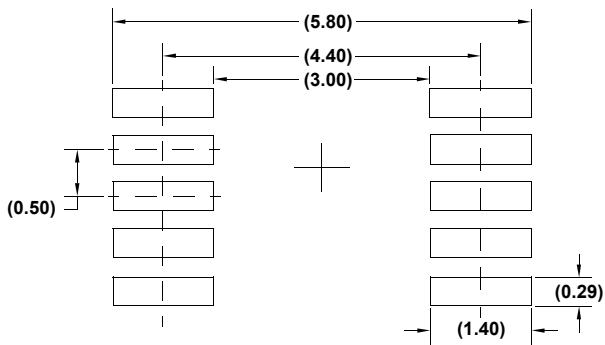
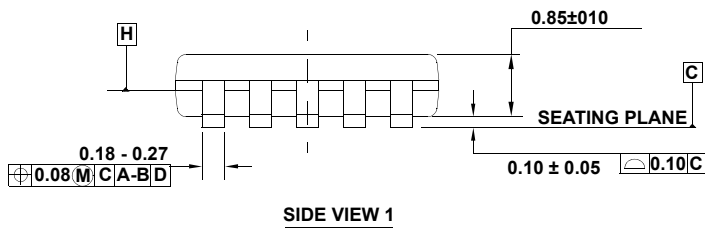
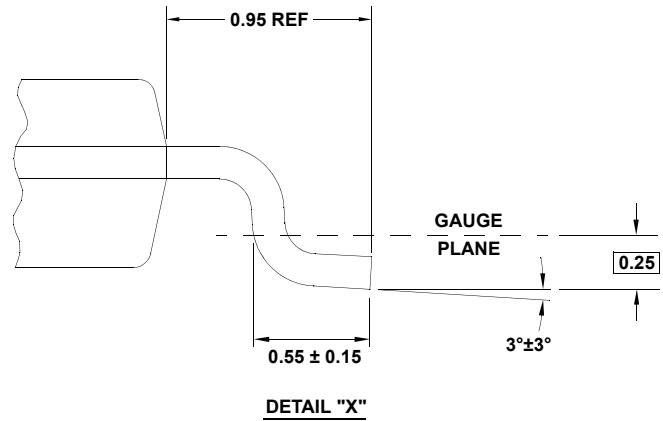
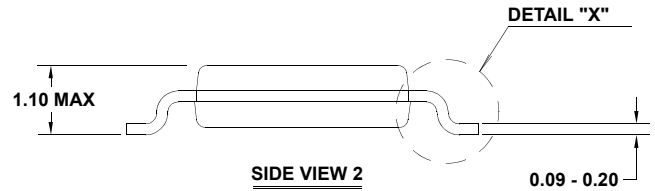
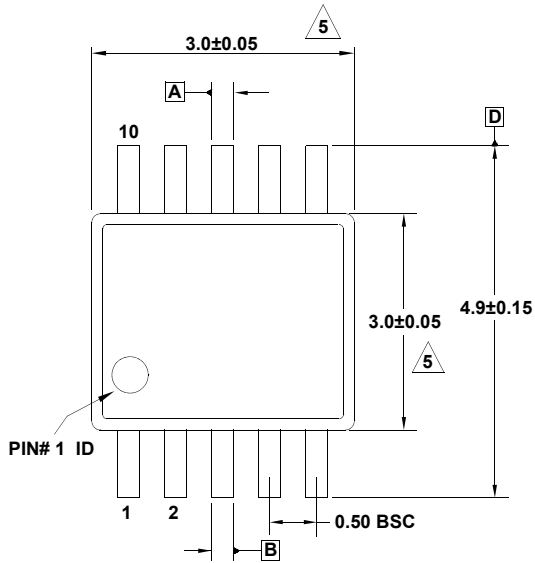
For information regarding Intersil Corporation and its products, see [www.intersil.com](http://www.intersil.com)

# Package Outline Drawing

## M10.118

10 LEAD MINI SMALL OUTLINE PLASTIC PACKAGE

Rev 1, 4/12



NOTES:

1. Dimensions are in millimeters.
2. Dimensioning and tolerancing conform to JEDEC MO-187-BA and AMSEY14.5m-1994.
3. Plastic or metal protrusions of 0.15mm max per side are not included.
4. Plastic interlead protrusions of 0.15mm max per side are not included.

5. Dimensions are measured at Datum Plane "H".

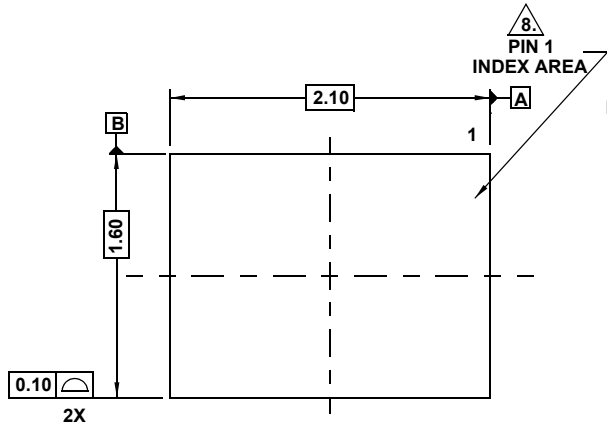
6. Dimensions in ( ) are for reference only.

# Package Outline Drawing

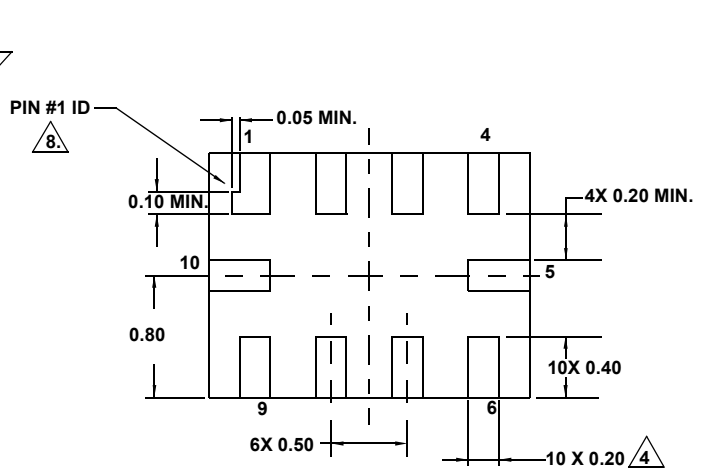
## L10.2.1x1.6A

10 LEAD ULTRA THIN QUAD FLAT NO-LEAD PLASTIC PACKAGE

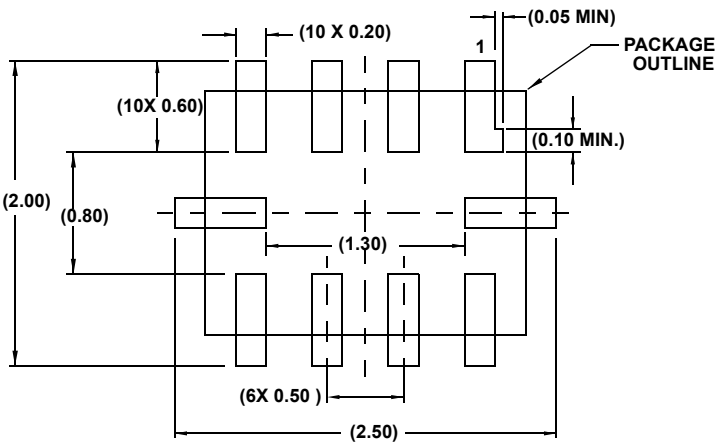
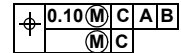
Rev 5, 3/10



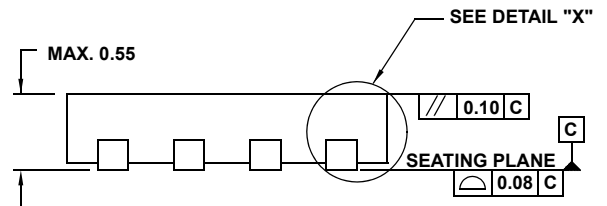
TOP VIEW



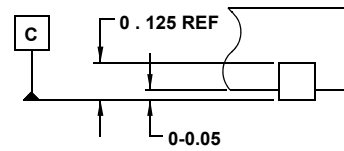
BOTTOM VIEW



TYPICAL RECOMMENDED LAND PATTERN



SIDE VIEW



DETAIL "X"

NOTES:

1. Dimensioning and tolerancing conform to ASME Y14.5M-1994.
2. All Dimensions are in millimeters. Angles are in degrees. Dimensions in ( ) for Reference Only.
3. Unless otherwise specified, tolerance : Decimal  $\pm 0.05$
4. Lead width dimension applies to the metallized terminal and is measured between 0.15mm and 0.30mm from the terminal tip.
5. Maximum package warpage is 0.05mm.
6. Maximum allowable burrs is 0.076mm in all directions.
7. Same as JEDEC MO-255UABD except:  
No lead-pull-back, MIN. Package thickness = 0.45 not 0.50mm  
Lead Length dim. = 0.45mm max. not 0.42mm.
8. The configuration of the pin #1 identifier is optional, but must be located within the zone indicated. The pin #1 identifier may be either a mold or mark feature.