

X9C102, X9C103, X9C104, X9C503

Digitally Controlled Potentiometer (XDCP™)

FN8222  
Rev 4.00  
Jan 11, 2019

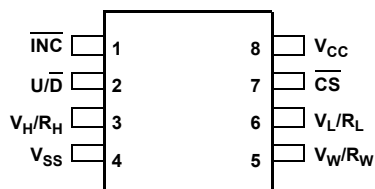
The [X9C102](#), [X9C103](#), [X9C104](#), [X9C503](#) are digitally controlled (XDCP) potentiometers. The device consists of a resistor array, wiper switches, a control section, and nonvolatile memory. The wiper position is controlled by a three-wire interface.

The potentiometer is implemented by a resistor array composed of 99 resistive elements and a wiper switching network. Between each element and at either end are tap points accessible to the wiper terminal. The position of the wiper element is controlled by the CS, U/D, and INC inputs. The position of the wiper can be stored in non-volatile memory and then be recalled upon a subsequent power-up operation.

The device can be used as a three-terminal potentiometer or as a two-terminal variable resistor in a wide variety of applications ranging from control to signal processing to parameter adjustment.

**Pinout**

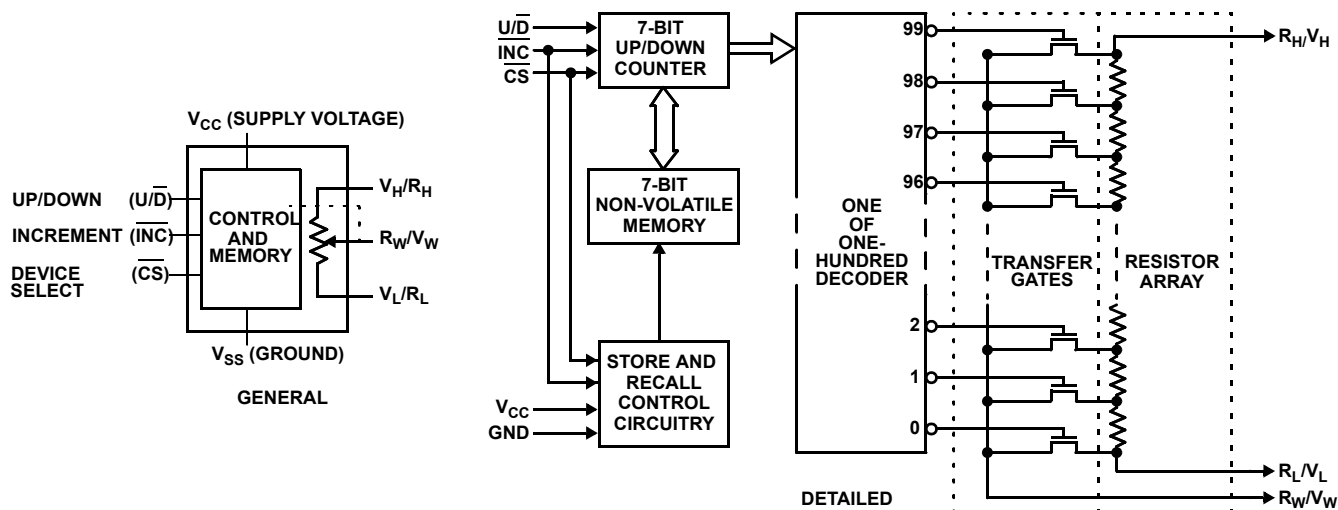
X9C102, X9C103, X9C104, X9C503  
(8 LD SOIC, 8 LD PDIP)  
TOP VIEW



**Features**

- Solid-State Potentiometer
- Three-Wire Serial Interface
- 100 Wiper Tap Points
  - Wiper Position Stored in Non-volatile Memory and Recalled on Power-up
- 99 Resistive Elements
  - Temperature Compensated
  - End-to-End Resistance, ±20%
  - Terminal Voltages, ±5V
- Low Power CMOS
  - V<sub>CC</sub> = 5V
  - Active Current, 3mA max.
  - Standby Current, 750µA max.
- High Reliability
  - Endurance, 100,000 Data Changes per Bit
  - Register Data Retention, 100 years
- X9C102 = 1kΩ
- X9C103 = 10kΩ
- X9C503 = 50kΩ
- X9C104 = 100kΩ
- Packages
  - 8 Ld SOIC
  - 8 Ld PDIP
- Pb-Free Available (RoHS Compliant)

**Block Diagram**



## Ordering Information

PART NUMBER	PART MARKING	R <sub>TOTAL</sub> (kΩ)	TEMP RANGE (°C)	PACKAGE (RoHS Compliant)	PACKAGE DWG. #
X9C102PZ (Notes <a href="#">2</a> , <a href="#">3</a> )	X9C102P Z	1	0 to +70	8 Ld PDIP	MDP0031
X9C102PIZ (Notes <a href="#">2</a> , <a href="#">3</a> )	X9C102P ZI		-40 to +85	8 Ld PDIP	MDP0031
X9C102SZ (Notes <a href="#">1</a> , <a href="#">2</a> )	X9C102S Z		0 to +70	8 Ld SOIC	M8.15E
X9C102SIZ (Notes <a href="#">1</a> , <a href="#">2</a> )	X9C102S ZI		-40 to +85	8 Ld SOIC	M8.15E
X9C103PZ (Notes <a href="#">2</a> , <a href="#">3</a> )	X9C103P Z	10	0 to +70	8 Ld PDIP	MDP0031
X9C103PIZ (Notes <a href="#">2</a> , <a href="#">3</a> )	X9C103P ZI		-40 to +85	8 Ld PDIP	MDP0031
X9C103SZ (Notes <a href="#">1</a> , <a href="#">2</a> )	X9C103S Z		0 to +70	8 Ld SOIC	M8.15
X9C103SIZ (Notes <a href="#">1</a> , <a href="#">2</a> )	X9C103S ZI		-40 to +85	8 Ld SOIC	M8.15
X9C503PZ (Notes <a href="#">2</a> , <a href="#">3</a> )	X9C503P Z	50	0 to +70	8 Ld PDIP	MDP0031
X9C503PIZ (Notes <a href="#">2</a> , <a href="#">3</a> )	X9C503P ZI		-40 to +85	8 Ld PDIP	MDP0031
X9C503SZ (Notes <a href="#">1</a> , <a href="#">2</a> )	X9C503S Z		0 to +70	8 Ld SOIC	M8.15E
X9C503SIZ (Notes <a href="#">1</a> , <a href="#">2</a> )	X9C503S ZI		-40 to +85	8 Ld SOIC	M8.15E
X9C104PIZ (Notes <a href="#">2</a> , <a href="#">3</a> )	X9C104P ZI	100	-40 to +85	8 Ld PDIP	MDP0031
X9C104SZ (Notes <a href="#">1</a> , <a href="#">2</a> )	X9C104S Z		0 to +70	8 Ld SOIC	M8.15E
X9C104SIZ (Notes <a href="#">1</a> , <a href="#">2</a> )	X9C104S ZI		-40 to +85	8 Ld SOIC	M8.15E

### NOTES:

1. Add "T1" suffix for tape and reel. See [TB347](#) for details about reel specifications.
2. These Pb-free plastic packaged products employ special Pb-free material sets, molding compounds/die attach materials, and 100% matte tin plate plus anneal (e3 termination finish, which is RoHS compliant and compatible with both SnPb and Pb-free soldering operations). Pb-free products are MSL classified at Pb-free peak reflow temperatures that meet or exceed the Pb-free requirements of IPC/JEDEC J STD-020.
3. Pb-free PDIPs can be used for through-hole wave solder processing only. They are not intended for use in Reflow solder processing applications.

## Pin Descriptions

PIN NUMBER	PIN NAME	DESCRIPTION
1	$\overline{\text{INC}}$	<b>INCREMENT</b> The $\overline{\text{INC}}$ input is negative-edge triggered. Toggling $\overline{\text{INC}}$ will move the wiper and either increment or decrement the counter in the direction indicated by the logic level on the $\text{U}/\overline{\text{D}}$ input.
2	$\text{U}/\overline{\text{D}}$	<b>UP/DOWN</b> The $\text{U}/\overline{\text{D}}$ input controls the direction of the wiper movement and whether the counter is incremented or decremented.
3	$\text{V}_\text{H}/\text{R}_\text{H}$	<b><math>\text{V}_\text{H}/\text{R}_\text{H}</math></b> The high ( $\text{V}_\text{H}/\text{R}_\text{H}$ ) terminals of the X9C102, X9C103, X9C104, X9C503 are equivalent to the fixed terminals of a mechanical potentiometer. The minimum voltage is -5V and the maximum is +5V. The terminology of $\text{V}_\text{H}/\text{R}_\text{H}$ and $\text{V}_\text{L}/\text{R}_\text{L}$ references the relative position of the terminal in relation to wiper movement direction selected by the $\text{U}/\overline{\text{D}}$ input and not the voltage potential on the terminal.
4	$\text{V}_\text{SS}$	<b><math>\text{V}_\text{SS}</math></b>
5	$\text{V}_\text{W}/\text{R}_\text{W}$	<b><math>\text{V}_\text{W}/\text{R}_\text{W}</math></b> $\text{V}_\text{W}/\text{R}_\text{W}$ is the wiper terminal and is equivalent to the movable terminal of a mechanical potentiometer. The position of the wiper within the array is determined by the control inputs. The wiper terminal series resistance is typically 40 $\Omega$ .
6	$\text{R}_\text{L}/\text{V}_\text{L}$	<b><math>\text{R}_\text{L}/\text{V}_\text{L}</math></b> The low ( $\text{V}_\text{L}/\text{R}_\text{L}$ ) terminals of the X9C102, X9C103, X9C104, X9C503 are equivalent to the fixed terminals of a mechanical potentiometer. The minimum voltage is -5V and the maximum is +5V. The terminology of $\text{V}_\text{H}/\text{R}_\text{H}$ and $\text{V}_\text{L}/\text{R}_\text{L}$ references the relative position of the terminal in relation to wiper movement direction selected by the $\text{U}/\overline{\text{D}}$ input and not the voltage potential on the terminal.
7	$\overline{\text{CS}}$	<b><math>\overline{\text{CS}}</math></b> The device is selected when the $\overline{\text{CS}}$ input is LOW. The current counter value is stored in non-volatile memory when $\overline{\text{CS}}$ is returned HIGH while the $\overline{\text{INC}}$ input is also HIGH. After the store operation is complete the X9C102, X9C103, X9C104, X9C503 device will be placed in the low power standby mode until the device is selected once again.
8	$\text{V}_\text{CC}$	<b><math>\text{V}_\text{CC}</math></b>

**Absolute Maximum Ratings**

Voltage on $\overline{CS}$ , $\overline{INC}$ , $U/\overline{D}$ and $V_{CC}$ with Respect to $V_{SS}$	-1V to +7V
Voltage on $V_H/R_H$ and $V_L/R_L$ Referenced to $V_{SS}$	-8V to +8V
$\Delta V =  V_H/R_H - V_L/R_L $	
X9C102	.4V
X9C103, X9C104, and X9C503	.10V
$I_W$ (10s)	8.8mA
Power Rating	
X9C102	16mW
X9C103 X0C104, and X9C503	10mW

**Thermal Information**

Temperature Under Bias	-65°C to +135°C
Storage Temperature	-65°C to +150°C
Pb-Free Reflow Profile	<a href="#">TB493</a>
*Pb-free PDIPs can be used for through-hole wave solder processing only. They are not intended for use in Reflow solder processing applications.	

**Recommended Operating Conditions**

Commercial Temperature Range	0°C to +70°C
Industrial Temperature Range	-40°C to +85°C
Supply Voltage Range ( $V_{CC}$ )	5V $\pm$ 10%

**CAUTION:** Do not operate at or near the maximum ratings listed for extended periods of time. Exposure to such conditions may adversely impact product reliability and result in failures not covered by warranty.

**Electrical Specifications** Over recommended operating conditions unless otherwise stated.

SYMBOL	PARAMETER	TEST CONDITIONS	LIMITS			UNIT	
			MIN	TYP (Note 7)	MAX		
<b>POTENTIOMETER CHARACTERISTICS</b>							
$R_{TOTAL}$	End-to-End Resistance Variation		-20		+20	%	
$V_{VH/RH}$	$V_H$ Terminal Voltage		-5		+5	V	
$V_{VL/RL}$	$V_L$ Terminal Voltage		-5		+5	V	
$I_W$	Wiper Current		-4.4		4.4	mA	
$R_W$	Wiper Resistance	Wiper Current = $\pm 1$ mA		40	100	$\Omega$	
	Resistor Noise (Note 8)	Ref 1kHz		-120		dBV	
	Charge Pump Noise (Note 8)	@ 850kHz		20		mV <sub>RMS</sub>	
	Resolution			1		%	
	Absolute Linearity (Note 4)	$V_{W(n)(ACTUAL)} - V_{W(n)(EXPECTED)}$		-1		+1	MI (Note 6)
	Relative Linearity (Note 5)	$V_{W(n+1)(ACTUAL)} - [V_{W(n)} + MI]$		-0.2		+0.2	MI (Note 6)
	$R_{TOTAL}$ Temperature Coefficient	X9C103, X9C503, X9C104			$\pm 300$ (Note 8)		ppm/°C
	$R_{TOTAL}$ Temperature Coefficient	X9C102			$\pm 600$ (Note 8)		ppm/°C
	Ratiometric Temperature Coefficient			$\pm 20$		ppm/°C	
$C_H/C_L/C_W$ (Note 8)	Potentiometer Capacitances	See "Circuit #3 SPICE Macro Model" on page 5.		10/10/25		pF	
<b>DC OPERATING CHARACTERISTICS</b>							
$I_{CC}$	$V_{CC}$ Active Current	$\overline{CS} = V_{IL}$ , $U/\overline{D} = V_{IL}$ or $V_{IH}$ and $\overline{INC} = 0.4V$ to $2.4V$ at Max $t_{CYC}$		1	3	mA	
$I_{SB}$	Standby Supply Current	$\overline{CS} = V_{CC} - 0.3V$ , $U/\overline{D}$ and $\overline{INC} = V_{SS}$ or $V_{CC} - 0.3V$		200	750	$\mu A$	
$I_{LI}$	$\overline{CS}$ , $\overline{INC}$ , $U/\overline{D}$ Input Leakage Current	$V_{IN} = V_{SS}$ to $V_{CC}$			$\pm 10$	$\mu A$	
$V_{IH}$	$\overline{CS}$ , $\overline{INC}$ , $U/\overline{D}$ input HIGH Voltage		2			V	
$V_{IL}$	$\overline{CS}$ , $\overline{INC}$ , $U/\overline{D}$ input LOW Voltage				0.8	V	
$C_{IN}$	$\overline{CS}$ , $\overline{INC}$ , $U/\overline{D}$ Input Capacitance (Note 8)	$V_{CC} = 5V$ , $V_{IN} = V_{SS}$ , $T_A = +25^\circ C$ , $f = 1MHz$		10		pF	

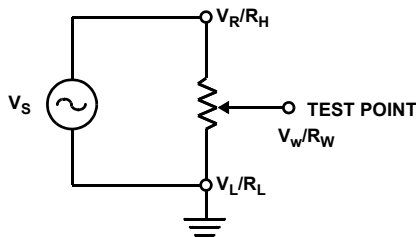
**Electrical Specifications** Over recommended operating conditions unless otherwise stated. (Continued)

SYMBOL	PARAMETER	TEST CONDITIONS	LIMITS			UNIT
			MIN	TYP (Note 7)	MAX	
<b>AC OPERATION CHARACTERISTICS</b>						
$t_{CI}$	$\overline{CS}$ to $\overline{INC}$ Setup		100			ns
$t_{ID}$	$\overline{INC}$ HIGH to $U/\overline{D}$ Change		100			ns
$t_{DI}$	$U/\overline{D}$ to $\overline{INC}$ Setup		2.9			$\mu$ s
$t_{L}$	$\overline{INC}$ LOW Period		1			$\mu$ s
$t_{H}$	$\overline{INC}$ HIGH Period		1			$\mu$ s
$t_{C}$	$\overline{INC}$ Inactive to $\overline{CS}$ Inactive		1			$\mu$ s
$t_{CPH}$	$\overline{CS}$ Deselect Time (STORE)		20			ms
$t_{CPH}$	$\overline{CS}$ Deselect Time (NO STORE)		100			ns
$t_{W}^{(5)}$	$\overline{INC}$ to $V_{W/RW}$ Change			100		$\mu$ s
$t_{CYC}$	$\overline{INC}$ Cycle Time		2			$\mu$ s
$t_{CYC}$	$\overline{INC}$ Input Rise and Fall Time				500	$\mu$ s
$t_R, t_F$	Power-up to Wiper Stable (Note 8)			500		$\mu$ s
$t_{PU}$	$V_{CC}$ Power-up Rate (Note 8)		0.2		50	V/ms

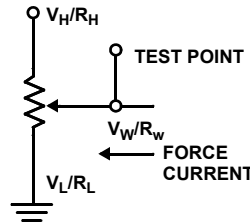
NOTES:

- Absolute linearity is utilized to determine actual wiper voltage vs expected voltage =  $[V_{W(n)}(\text{actual}) - V_{W(n)}(\text{expected})] = \pm 1 \text{ MI}$  Maximum.
- Relative linearity is a measure of the error in step size between taps =  $V_{W(n+1)} - [V_{W(n)} + \text{MI}] = +0.2 \text{ MI}$ .
- 1 MI = Minimum Increment =  $R_{TOT}/99$ .
- Typical values are for  $T_A = +25^\circ\text{C}$  and nominal supply voltage.
- This parameter is not 100% tested.

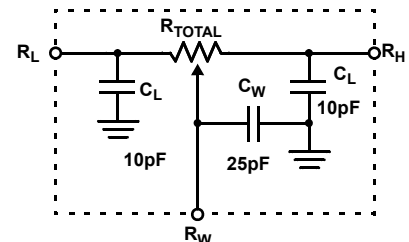
**Test Circuit #1**



**Test Circuit #2**



**Circuit #3 SPICE Macro Model**



**Endurance and Data Retention**

PARAMETER	MIN	UNIT
Medium Endurance	100,000	Data changes per bit per register
Data Retention	100	years

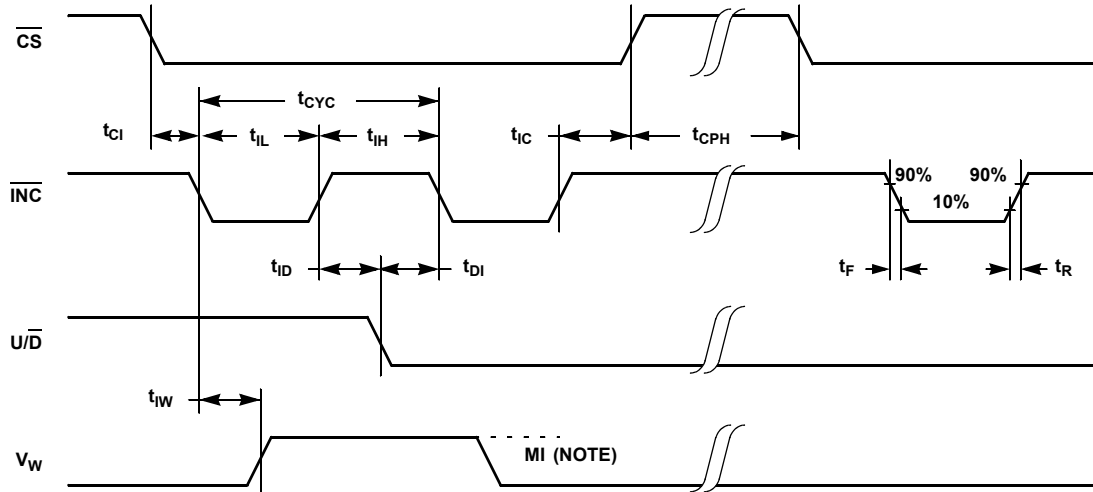
**Power-up and Down Requirements**

At all times, voltages on the potentiometer pins must be less than  $\pm V_{CC}$ . The recall of the wiper position from non-volatile memory is not in effect until the  $V_{CC}$  supply reaches its final value. The  $V_{CC}$  ramp rate specification is always in effect.

**AC Conditions of Test**

Input Pulse Levels	0V to 3V
Input Rise and Fall Times	10ns
Input Reference Levels	1.5V

## AC Timing Diagram



NOTE: MI REFERS TO THE MINIMUM INCREMENTAL CHANGE IN THE  $V_W$  OUTPUT DUE TO A CHANGE IN THE WIPER POSITION.

## Pin Descriptions

### $R_H/V_H$ and $R_L/V_L$

The high ( $V_H/R_H$ ) and low ( $V_L/R_L$ ) terminals of the ISLX9C102, X9C103, X9C104, X9C503 are equivalent to the fixed terminals of a mechanical potentiometer. The minimum voltage is -5V and the maximum is +5V. The terminology of  $V_H/R_H$  and  $V_L/R_L$  references the relative position of the terminal in relation to wiper movement direction selected by the  $U/\bar{D}$  input and not the voltage potential on the terminal.

### $R_W/V_W$

$V_W/R_W$  is the wiper terminal, and is equivalent to the movable terminal of a mechanical potentiometer. The position of the wiper within the array is determined by the control inputs. The wiper terminal series resistance is typically 40Ω.

### Up/Down ( $U/\bar{D}$ )

The  $U/\bar{D}$  input controls the direction of the wiper movement and whether the counter is incremented or decremented.

### Increment ( $\bar{INC}$ )

The  $\bar{INC}$  input is negative-edge triggered. Toggling  $\bar{INC}$  will move the wiper and either increment or decrement the counter in the direction indicated by the logic level on the  $U/\bar{D}$  input.

### Chip Select ( $\bar{CS}$ )

The device is selected when the  $\bar{CS}$  input is LOW. The current counter value is stored in non-volatile memory when  $\bar{CS}$  is returned HIGH while the  $\bar{INC}$  input is also HIGH. After the store operation is complete the ISLX9C102, X9C103, X9C104, X9C503 device will be placed in the low power standby mode until the device is selected once again.

## Principles of Operation

There are three sections of the X9C102, X9C103, ISL9C104 and ISL9C503: the input control, counter and decode section; the non-volatile memory; and the resistor array. The input control section operates just like an up/down counter. The output of this counter is decoded to turn on a single electronic switch connecting a point on the resistor array to the wiper output. Under the proper conditions, the contents of the counter can be stored in non-volatile memory and retained for future use. The resistor array is comprised of 99 individual resistors connected in series. At either end of the array and between each resistor is an electronic switch that transfers the potential at that point to the wiper.

The wiper, when at either fixed terminal, acts like its mechanical equivalent and does not move beyond the last position. That is, the counter does not wrap around when clocked to either extreme.

The electronic switches on the device operate in a “make-before-break” mode when the wiper changes tap positions. If the wiper is moved several positions, multiple taps are connected to the wiper for  $t_{IW}$  ( $\bar{INC}$  to  $V_W/R_W$  change). The  $R_{TOTAL}$  value for the device can temporarily be reduced by a significant amount if the wiper is moved several positions.

When the device is powered-down, the last wiper position stored will be maintained in the non-volatile memory. When power is restored, the contents of the memory are recalled and the wiper is reset to the value last stored.

The internal charge pump allows a wide range of voltages (from -5V to 5V) applied to XDCP terminals yet given a convenience of single power supply. The typical charge pump noise of 20mV at 850kHz should be taken in consideration when designing an application circuit.

### Instructions and Programming

The  $\overline{\text{INC}}$ ,  $\overline{\text{U/D}}$  and  $\overline{\text{CS}}$  inputs control the movement of the wiper along the resistor array. With  $\overline{\text{CS}}$  set LOW, the device is selected and enabled to respond to the  $\overline{\text{U/D}}$  and  $\overline{\text{INC}}$  inputs. HIGH to LOW transitions on  $\overline{\text{INC}}$  will increment or decrement (depending on the state of the  $\overline{\text{U/D}}$  input) a 7-bit counter. The output of this counter is decoded to select one of one-hundred wiper positions along the resistive array.

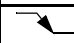
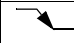

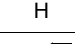


The value of the counter is stored in non-volatile memory whenever  $\overline{\text{CS}}$  transitions HIGH while the  $\overline{\text{INC}}$  input is also HIGH.

The system may select the X9Cxxx, move the wiper and deselect the device without having to store the latest wiper position in non-volatile memory. After the wiper movement is performed as previously described and once the new position is reached, the system must keep  $\overline{\text{INC}}$  LOW while taking  $\overline{\text{CS}}$  HIGH. The new wiper position will be maintained until changed by the system or until a power-down/up cycle recalled the previously stored data.




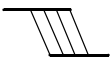
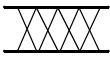
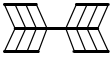
This procedure allows the system to always power-up to a pre-set value stored in non-volatile memory; then during system operation, minor adjustments could be made. The adjustments might be based on user preference, i.e.: system parameter changes due to temperature drift, etc.

The state of  $\overline{\text{U/D}}$  may be changed while  $\overline{\text{CS}}$  remains LOW. This allows the host system to enable the device and then move the wiper up and down until the proper trim is attained.

### Mode Selection

$\overline{\text{CS}}$	$\overline{\text{INC}}$	$\overline{\text{U/D}}$	MODE
L		H	Wiper Up
L		L	Wiper Down
	H	X	Store Wiper Position
H	X	X	Standby Current
	L	X	No Store, Return to Standby
	L	H	Wiper Up (not recommended)
	L	L	Wiper Down (not recommended)

### Symbol Table

WAVEFORM	INPUTS	OUTPUTS
	Must be steady	Will be steady
		
	May change from Low to High	Will change from Low to High
	May change from High to Low	Will change from High to Low
	Don't Care: Changes Allowed	Changing: State Not Known
	N/A	Center Line is High Impedance

### Performance Characteristics

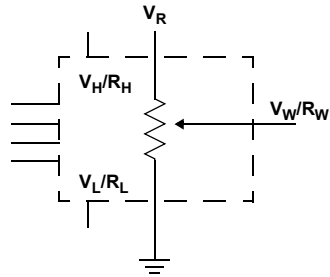
Contact the factory for more information.

### Applications Information

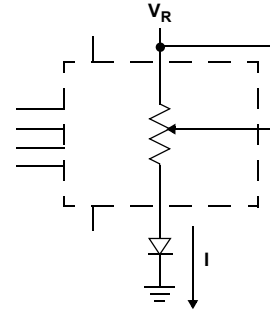
Electronic digitally controlled (XCDP) potentiometers provide three powerful application advantages:

1. The variability and reliability of a solid-state potentiometer.
2. The flexibility of computer-based digital controls.
3. The retentivity of non-volatile memory used for the storage of multiple potentiometer settings or data.

**Basic Configurations of Electronic Potentiometers**

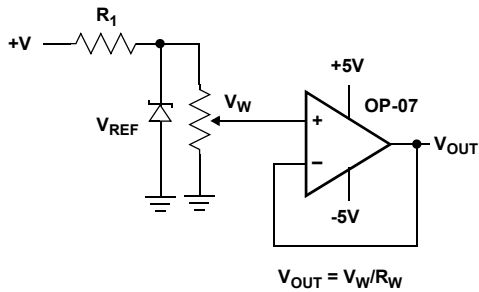


**THREE TERMINAL POTENTIOMETER;  
VARIABLE VOLTAGE DIVIDER**

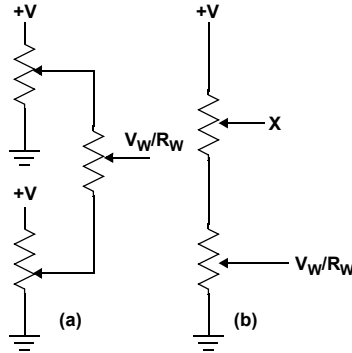


**TWO TERMINAL VARIABLE RESISTOR;  
VARIABLE CURRENT**

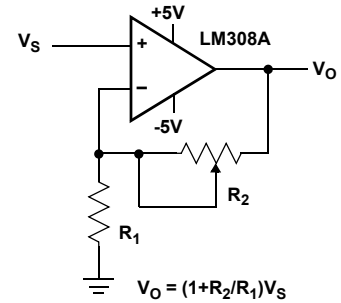
**Basic Circuits**



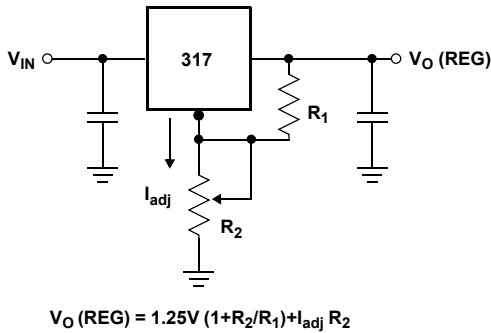
**BUFFERED REFERENCE VOLTAGE**



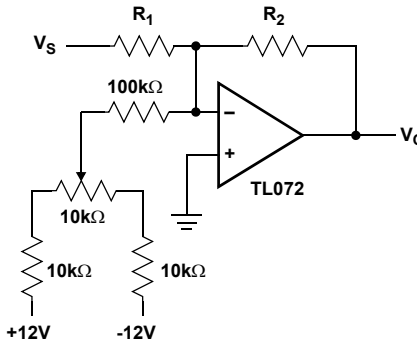
**CASCADING TECHNIQUES**



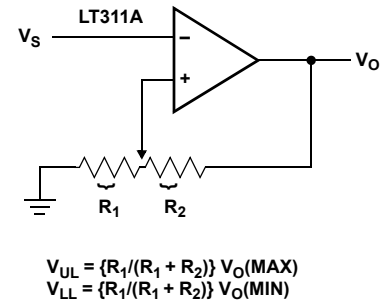
**NONINVERTING AMPLIFIER**



**VOLTAGE REGULATOR**



**OFFSET VOLTAGE ADJUSTMENT**



(FOR ADDITIONAL CIRCUITS SEE AN1145)

**COMPARATOR WITH HYSTERESIS**

**Revision History**

Rev.	Date	Description
4.00	Jan 11, 2019	Updated Ordering Information table to remove Obsolete and Retired parts. Added Revision History. Updated PODs for X9C102, X9C104, and X9C503 SOICs from: MDP0027 to: M8.15E and X9C103 SOIC from: MDP0027 to: M8.15, to include the Land Pattern design and convert dimensions from table to graphics. Updated Intersil disclaimer to Renesas disclaimer.



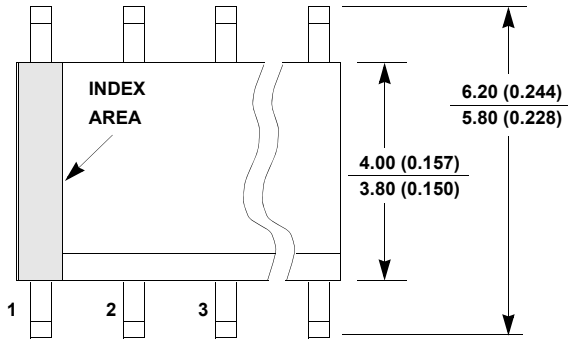
**Package Outline Drawings**

For the most recent package outline drawing, see [M8.15](#).

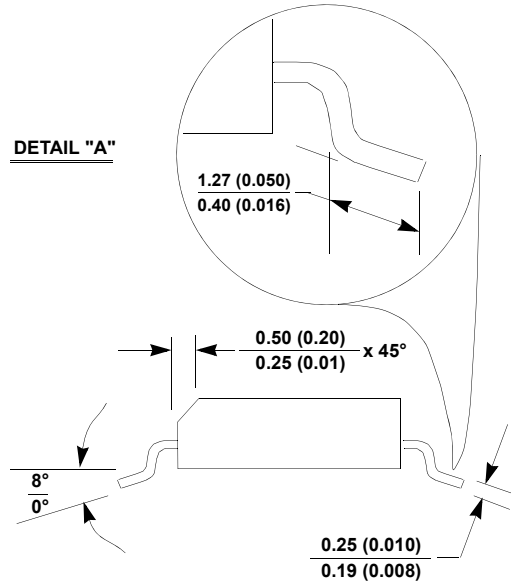
**M8.15**

**8 LEAD NARROW BODY SMALL OUTLINE PLASTIC PACKAGE**

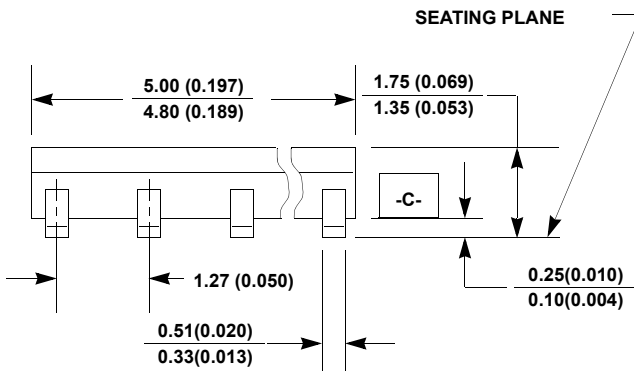
Rev 4, 1/12



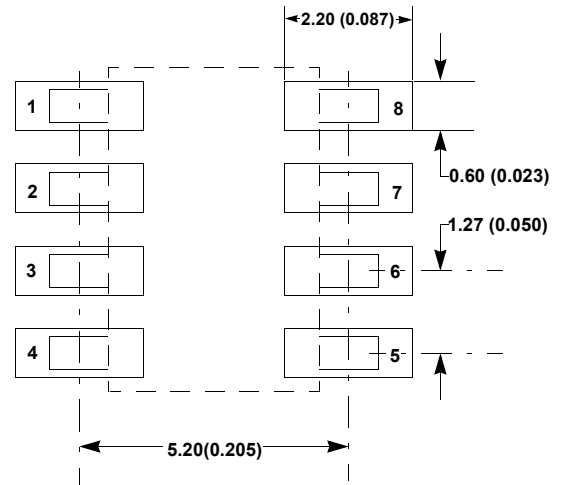
**TOP VIEW**



**SIDE VIEW "B"**



**SIDE VIEW "A"**



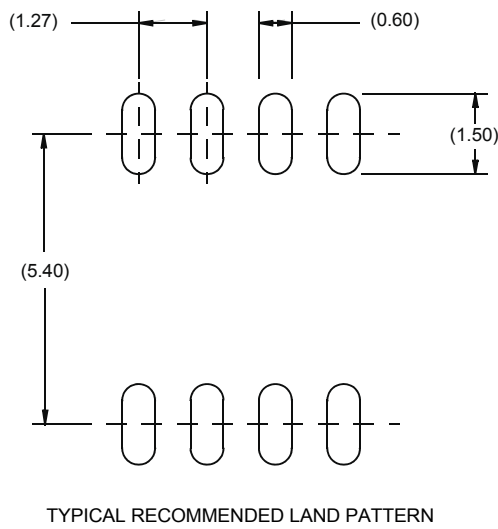
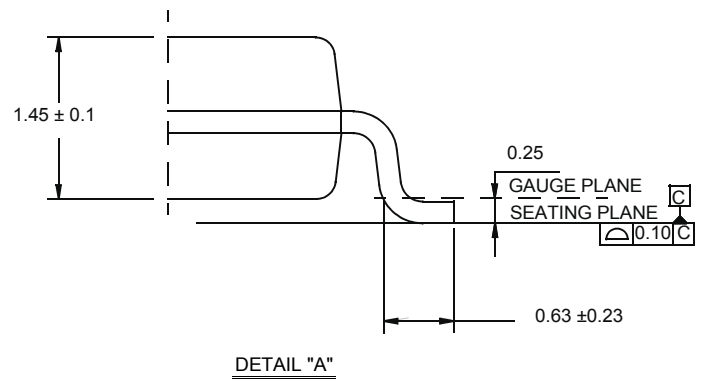
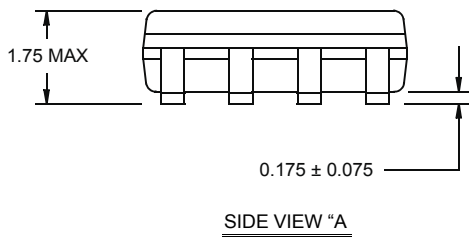
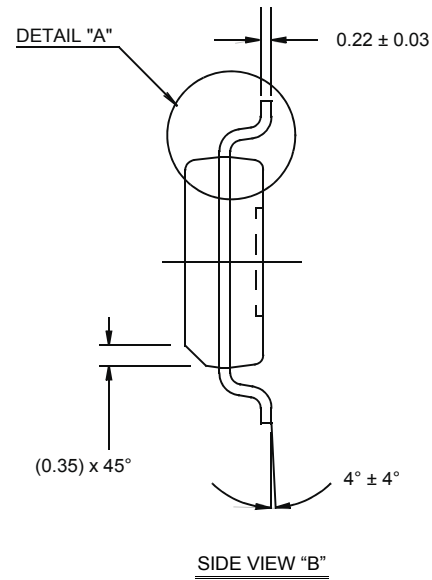
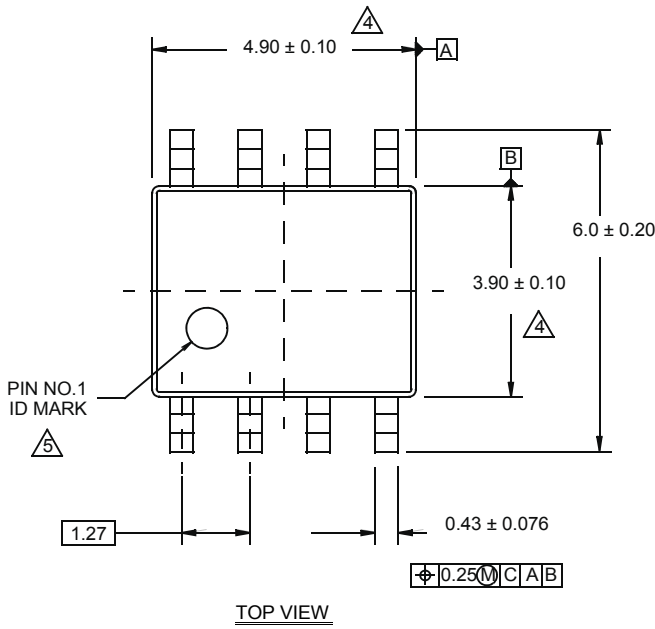
**TYPICAL RECOMMENDED LAND PATTERN**

**NOTES:**

9. Dimensioning and tolerancing per ANSI Y14.5M-1994.
10. Package length does not include mold flash, protrusions or gate burrs. Mold flash, protrusion and gate burrs shall not exceed 0.15mm (0.006 inch) per side.
11. Package width does not include interlead flash or protrusions. Interlead flash and protrusions shall not exceed 0.25mm (0.010 inch) per side.
12. The chamfer on the body is optional. If it is not present, a visual index feature must be located within the crosshatched area.
13. Terminal numbers are shown for reference only.
14. The lead width as measured 0.36mm (0.014 inch) or greater above the seating plane, shall not exceed a maximum value of 0.61mm (0.024 inch).
15. Controlling dimension: MILLIMETER. Converted inch dimensions are not necessarily exact.
16. This outline conforms to JEDEC publication MS-012-AA ISSUE C.

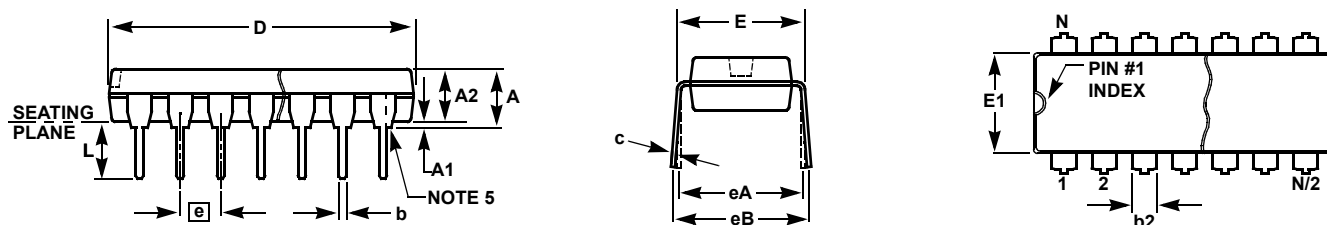
**M8.15E**  
**8 LEAD NARROW BODY SMALL OUTLINE PLASTIC PACKAGE**  
 Rev 0, 08/09

For the most recent package outline drawing, see [M8.15E](#).



**NOTES:**

1. Dimensions are in millimeters.  
Dimensions in ( ) for Reference Only.
2. Dimensioning and tolerancing conform to AMSE Y14.5m-1994.
3. Unless otherwise specified, tolerance : Decimal ± 0.05
4. Dimension does not include interlead flash or protrusions.  
Interlead flash or protrusions shall not exceed 0.25mm per side.
5. The pin #1 identifier may be either a mold or mark feature.
6. Reference to JEDEC MS-012.

**Plastic Dual-In-Line Packages (PDIP)**For the most recent package outline drawing, see [MDP0031](#).**MDP0031****PLASTIC DUAL-IN-LINE PACKAGE**

SYMBOL	INCHES					TOLERANCE	NOTES
	PDIP8	PDIP14	PDIP16	PDIP18	PDIP20		
A	0.210	0.210	0.210	0.210	0.210	MAX	
A1	0.015	0.015	0.015	0.015	0.015	MIN	
A2	0.130	0.130	0.130	0.130	0.130	±0.005	
b	0.018	0.018	0.018	0.018	0.018	±0.002	
b2	0.060	0.060	0.060	0.060	0.060	+0.010/-0.015	
c	0.010	0.010	0.010	0.010	0.010	+0.004/-0.002	
D	0.375	0.750	0.750	0.890	1.020	±0.010	1
E	0.310	0.310	0.310	0.310	0.310	+0.015/-0.010	
E1	0.250	0.250	0.250	0.250	0.250	±0.005	2
e	0.100	0.100	0.100	0.100	0.100	Basic	
eA	0.300	0.300	0.300	0.300	0.300	Basic	
eB	0.345	0.345	0.345	0.345	0.345	±0.025	
L	0.125	0.125	0.125	0.125	0.125	±0.010	
N	8	14	16	18	20	Reference	

Rev. C 2/07

## NOTES:

17. Plastic or metal protrusions of 0.010" maximum per side are not included.
18. Plastic interlead protrusions of 0.010" maximum per side are not included.
19. Dimensions E and eA are measured with the leads constrained perpendicular to the seating plane.
20. Dimension eB is measured with the lead tips unconstrained.
21. 8 and 16 lead packages have half end-leads as shown.

## Notice

1. Descriptions of circuits, software and other related information in this document are provided only to illustrate the operation of semiconductor products and application examples. You are fully responsible for the incorporation or any other use of the circuits, software, and information in the design of your product or system. Renesas Electronics disclaims any and all liability for any losses and damages incurred by you or third parties arising from the use of these circuits, software, or information.
  2. Renesas Electronics hereby expressly disclaims any warranties against and liability for infringement or any other claims involving patents, copyrights, or other intellectual property rights of third parties, by or arising from the use of Renesas Electronics products or technical information described in this document, including but not limited to, the product data, drawings, charts, programs, algorithms, and application examples.
  3. No license, express, implied or otherwise, is granted hereby under any patents, copyrights or other intellectual property rights of Renesas Electronics or others.
  4. You shall not alter, modify, copy, or reverse engineer any Renesas Electronics product, whether in whole or in part. Renesas Electronics disclaims any and all liability for any losses or damages incurred by you or third parties arising from such alteration, modification, copying or reverse engineering.
  5. Renesas Electronics products are classified according to the following two quality grades: "Standard" and "High Quality". The intended applications for each Renesas Electronics product depends on the product's quality grade, as indicated below.  
"Standard": Computers; office equipment; communications equipment; test and measurement equipment; audio and visual equipment; home electronic appliances; machine tools; personal electronic equipment; industrial robots; etc.  
"High Quality": Transportation equipment (automobiles, trains, ships, etc.); traffic control (traffic lights); large-scale communication equipment; key financial terminal systems; safety control equipment; etc.  
Unless expressly designated as a high reliability product or a product for harsh environments in a Renesas Electronics data sheet or other Renesas Electronics document, Renesas Electronics products are not intended or authorized for use in products or systems that may pose a direct threat to human life or bodily injury (artificial life support devices or systems; surgical implantations; etc.), or may cause serious property damage (space system; undersea repeaters; nuclear power control systems; aircraft control systems; key plant systems; military equipment; etc.). Renesas Electronics disclaims any and all liability for any damages or losses incurred by you or any third parties arising from the use of any Renesas Electronics product that is inconsistent with any Renesas Electronics data sheet, user's manual or other Renesas Electronics document.
  6. When using Renesas Electronics products, refer to the latest product information (data sheets, user's manuals, application notes, "General Notes for Handling and Using Semiconductor Devices" in the reliability handbook, etc.), and ensure that usage conditions are within the ranges specified by Renesas Electronics with respect to maximum ratings, operating power supply voltage range, heat dissipation characteristics, installation, etc. Renesas Electronics disclaims any and all liability for any malfunctions, failure or accident arising out of the use of Renesas Electronics products outside of such specified ranges.
  7. Although Renesas Electronics endeavors to improve the quality and reliability of Renesas Electronics products, semiconductor products have specific characteristics, such as the occurrence of failure at a certain rate and malfunctions under certain use conditions. Unless designated as a high reliability product or a product for harsh environments in a Renesas Electronics data sheet or other Renesas Electronics document, Renesas Electronics products are not subject to radiation resistance design. You are responsible for implementing safety measures to guard against the possibility of bodily injury, injury or damage caused by fire, and/or danger to the public in the event of a failure or malfunction of Renesas Electronics products, such as safety design for hardware and software, including but not limited to redundancy, fire control and malfunction prevention, appropriate treatment for aging degradation or any other appropriate measures. Because the evaluation of microcomputer software alone is very difficult and impractical, you are responsible for evaluating the safety of the final products or systems manufactured by you.
  8. Please contact a Renesas Electronics sales office for details as to environmental matters such as the environmental compatibility of each Renesas Electronics product. You are responsible for carefully and sufficiently investigating applicable laws and regulations that regulate the inclusion or use of controlled substances, including without limitation, the EU RoHS Directive, and using Renesas Electronics products in compliance with all these applicable laws and regulations. Renesas Electronics disclaims any and all liability for damages or losses occurring as a result of your noncompliance with applicable laws and regulations.
  9. Renesas Electronics products and technologies shall not be used for or incorporated into any products or systems whose manufacture, use, or sale is prohibited under any applicable domestic or foreign laws or regulations. You shall comply with any applicable export control laws and regulations promulgated and administered by the governments of any countries asserting jurisdiction over the parties or transactions.
  10. It is the responsibility of the buyer or distributor of Renesas Electronics products, or any other party who distributes, disposes of, or otherwise sells or transfers the product to a third party, to notify such third party in advance of the contents and conditions set forth in this document.
  11. This document shall not be reprinted, reproduced or duplicated in any form, in whole or in part, without prior written consent of Renesas Electronics.
  12. Please contact a Renesas Electronics sales office if you have any questions regarding the information contained in this document or Renesas Electronics products.
- (Note 1) "Renesas Electronics" as used in this document means Renesas Electronics Corporation and also includes its directly or indirectly controlled subsidiaries.  
(Note 2) "Renesas Electronics product(s)" means any product developed or manufactured by or for Renesas Electronics.

(Rev.4.0-1 November 2017)



### SALES OFFICES

Renesas Electronics Corporation

<http://www.renesas.com>

Refer to "<http://www.renesas.com/>" for the latest and detailed information.

#### Renesas Electronics Corporation

TOYOSU FORESIA, 3-2-24 Toyosu, Koto-ku, Tokyo 135-0061, Japan

#### Renesas Electronics America Inc.

1001 Murphy Ranch Road, Milpitas, CA 95035, U.S.A.  
Tel: +1-408-432-8888, Fax: +1-408-434-5351

#### Renesas Electronics Canada Limited

9251 Yonge Street, Suite 8309 Richmond Hill, Ontario Canada L4C 9T3  
Tel: +1-905-237-2004

#### Renesas Electronics Europe Limited

Dukes Meadow, Millboard Road, Bourne End, Buckinghamshire, SL8 5FH, U.K  
Tel: +44-1628-651-700

#### Renesas Electronics Europe GmbH

Arcadiastrasse 10, 40472 Düsseldorf, Germany  
Tel: +49-211-6503-0, Fax: +49-211-6503-1327

#### Renesas Electronics (China) Co., Ltd.

Room 1709 Quantum Plaza, No.27 ZhichunLu, Haidian District, Beijing, 100191 P. R. China  
Tel: +86-10-8235-1155, Fax: +86-10-8235-7679

#### Renesas Electronics (Shanghai) Co., Ltd.

Unit 301, Tower A, Central Towers, 555 Langao Road, Putuo District, Shanghai, 200333 P. R. China  
Tel: +86-21-2226-0888, Fax: +86-21-2226-0999

#### Renesas Electronics Hong Kong Limited

Unit 1601-1611, 16/F., Tower 2, Grand Century Place, 193 Prince Edward Road West, Mongkok, Kowloon, Hong Kong  
Tel: +852-2265-6688, Fax: +852 2886-9022

#### Renesas Electronics Taiwan Co., Ltd.

13F, No. 363, Fu Shing North Road, Taipei 10543, Taiwan  
Tel: +886-2-8175-9600, Fax: +886 2-8175-9670

#### Renesas Electronics Singapore Pte. Ltd.

80 Bendemeer Road, Unit #06-02 Hyflux Innovation Centre, Singapore 339949  
Tel: +65-6213-0200, Fax: +65-6213-0300

#### Renesas Electronics Malaysia Sdn.Bhd.

Unit 1207, Block B, Menara Amcorp, Amcorp Trade Centre, No. 18, Jln Persiaran Barat, 46050 Petaling Jaya, Selangor Darul Ehsan, Malaysia  
Tel: +60-3-7955-9390, Fax: +60-3-7955-9510

#### Renesas Electronics India Pvt. Ltd.

No.777C, 100 Feet Road, HAL 2nd Stage, Indiranagar, Bangalore 560 038, India  
Tel: +91-80-67208700, Fax: +91-80-67208777

#### Renesas Electronics Korea Co., Ltd.

17F, KAMCO Yangjae Tower, 262, Gangnam-daero, Gangnam-gu, Seoul, 06265 Korea  
Tel: +82-2-558-3737, Fax: +82-2-558-5338