

### FEATURES

- Dual, 1024-Position Resolution**
- 25 k $\Omega$ , 250 k $\Omega$  Full-Scale Resistance**
- Low Temperature Coefficient: 35 ppm/ $^{\circ}$ C**
- Nonvolatile Memory<sup>1</sup> Preset Maintains Wiper Settings**
- Permanent Memory Write-Protection**
- Wiper Settings Read Back**
- Actual Tolerance Stored in EEMEM<sup>1</sup>**
- Linear Increment/Decrement**
- Log Taper Increment/Decrement**
- SPI Compatible Serial Interface**
- 3 V to 5 V Single Supply or  $\pm$ 2.5 V Dual Supply**
- 26 Bytes User Nonvolatile Memory for Constant Storage**
- Current Monitoring Configurable Function**
- 100-Year Typical Data Retention  $T_A = 55^{\circ}$ C**

### APPLICATIONS

**SONET, SDH, ATM, Gigabit Ethernet, DWDM Laser  
Diode Driver Optical Supervisory Systems**

### GENERAL DESCRIPTION

The ADN2850 provides dual-channel, digitally controlled programmable resistors<sup>2</sup> with resolution of 1024 positions. These devices perform the same electronic adjustment function as a mechanical rheostat with enhanced resolution, solid-state reliability, and superior low temperature coefficient performance. The ADN2850's versatile programming via a standard serial interface allows 16 modes of operation and adjustment, including scratch pad programming, memory storing and retrieving, increment/decrement, log taper adjustment, wiper setting readback, and extra user defined EEMEM<sup>1</sup>.

Another key feature of the ADN2850 is that the actual tolerance is stored in the EEMEM. The actual full-scale resistance can therefore be known, which is valuable for tolerance matching and calibration.

In the scratch pad programming mode, a specific setting can be programmed directly to the RDAC<sup>2</sup> register, which sets the resistance between terminals W and B. The RDAC register can also be loaded with a value previously stored in the EEMEM register. The value in the EEMEM can be changed or protected. When changes are made to the RDAC register, the value of the new setting can be saved into the EEMEM. Thereafter, such value will be transferred automatically to the RDAC register during system power ON, which is enabled by the internal preset strobe. EEMEM can also be retrieved through direct programming and external preset pin control.

\*Patent pending

### NOTES

<sup>1</sup>The term nonvolatile memory and EEMEM are used interchangeably.

<sup>2</sup>The term programmable resistor and RDAC are used interchangeably.

### REV. B

Information furnished by Analog Devices is believed to be accurate and reliable. However, no responsibility is assumed by Analog Devices for its use, nor for any infringements of patents or other rights of third parties that may result from its use. No license is granted by implication or otherwise under any patent or patent rights of Analog Devices.

### FUNCTIONAL BLOCK DIAGRAM

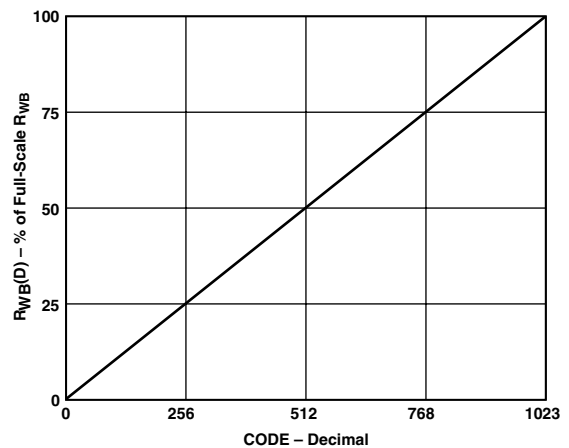
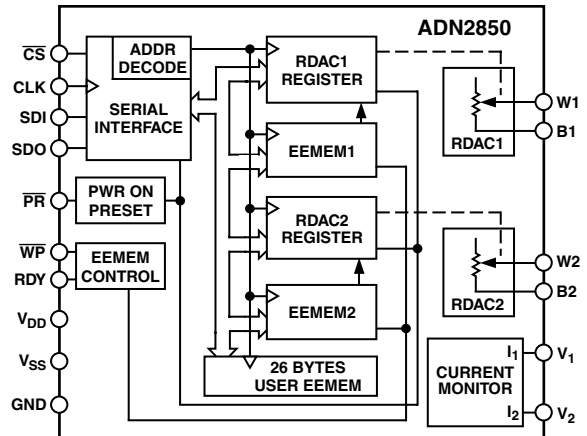


Figure 1.  $R_{WB}(D)$  vs. Decimal Code

The linear step increment and decrement commands enable the setting in the RDAC register to be moved UP or DOWN, one step at a time. For logarithmic changes in wiper setting, a left/right bit shift command adjusts the level in  $\pm 6$  dB steps.

The ADN2850 is available in the 5 mm  $\times$  5 mm 16-lead frame chip scale LFCSP and thin 16-lead TSSOP packages. All parts are guaranteed to operate over the extended industrial temperature range of  $-40^{\circ}$ C to  $+85^{\circ}$ C.

# ADN2850—SPECIFICATIONS

## ELECTRICAL CHARACTERISTICS 25 kΩ, 250 kΩ VERSIONS

( $V_{DD} = 3\text{ V to }5.5\text{ V}$  and  $-40^{\circ}\text{C} < T_A < +85^{\circ}\text{C}$ , unless otherwise noted.)<sup>1</sup>

| Parameter   | Symbol                   | Conditions  | Min        | Typ <sup>2</sup> | Max        | Unit                         |
|---|--------------------------|---|------------|------------------|------------|------------------------------|
| <b>DC CHARACTERISTICS RHEOSTAT MODE</b> (Specifications apply to all RDACs) |                          |   |            |                  |            |                              |
| Resistor Differential Nonlinearity <sup>3</sup>                             | R-DNL                    | $R_{WB}$  | -2         |                  | +2         | LSB                          |
| Resistor Integral Nonlinearity <sup>3</sup>                                 | R-INL                    | $R_{WB}$  | -4         |                  | +4         | LSB                          |
| Resistance Temperature Coefficient  | $\Delta R_{WB}/\Delta T$ |   |            | 35               |            | ppm/ $^{\circ}\text{C}$      |
| Wiper Resistance  | $R_W$                    | $V_{DD} = 5\text{ V}$ , $I_W = 100\ \mu\text{A}$ ,<br>Code = Half-scale   |            | 50               | 100        | $\Omega$                     |
|   |                          | $V_{DD} = 3\text{ V}$ , $I_W = 100\ \mu\text{A}$ ,<br>Code = Half-scale   |            | 200              |            | $\Omega$                     |
| Channel Resistance Matching   | $\Delta R_{WB}/R_{WB}$   | Ch 1 and 2 $R_{WB}$ , $Dx = 3FF_H$  |            | 0.1              |            | %                            |
| Nominal Resistor Tolerance  | $\Delta R_{WB}$          |   | -30        |                  | +30        | %                            |
| <b>RESISTOR TERMINALS</b>   |                          |   |            |                  |            |                              |
| Terminal Voltage Range <sup>4</sup>   | $V_{W,B}$                |   | $V_{SS}$   |                  | $V_{DD}$   | V                            |
| Capacitance <sup>5</sup> Bx   | $C_B$                    | $f = 1\text{ MHz}$ , measured to GND,<br>Code = Half-scale  |            | 11               |            | pF                           |
| Capacitance <sup>5</sup> Wx   | $C_W$                    | $f = 1\text{ MHz}$ , measured to GND,<br>Code = Half-scale  |            | 80               |            | pF                           |
| Common-Mode Leakage Current <sup>6</sup>                                    | $I_{CM}$                 | $V_W = V_B = V_{DD}/2$  |            | 0.01             | $\pm 2$    | $\mu\text{A}$                |
| <b>DIGITAL INPUTS AND OUTPUTS</b>   |                          |   |            |                  |            |                              |
| Input Logic High  | $V_{IH}$                 | With respect to GND, $V_{DD} = 5\text{ V}$  | 2.4        |                  |            | V                            |
| Input Logic Low   | $V_{IL}$                 | With respect to GND, $V_{DD} = 5\text{ V}$  |            |                  | 0.8        | V                            |
| Input Logic High  | $V_{IH}$                 | With respect to GND, $V_{DD} = 3\text{ V}$  | 2.1        |                  |            | V                            |
| Input Logic Low   | $V_{IL}$                 | With respect to GND, $V_{DD} = 3\text{ V}$  |            |                  | 0.6        | V                            |
| Input Logic High  | $V_{IH}$                 | With respect to GND,<br>$V_{DD} = +2.5\text{ V}$ , $V_{SS} = -2.5\text{ V}$   | 2.0        |                  |            | V                            |
| Input Logic Low   | $V_{IL}$                 | With respect to GND,<br>$V_{DD} = +2.5\text{ V}$ , $V_{SS} = -2.5\text{ V}$   |            |                  | 0.5        | V                            |
| Output Logic High (SDO, RDY)  | $V_{OH}$                 | $R_{PULL-UP} = 2.2\text{ k}\Omega$ to $5\text{ V}$  | 4.9        |                  |            | V                            |
| Output Logic Low  | $V_{OL}$                 | $I_{OL} = 1.6\text{ mA}$ , $V_{LOGIC} = 5\text{ V}$   |            |                  | 0.4        | V                            |
| Input Current   | $I_{IL}$                 | $V_{IN} = 0\text{ V}$ or $V_{DD}$   |            |                  | $\pm 2.25$ | $\mu\text{A}$                |
| Input Capacitance <sup>5</sup>  | $C_{IL}$                 |   |            | 5                |            | pF                           |
| <b>POWER SUPPLIES</b>   |                          |   |            |                  |            |                              |
| Single-Supply Power Range   | $V_{DD}$                 | $V_{SS} = 0\text{ V}$   | 3.0        |                  | 5.5        | V                            |
| Dual-Supply Power Range   | $V_{DD}/V_{SS}$          |   | $\pm 2.25$ |                  | $\pm 2.75$ | V                            |
| Positive Supply Current   | $I_{DD}$                 | $V_{IH} = V_{DD}$ or $V_{IL} = \text{GND}$ ,<br>$T_A = 25^{\circ}\text{C}$  |            | 2                | 4.5        | $\mu\text{A}$                |
| Positive Supply Current   | $I_{DD}$                 | $V_{IH} = V_{DD}$ or $V_{IL} = \text{GND}$  |            | 3.5              | 6.0        | $\mu\text{A}$                |
| Programming Mode Current  | $I_{DD(PG)}$             | $V_{IH} = V_{DD}$ or $V_{IL} = \text{GND}$  |            | 35               |            | mA                           |
| Read Mode Current <sup>7</sup>  | $I_{DD(XFR)}$            | $V_{IH} = V_{DD}$ or $V_{IL} = \text{GND}$  | 0.3        | 3                | 9          | mA                           |
| Negative Supply Current   | $I_{SS}$                 | $V_{IH} = V_{DD}$ or $V_{IL} = \text{GND}$ ,<br>$V_{DD} = +2.5\text{ V}$ , $V_{SS} = -2.5\text{ V}$   |            | 3.5              | 6.0        | $\mu\text{A}$                |
| Power Dissipation <sup>8</sup>  | $P_{DISS}$               | $V_{IH} = V_{DD}$ or $V_{IL} = \text{GND}$  |            | 18               | 50         | $\mu\text{W}$                |
| Power Supply Sensitivity  | $P_{SS}$                 | $\Delta V_{DD} = 5\text{ V} \pm 10\%$   |            | 0.002            | 0.01       | %/%                          |
| <b>CURRENT MONITOR TERMINALS</b>  |                          |   |            |                  |            |                              |
| Current Sink at $V_1$ <sup>9</sup>  | $I_1$                    |   | 0.0001     |                  | 10         | mA                           |
| Current Sink at $V_2$   | $I_2$                    |   |            |                  | 10         | mA                           |
| <b>DYNAMIC CHARACTERISTICS<sup>5, 10</sup></b>                              |                          |   |            |                  |            |                              |
| Resistor Noise Spectral Density   | $e_{N\_WB}$              | $R_{WB\_FS} = 25\text{ k}\Omega/250\text{ k}\Omega$ , $f = 1\text{ kHz}$  |            | 20/64            |            | $\text{nV}/\sqrt{\text{Hz}}$ |
| Analog Crosstalk ( $C_{W1}/C_{W2}$ )  | $C_T$                    | $V_{B1} = V_{B2} = 0\text{ V}$ , Measured $V_{W1}$ with<br>$V_{W2} = 100\text{ mV p-p}$ @ $f = 100\text{ kHz}$ ,<br>Code 1 = Code 2 = $200_H$ |            |                  | -65        | dB                           |

| Parameter  | Symbol     | Conditions  | Min | Typ <sup>2</sup> | Max | Unit      |
|--|------------|---|-----|------------------|-----|-----------|
| <b>INTERFACE TIMING CHARACTERISTICS (apply to all parts)<sup>5, 11</sup></b> |            |   |     |                  |     |           |
| Clock Cycle Time ( $t_{CYC}$ )   | $t_1$      |   | 20  |                  |     | ns        |
| $\overline{CS}$ Setup Time   | $t_2$      |   | 10  |                  |     | ns        |
| CLK Shutdown Time to $\overline{CS}$ Rise                                    | $t_3$      |   | 1   |                  |     | $t_{CYC}$ |
| Input Clock Pulsewidth   | $t_4, t_5$ | Clock Level High or Low   | 10  |                  |     | ns        |
| Data Setup Time  | $t_6$      | From Positive CLK Transition  | 5   |                  |     | ns        |
| Data Hold Time   | $t_7$      | From Positive CLK Transition  | 5   |                  |     | ns        |
| $\overline{CS}$ to SDO – SPI Line Acquire                                    | $t_8$      |   |     |                  | 40  | ns        |
| $\overline{CS}$ to SDO – SPI Line Release                                    | $t_9$      |   |     |                  | 50  | ns        |
| CLK to SDO Propagation Delay <sup>12</sup>                                   | $t_{10}$   | $R_p = 2.2\text{ k}\Omega, C_L < 20\text{ pF}$                      |     |                  | 50  | ns        |
| $\overline{CS}$ High Pulsewidth <sup>13</sup>                                | $t_{12}$   |   | 10  |                  |     | ns        |
| $\overline{CS}$ High to $\overline{CS}$ High <sup>13</sup>                   | $t_{13}$   |   | 4   |                  |     | $t_{CYC}$ |
| RDY Rise to $\overline{CS}$ Fall   | $t_{14}$   |   | 0   |                  |     | ns        |
| $\overline{CS}$ Rise to RDY Fall Time  | $t_{15}$   |   |     | 0.15             | 0.3 | ms        |
| Read/Store to Nonvolatile EEMEM <sup>14</sup>                                | $t_{16}$   | Applies to Command 2 <sub>H</sub> , 3 <sub>H</sub> , 9 <sub>H</sub> |     | 35               |     | ms        |
| $\overline{CS}$ Rise to Clock Edge Setup                                     | $t_{17}$   |   | 10  |                  |     | ns        |
| Preset Pulsewidth (Asynchronous)   | $t_{PRW}$  | Not Shown in Timing Diagram   | 50  |                  |     | ns        |
| Preset Response Time to Wiper Setting  | $t_{PRES}$ | $\overline{PR}$ Pulsed Low to Refresh Wiper Positions               |     | 140              |     | $\mu$ s   |
| <b>FLASH/EE MEMORY RELIABILITY</b>   |            |   |     |                  |     |           |
| Endurance <sup>15</sup>  |            |   | 100 |                  |     | K Cycles  |
| Data Retention <sup>16</sup>   |            |   |     | 100              |     | Years     |

## NOTES

<sup>1</sup> Parts can be operated at 2.7 V single supply, except from 08C to –408C, where minimum 3 V is needed.

<sup>2</sup> Typical values represent average readings at 258C and  $V_{DD} = 5\text{ V}$ .

<sup>3</sup> Resistor position nonlinearity error R-INL is the deviation from an ideal value measured between the maximum resistance and the minimum resistance wiper positions. R-DNL measures the relative step change from ideal between successive tap positions.  $I_W \sim 50\text{ }\mu\text{A}$  for  $V_{DD} = 2.7\text{ V}$  and  $I_W \sim 400\text{ }\mu\text{A}$  for  $V_{DD} = 5\text{ V}$ .

<sup>4</sup> Resistor terminals W and B have no limitations on polarity with respect to each other.

<sup>5</sup> Guaranteed by design and not subject to production test.

<sup>6</sup> Common-mode leakage current is a measure of the dc leakage from any terminal B and W to a common-mode bias level of  $V_{DD}/2$ .

<sup>7</sup> Transfer (XFR) mode current is not continuous. Current consumed while EEMEM locations are read and transferred to the RDAC register. See TPC 9.

<sup>8</sup>  $P_{DISS}$  is calculated from  $(I_{DD} \times V_{DD}) + (I_{SS} \times V_{SS})$ .

<sup>9</sup> Applies to photodiode of optical receiver.

<sup>10</sup> All dynamic characteristics use  $V_{DD} = +2.5\text{ V}$  and  $V_{SS} = -2.5\text{ V}$ .

<sup>11</sup> See timing diagram for location of measured values. All input control voltages are specified with  $t_R = t_F = 2.5\text{ ns}$  (10% to 90% of 3 V) and timed from a voltage level of 1.5 V. Switching characteristics are measured using both  $V_{DD} = 3\text{ V}$  and 5 V.

<sup>12</sup> Propagation delay depends on value of  $V_{DD}$ ,  $R_{PULL\_UP}$ , and  $C_L$ . See Applications section.

<sup>13</sup> Valid for commands that do not activate the RDY pin.

<sup>14</sup> RDY pin low only for commands 2, 3, 8, 9, 10, and PR hardware pulse: CMD\_8 ~ 1 ms; CMD\_9, 10 ~ 0.1 ms; CMD\_2, 3 ~ 20 ms. Device operation at  $T_A = -40^\circ\text{C}$  and  $V_{DD} < 3\text{ V}$  extends the save time to 35 ms.

<sup>15</sup> Endurance is qualified to 100,000 cycles as per JEDEC Std. 22 method A117 and measured at  $-40^\circ\text{C}$ ,  $+25^\circ\text{C}$ , and  $+85^\circ\text{C}$ ; typical endurance at  $+25^\circ\text{C}$  is 700,000 cycles.

<sup>16</sup> Retention lifetime equivalent at junction temperature ( $T_J$ ) =  $55^\circ\text{C}$  as per JEDEC Std. 22, Method A117. Retention lifetime based on an activation energy of 0.6 V will derate with junction temperature.

Specifications subject to change without notice.

The ADN2850 contains 16,000 transistors. Die size: 93 mil  $\times$  103 mil, 10,197 sq mil.

# ADN2850

## TIMING DIAGRAMS

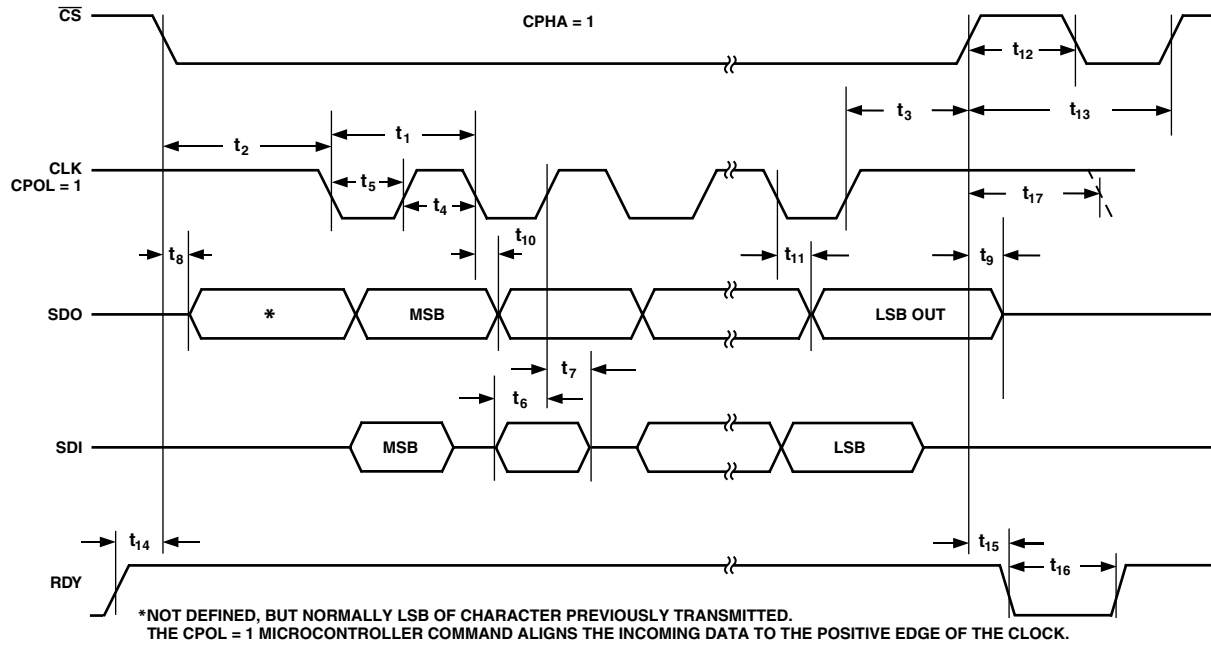


Figure 2a. CPHA = 1 Timing Diagram

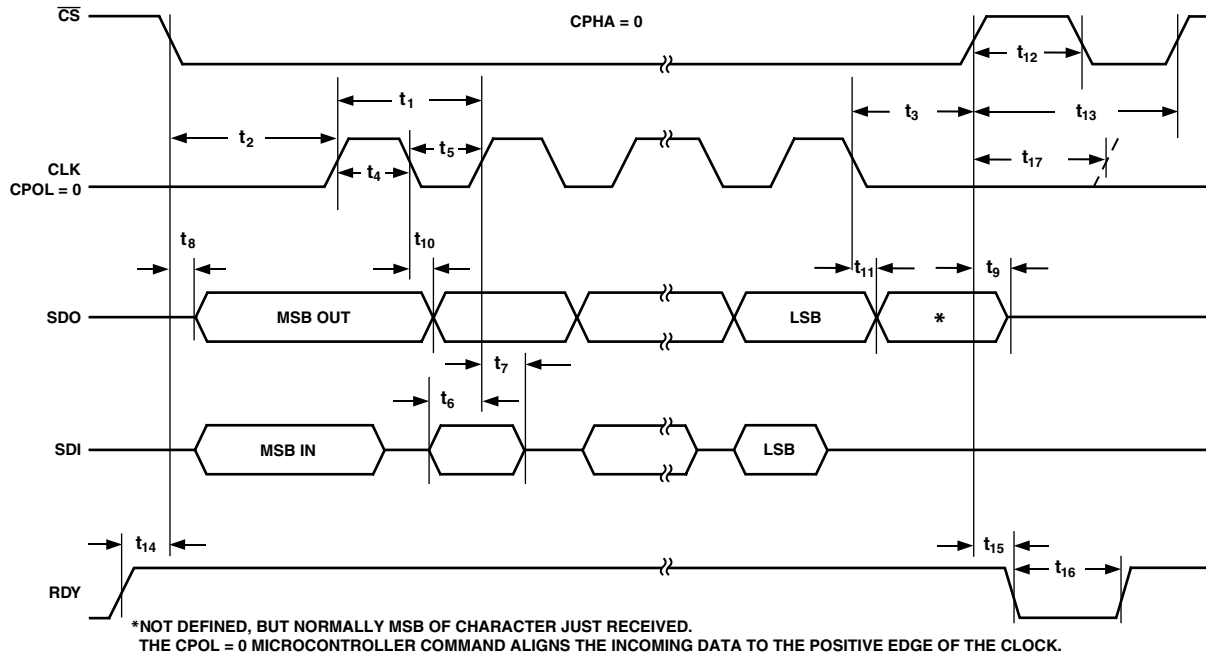


Figure 2b. CPHA = 0 Timing Diagram

## ABSOLUTE MAXIMUM RATINGS<sup>1</sup>

(T<sub>A</sub> = 25°C, unless otherwise noted.)

|   |       |  |
|---|-------|--|
| V <sub>DD</sub> to GND                            | ..... | -0.3 V, +7 V                                     |
| V <sub>SS</sub> to GND                            | ..... | +0.3 V, -7 V                                     |
| V <sub>DD</sub> to V <sub>SS</sub>                | ..... | 7 V  |
| V <sub>B</sub> , V <sub>W</sub> to GND            | ..... | V <sub>SS</sub> - 0.3 V, V <sub>DD</sub> + 0.3 V |
| I <sub>B</sub> , I <sub>W</sub>                   |       |  |
| Intermittent <sup>2</sup>                         | ..... | ±20 mA   |
| Continuous  | ..... | ±2 mA  |
| Digital Inputs and Output Voltage                 |       |  |
| to GND  | ..... | -0.3 V, V <sub>DD</sub> + 0.3 V                  |
| Operating Temperature Range <sup>3</sup>          | ..... | -40°C to +85°C                                   |
| Maximum Junction Temperature (T <sub>J</sub> MAX) | ..... | 150°C  |
| Storage Temperature                               | ..... | -65°C to +150°C                                  |
| Lead Temperature, Soldering <sup>4</sup>          |       |  |
| Vapor Phase (60 sec)                              | ..... | 215°C  |
| Infrared (15 sec)                                 | ..... | 220°C  |

Thermal Resistance Junction-to-Ambient θ<sub>JA</sub>,

LFCSP-16 ..... 35°C/W

TSSOP-16 ..... 150°C/W

Thermal Resistance Junction-to-Case θ<sub>JC</sub>,

TSSOP-16 ..... 28°C/W

Package Power Dissipation = (T<sub>J</sub>MAX - T<sub>A</sub>)/θ<sub>JA</sub>

### NOTES

<sup>1</sup>Stresses above those listed under Absolute Maximum Ratings may cause permanent damage to the device. This is a stress rating; functional operation of the device at these or any other conditions above those listed in the operational sections of this specification is not implied. Exposure to absolute maximum rating conditions for extended periods may affect device reliability.

<sup>2</sup>Maximum terminal current is bounded by the maximum current handling of the switches, maximum power dissipation of the package, and maximum applied voltage across any two of the B and W terminals at a given resistance.

<sup>3</sup>Includes programming of nonvolatile memory.

<sup>4</sup>Applicable to TSSOP-16 only. For LFCSP-16, please consult factory for details.

## ORDERING GUIDE

| Model             | R <sub>WB_FS</sub><br>(kΩ) | RDNL<br>(LSB) | RINL<br>(LSB) | Temperature<br>Range (°C) | Package<br>Description | Package<br>Option | Ordering<br>Quantity | Top Mark* |
|-------------------|----------------------------|---------------|---------------|---------------------------|------------------------|-------------------|----------------------|-----------|
| ADN2850BCP25      | 25                         | ±2            | ±4            | -40 to +85                | LFCSP-16               | CP-16             | 96                   | BCP25     |
| ADN2850BCP25-RL7  | 25                         | ±2            | ±4            | -40 to +85                | LFCSP-16<br>7" Reel    | CP-16             | 1,000                | BCP25     |
| ADN2850BCP250     | 250                        | ±2            | ±4            | -40 to +85                | LFCSP-16               | CP-16             | 96                   | BCP250    |
| ADN2850BCP250-RL7 | 250                        | ±2            | ±4            | -40 to +85                | LFCSP-16<br>7" Reel    | CP-16             | 1,000                | BCP250    |
| ADN2850BRU25      | 25                         | ±2            | ±4            | -40 to +85                | TSSOP-16               | RU-16             | 96                   | 2850B25   |
| ADN2850BRU25-RL7  | 25                         | ±2            | ±4            | -40 to +85                | TSSOP-16<br>7" Reel    | RU-16             | 1,000                | 2850B25   |

\*Line 1 contains product number, ADN2850, line 2 Top Mark branding contains differentiating detail by part type, line 3 contains lot number, line 4 contains product date code YYWW.

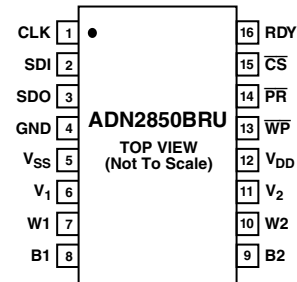
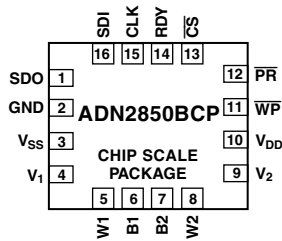
### CAUTION

ESD (electrostatic discharge) sensitive device. Electrostatic charges as high as 4000 V readily accumulate on the human body and test equipment and can discharge without detection. Although the ADN2850 features proprietary ESD protection circuitry, permanent damage may occur on devices subjected to high energy electrostatic discharges. Therefore, proper ESD precautions are recommended to avoid performance degradation or loss of functionality.



# ADN2850

## PIN CONFIGURATIONS



### ADN2850BCP PIN FUNCTION DESCRIPTIONS

| Pin No. | Mnemonic        | Description  |
|---------|-----------------|--|
| 1       | SDO             | Serial Data Output Pin. Open-Drain output requires external pull-up resistor. CMD_9 and CMD_10 activate the SDO output. See Instruction Operation Truth Table (Table II). Other commands shift out the previously loaded SDI bit pattern delayed by 24 clock pulses. This allows daisy-chain operation of multiple packages. |
| 2       | GND             | Ground Pin, logic ground reference   |
| 3       | V <sub>SS</sub> | Negative Supply. Connect to zero volts for single-supply applications.   |
| 4       | V <sub>1</sub>  | Log Output Voltage 1 generated from internal diode configured transistor   |
| 5       | W1              | Wiper terminal of RDAC1 ADDR (RDAC1) = 0 <sub>H</sub> .  |
| 6       | B1              | B terminal of RDAC1  |
| 7       | B2              | B terminal of RDAC2  |
| 8       | W2              | Wiper terminal of RDAC2. ADDR (RDAC2) = 1 <sub>H</sub> .   |
| 9       | V <sub>2</sub>  | Log Output Voltage 2 generated from internal diode configured transistor   |
| 10      | V <sub>DD</sub> | Positive Power Supply Pin  |
| 11      | $\overline{WP}$ | Write Protect Pin. When active low, $\overline{WP}$ prevents any changes to the present register contents, except $\overline{PR}$ and CMD_1 and CMD_8 will refresh the RDAC register from EEMEM. Execute a NOP instruction before returning to $\overline{WP}$ high.   |
| 12      | $\overline{PR}$ | Hardware Override Preset Pin. Refreshes the scratch pad register with current contents of the EEMEM register. Factory default loads midscale 512 <sub>10</sub> until EEMEM loaded with a new value by the user ( $\overline{PR}$ is activated at the logic high transition).   |
| 13      | $\overline{CS}$ | Serial Register chip select active low. Serial register operation takes place when $\overline{CS}$ returns to logic high.  |
| 14      | RDY             | Ready. Active high open-drain output. Identifies completion of commands 2, 3, 8, 9, 10, and $\overline{PR}$ .  |
| 15      | CLK             | Serial Input Register Clock Pin. Shifts in one bit at a time on positive clock edges.  |
| 16      | SDI             | Serial Data Input Pin. Shifts in one bit at a time on positive clock CLK edges. MSB loaded first.  |

### ADN2850BRU PIN FUNCTION DESCRIPTIONS

| Pin No. | Mnemonic        | Description   |
|---------|-----------------|---|
| 1       | CLK             | Serial Input Register Clock Pin. Shifts in one bit at a time on positive clock edges.   |
| 2       | SDI             | Serial Data Input Pin. Shifts in one bit at a time on positive clock CLK edges. MSB loaded first.   |
| 3       | SDO             | Serial Data Output Pin. Open-drain out put requires external pull-up resistor. CMD_9 and CMD_10 activate the SDO output. See Instruction Operation Truth Table (Table II). Other commands shift out the previously loaded SDI bit pattern delayed by 24 clock pulses. This allows daisy-chain operation of multiple packages. |
| 4       | GND             | Ground Pin, logic ground reference  |
| 5       | V <sub>SS</sub> | Negative Supply. Connect to zero volts for single-supply applications.  |
| 6       | V <sub>1</sub>  | Log Output Voltage 1 generated from internal diode configured transistor  |
| 7       | W1              | Wiper terminal of RDAC1. ADDR (RDAC1) = 0 <sub>H</sub> .  |
| 8       | B1              | B terminal of RDAC1   |
| 9       | B2              | B terminal of RDAC2   |
| 10      | W2              | Wiper terminal of RDAC2. ADDR (RDAC2) = 1 <sub>H</sub> .  |
| 11      | V <sub>2</sub>  | Log Output Voltage 2 generated from internal diode configured transistor  |
| 12      | V <sub>DD</sub> | Positive Power Supply Pin   |
| 13      | $\overline{WP}$ | Write Protect Pin. When active low, $\overline{WP}$ prevents any changes to the present contents except $\overline{PR}$ and CMD_1 and CMD_8 will refresh the RDAC register from EEMEM. Execute a NOP instruction before returning to $\overline{WP}$ high.  |
| 14      | $\overline{PR}$ | Hardware Override Preset Pin. Refreshes the scratch pad register with current contents of the EEMEM register. Factory default loads midscale 512 <sub>10</sub> until EEMEM loaded with a new value by the user ( $\overline{PR}$ is activated at the logic high transition).  |
| 15      | $\overline{CS}$ | Serial Register chip select active low. Serial register operation takes place when $\overline{CS}$ returns to logic high.   |
| 16      | RDY             | Ready. Active high open-drain output. Identifies completion of commands 2, 3, 8, 9, 10, and $\overline{PR}$ .   |

**Table I. 24-Bit Serial Data-Word**

|       | MSB | Instruction Byte 0 |    |    |    |    |    |    | Data Byte 1 |     |     |     |     |     |    | Data Byte 0 |    |    |    |    |    | LSB |    |    |
|-------|-----|--------------------|----|----|----|----|----|----|-------------|-----|-----|-----|-----|-----|----|-------------|----|----|----|----|----|-----|----|----|
| RDAC  | C3  | C2                 | C1 | C0 | 0  | 0  | 0  | A0 | X           | X   | X   | X   | X   | X   | D9 | D8          | D7 | D6 | D5 | D4 | D3 | D2  | D1 | D0 |
| EEMEM | C3  | C2                 | C1 | C0 | A3 | A2 | A1 | A0 | D15         | D14 | D13 | D12 | D11 | D10 | D9 | D8          | D7 | D6 | D5 | D4 | D3 | D2  | D1 | D0 |

Command bits are C0 to C3. Address bits are A3–A0. Data bits D0 to D9 are applicable to RDAC wiper register whereas D0 to D15 are applicable to EEMEM Register. Command instruction codes are defined in Table II.

**Table II. Instruction Operation Truth Table<sup>1,2,3</sup>**

| Inst Number     | Instruction Byte 0 |           |    |    |    |    |    |    | Data Byte 1 |             |  |  | Data Byte 0 |          |  |  | Operation   |
|-----------------|--------------------|-----------|----|----|----|----|----|----|-------------|-------------|--|--|-------------|----------|--|--|---|
|                 | B23                | ..... B16 |    |    |    |    |    |    | B15         | ..... B8    |  |  | B7          | ..... B0 |  |  |   |
|                 | C3                 | C2        | C1 | C0 | A3 | A2 | A1 | A0 | X           | ..... D9 D8 |  |  | D7          | ..... D0 |  |  |   |
| 0               | 0                  | 0         | 0  | 0  | X  | X  | X  | X  | X           | ..... X X   |  |  | X           | ..... X  |  |  | NOP: Do nothing. See Table XI for Programming example.  |
| 1               | 0                  | 0         | 0  | 1  | 0  | 0  | 0  | A0 | X           | ..... X X   |  |  | X           | ..... X  |  |  | Retrieve contents of EEMEM(A0) to RDAC(A0) Register. This command leaves device in the Read Program power state. To return part to the idle state, perform NOP instruction 0. See Table XI. |
| 2               | 0                  | 0         | 1  | 0  | 0  | 0  | 0  | A0 | X           | ..... X X   |  |  | X           | ..... X  |  |  | SAVE WIPER SETTING: Write contents of RDAC(A0) to EEMEM(A0). See Table X.   |
| 3 <sup>4</sup>  | 0                  | 0         | 1  | 1  | A3 | A2 | A1 | A0 | D15         | ..... D8    |  |  | D7          | ..... D0 |  |  | Write contents of Serial Register Data Bytes 0 and 1 (total 16-bit) to EEMEM(ADDR). See Table XIII.   |
| 4 <sup>5</sup>  | 0                  | 1         | 0  | 0  | 0  | 0  | 0  | A0 | X           | ..... X X   |  |  | X           | ..... X  |  |  | Decrement 6 dB: Right shift contents of RDAC(A0) Register, stops at all “Zeros.”  |
| 5 <sup>5</sup>  | 0                  | 1         | 0  | 1  | X  | X  | X  | X  | X           | ..... X X   |  |  | X           | ..... X  |  |  | Decrement All 6 dB: Right shift contents of all RDAC Registers, stops at all “Zeros.”   |
| 6 <sup>5</sup>  | 0                  | 1         | 1  | 0  | 0  | 0  | 0  | A0 | X           | ..... X X   |  |  | X           | ..... X  |  |  | Decrement contents of RDAC(A0) by “One,” stops at all “Zeros.”  |
| 7 <sup>5</sup>  | 0                  | 1         | 1  | 1  | X  | X  | X  | X  | X           | ..... X X   |  |  | X           | ..... X  |  |  | Decrement contents of all RDAC Registers by “One,” stops at all “Zeros.”  |
| 8               | 1                  | 0         | 0  | 0  | X  | X  | X  | X  | X           | ..... X X   |  |  | X           | ..... X  |  |  | RESET: Load all RDACs with their corresponding EEMEM previously saved values.   |
| 9               | 1                  | 0         | 0  | 1  | A3 | A2 | A1 | A0 | X           | ..... X X   |  |  | X           | ..... X  |  |  | Transfer contents of EEMEM (ADDR) to Serial Register Data Bytes 0 and 1, and previously stored data can be read out from the SDO pin. See Table XIV.  |
| 10              | 1                  | 0         | 1  | 0  | 0  | 0  | 0  | A0 | X           | ..... X X   |  |  | X           | ..... X  |  |  | Transfer contents of RDAC (A0) to Serial Register Data Bytes 0 and 1, and wiper setting can be read from the SDO pin. See Table XV.   |
| 11              | 1                  | 0         | 1  | 1  | 0  | 0  | 0  | A0 | X           | ..... D9 D8 |  |  | D7          | ..... D0 |  |  | Write contents of Serial Register Data Bytes 0 and 1 (total 11-bit) to RDAC(A0). See Table IX.  |
| 12 <sup>5</sup> | 1                  | 1         | 0  | 0  | 0  | 0  | 0  | A0 | X           | ..... X X   |  |  | X           | ..... X  |  |  | Increment 6 dB: Left shift contents of RDAC(A0), stops at all “Ones.” See Table XII.  |
| 13 <sup>5</sup> | 1                  | 1         | 0  | 1  | X  | X  | X  | X  | X           | ..... X X   |  |  | X           | ..... X  |  |  | Increment All 6 dB: Left shift contents of all RDAC Registers, stops at all “Ones.”   |
| 14 <sup>5</sup> | 1                  | 1         | 1  | 0  | 0  | 0  | 0  | A0 | X           | ..... X X   |  |  | X           | ..... X  |  |  | Increment contents of RDAC(A0) by “One,” stops at all “Ones.” See Table X.  |
| 15 <sup>5</sup> | 1                  | 1         | 1  | 1  | X  | X  | X  | X  | X           | ..... X X   |  |  | X           | ..... X  |  |  | Increment contents of all RDAC Registers by “One,” stops at all “Ones.”   |

**NOTES**

<sup>1</sup>The SDO output shifts out the last 24 bits of data clocked into the serial register for daisy-chain operation. Exception: for any instruction following Instruction 9 or 10, the selected internal register data will be present in data byte 0 and 1. The instructions following 9 and 10 must also be a full 24-bit data-word to completely clock out the contents of the serial register.

<sup>2</sup>The RDAC register is a volatile scratch pad register that is refreshed at power ON from the corresponding nonvolatile EEMEM register.

<sup>3</sup>Execution of the above operations takes place when the CS strobe returns to logic high.

<sup>4</sup>Instruction 3 writes 2 data bytes (total 16-bit) to EEMEM. But in the cases of addresses 0 and 1, only the last 10 bits are valid for wiper position setting.

<sup>5</sup>The increment, decrement, and shift commands ignore the contents of the shift register data bytes 0 and 1.

# ADN2850

## OPERATIONAL OVERVIEW

The ADN2850 programmable resistor is designed to operate as a true variable resistor. The resistor wiper position is determined by the RDAC register contents. The RDAC register acts as a scratch pad register which allows unlimited changes of resistance settings. The scratch pad register can be programmed with any position setting using the standard SPI serial interface by loading the 24-bit data-word. The format of the data-word is that the first 4 bits are instructions, the following 4 bits are addresses, and the last 16 bits are data. Once a specific value is set, this value can be saved into a corresponding EEMEM register. During subsequent power-ups, the wiper setting will automatically be loaded at that value. Saving data to the EEMEM takes about 25 ms and consumes approximately 20 mA. During this time the shift register is locked, preventing any changes from taking place. The RDY pin indicates the completion of this EEMEM saving process. There are also 13 two-bytes addresses, of user defined data that can be stored in EEMEM.

## OPERATION DETAIL

There are 16 instructions that facilitate users' programming needs. Referring to Table II, the instructions are:

0. Do Nothing
1. Restore EEMEM setting to RDAC
2. Save RDAC setting to EEMEM
3. Save user data or RDAC setting to EEMEM
4. Decrement 6 dB
5. Decrement all 6 dB
6. Decrement one step
7. Decrement all one step
8. Reset all EEMEM settings to RDAC
9. Read EEMEM to SDO
10. Read Wiper Setting to SDO
11. Write data to RDAC
12. Increment 6 dB
13. Increment all 6 dB
14. Increment one step
15. Increment all one step

Tables VIII to XIV provide a few programming examples by using some of these instructions.

### Scratch Pad and EEMEM Programming

The basic mode of setting the programmable resistor wiper position (programming the scratch pad register) is done by loading the serial data input register with the instruction 11, the corresponding address, and the data. Since the scratch pad register is a standard logic register, there is no restriction on the number of changes allowed. When the desired wiper position is determined, the user can load the serial data input register with the instruction 2, which stores the setting into the corresponding EEMEM register. The EEMEM value can be changed at any time or permanently protected by activating the  $\overline{WP}$  command. Table III provides a programming example listing the sequence of serial data input (SDI) words and the corresponding serial data output (SDO) in hexadecimal format.

**Table III. Set and Save RDAC with Independent Data to EEMEM Registers**

| SDI                 | SDO                 | Action  |
|---------------------|---------------------|---|
| B00100 <sub>H</sub> | XXXXXX <sub>H</sub> | Loads data 100 <sub>H</sub> into RDAC1 register, Wiper W1 moves to 1/4 full-scale position. |
| 20xxxx <sub>H</sub> | B00100 <sub>H</sub> | Saves copy of RDAC1 register content into corresponding EEMEM1 register.                    |
| B10200 <sub>H</sub> | 20xxxx <sub>H</sub> | Loads 200 <sub>H</sub> data into RDAC2 register, Wiper W2 moves to 1/2 full-scale position. |
| 21xxxx <sub>H</sub> | B10200 <sub>H</sub> | Saves copy of RDAC2 register contents into corresponding EEMEM2 register.                   |

At system power ON, the scratch pad register is automatically refreshed with the value previously saved in the corresponding EEMEM register. The factory preset EEMEM value is midscale. During operations, the scratch pad register can also be refreshed with the current contents of the EEMEM registers in three different ways. First, executing instruction 1 retrieves the corresponding EEMEM value. Second, executing instruction 8 resets the EEMEM values of both channels. Finally, pulsing the  $\overline{PR}$  pin also refreshes both EEMEM settings. Operating the hardware control  $\overline{PR}$  function, however, requires a complete pulse signal. When  $\overline{PR}$  goes low, the internal logic sets the wiper at midscale. The EEMEM value will not be loaded until PR returns to high.

### EEMEM Protection

The write-protect ( $\overline{WP}$ ) disables any changes of the scratch pad register contents regardless of the software commands, except that the EEMEM setting can be refreshed and can overwrite the  $\overline{WP}$  by using commands 1, 8, and  $\overline{PR}$  pulse. To disable  $\overline{WP}$ , it is recommended to execute a NOP command before returning  $\overline{WP}$  to logic high.

### Linear Increment and Decrement Commands

The increment and decrement commands (14, 15, 6, 7) are useful for linear step adjustment applications. These commands simplify microcontroller software coding by allowing the controller to just send an increment or decrement command to the device. The adjustment can be individually or gang controlled. For increment command, executing instruction 14 will automatically move the wiper to the next resistance segment position. The master increment instruction 15 will move all resistor wipers up by one position.

### Logarithmic Taper Mode Adjustment ( $\pm 6$ dB/step)

There are four programming instructions which provide the logarithmic taper increment and decrement wiper position control by either individual or gang control. 6 dB increment is activated by instructions 12 and 13 and 6 dB decrement is activated by instructions 4 and 5. For example, starting at zero scale, executing 11 times the increment instruction 12 will move the wiper in 6 dB per step from the 0% of the full-scale  $R_{WB}$  to the full-scale  $R_{WB}$ . The 6 dB increment instruction doubles the value of the RDAC register contents each time the command is executed. When the wiper position is near the maximum setting, the last 6 dB increment instruction will cause the wiper to go to the full-scale 1023-code position. Further 6 dB per increment instruction will no longer change the wiper position beyond its full-scale, Table IV.

6 dB step increment and decrement are achieved by shifting the bit internally to the left and right, respectively. The following information explains the nonideal  $\pm 6$  dB step adjustment at certain



conditions. Table IV illustrates the operation of the shifting function on the individual RDAC register data bits. Each line going down the table represents a successive shift operation. Note that the left shift 12 and 13 commands were modified such that if the data in the RDAC register is equal to zero, and the data is left shifted, the RDAC register is then set to code 1. Similarly, if the data in the RDAC register is greater than or equal to midscale, and the data is left shifted, then the data in the RDAC register is automatically set to full scale. This makes the left shift function as ideal a logarithmic adjustment as possible.

The right shift 4 and 5 commands will be ideal only if the LSB is zero (i.e., ideal logarithmic—no error). If the LSB is a one, then the right shift function generates a linear half LSB error, which translates to a number of bits-dependent logarithmic error as shown in Figure 3. The plot shows the error of the odd numbers of bits for ADN2850.

**Table IV. Detail Left and Right Shift Functions for 6 dB Step Increment and Decrement**

|                                    | Left Shift   | Right Shift  |                                     |
|------------------------------------|--------------|--------------|-------------------------------------|
| ↓<br>Left Shift<br>+6 dB/step<br>↓ | 00 0000 0000 | 11 1111 1111 | ↓<br>Right Shift<br>-6 dB/step<br>↓ |
|                                    | 00 0000 0001 | 01 1111 1111 |                                     |
|                                    | 00 0000 0010 | 00 1111 1111 |                                     |
|                                    | 00 0000 0100 | 00 0111 1111 |                                     |
|                                    | 00 0000 1000 | 00 0011 1111 |                                     |
|                                    | 00 0001 0000 | 00 0001 1111 |                                     |
|                                    | 00 0010 0000 | 00 0000 1111 |                                     |
|                                    | 00 0100 0000 | 00 0000 0111 |                                     |
|                                    | 00 1000 0000 | 00 0000 0011 |                                     |
|                                    | 01 0000 0000 | 00 0000 0001 |                                     |
|                                    | 10 0000 0000 | 00 0000 0000 |                                     |
|                                    | 11 1111 1111 | 00 0000 0000 |                                     |
|                                    | 11 1111 1111 | 00 0000 0000 |                                     |

Actual conformance to a logarithmic curve between the data contents in the RDAC register and the wiper position for each right shift 4 and 5 command execution contains an error only for odd numbers of bits. Even numbers of bits are ideal. The graph in Figure 3 shows plots of Log\_Error [i.e.,  $20 \times \log_{10}(\text{error/code})$ ] ADN2850. For example, code 3 Log\_Error =  $20 \times \log_{10}(0.5/3) = -15.56$  dB, which is the worst case. The plot of Log\_Error is more significant at the lower codes.

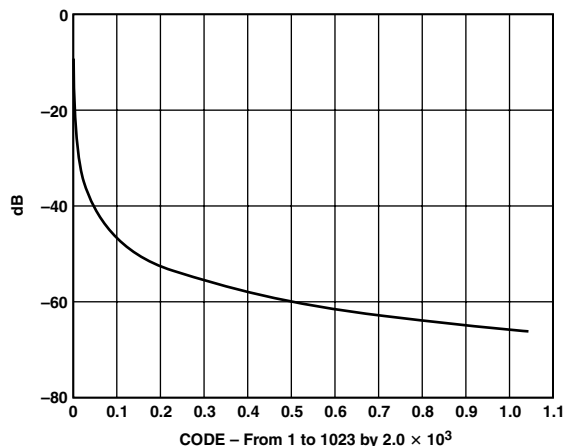


Figure 3. Plot of Log\_Error Conformance for Odd Numbers of Bits Only (Even Numbers of Bits Are Ideal)

**Using Additional Internal Nonvolatile EEMEM**

The ADN2850 contains additional internal user storage registers (EEMEM) for saving constants and other 16-bit data. Table V provides an address map of the internal storage registers shown in the functional block diagram as EEMEM1, EEMEM2, and and 26 bytes (13 addresses  $\times$  2 bytes each) of USER EEMEM.

**Table V. EEMEM Address Map**

| EEMEM Number | Address | EEMEM Content For        |
|--------------|---------|--------------------------|
| 1            | 0000    | RDAC1 <sup>1,2</sup>     |
| 2            | 0001    | RDAC2                    |
| 3            | 0010    | USER1 <sup>3</sup>       |
| 4            | 0011    | USER2                    |
| :            | :       | :                        |
| 15           | 1110    | USER13                   |
| 16           | 1111    | % Tolerance <sup>4</sup> |

NOTES

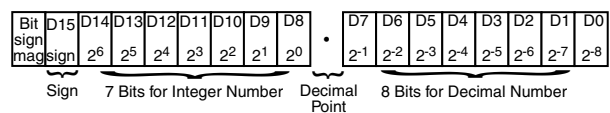
- <sup>1</sup>RDAC data stored in EEMEM locations are transferred to their corresponding RDAC REGISTER at power-on, or when instructions 1, 8, and PR are executed.
- <sup>2</sup>Execution of instruction 1 leaves the device in the read mode power consumption state. After the last instruction 1 is executed, the user should perform a NOP, instruction 0 to return the device to the low power idling state.
- <sup>3</sup>USER <data> are internal nonvolatile EEMEM registers available to store and retrieve constants and other 16-bit information using instructions 3 and 9 respectively.
- <sup>4</sup>Read only.

**Calculating Actual Full-Scale Resistance**

The actual tolerance of the rated full-scale resistance  $R_{WB1}$  is stored in EEMEM register 15 during factory testing. The actual full-scale resistance can therefore be calculated, which will be valuable for tolerance matching or calibration. Notice this value is read only, and the full-scale resistance of  $R_{WB2\_FS}$  matches  $R_{WB1\_FS}$ , of typically 0.1%.

The tolerance in % is stored in the last 16 bits of data in EEMEM register 15. The format is sign magnitude binary format with the MSB designates for sign (0 = positive and 1 = negative), the next 7 MSB designate for the integer number, and the 8 LSB designate for the decimal number. See Table VI.

**Table VI. Tolerance in % from Rated Full-Scale Resistance**



For example, if  $R_{WB\_FS\_RATED} = 250$  kΩ and the data is 0001 1100 0000 1111,  $R_{WB\_FS\_ACTUAL}$  can be calculated as follows:

- MSB: 0 = Positive
- Next 7 MSB: 001 1100 = 28
- 8 LSB: 0000 1111 =  $15 \times 2^{-8} = 0.06$
- % Tolerance = +28.06%
- Thus,  $R_{WB\_FS\_ACTUAL} = 320.15$  kΩ

# ADN2850

## Daisy-Chain Operation

The serial data output pin (SDO) serves two purposes. It can be used to read out the contents of the wiper settings or EEMEM values using instructions 10 and 9 respectively. If these instructions are not used, SDO can be used for daisy-chaining multiple devices in simultaneous operations (see Figure 4). The SDO pin contains an open-drain N-Ch FET and requires a pull-up resistor if SDO function is used. Users need to tie the SDO pin of one package to the SDI pin of the next package. Users may need to increase the clock period because the pull-up resistor and the capacitive loading at the SDO-SDI interface may induce time delay to the subsequent devices (see Figure 4). If two ADN2850s are daisy-chained, a total 48 bits of data is required. The first 24 bits (formatted 4-bit instruction, 4-bit address, and 16-bit data) go to U2 and the second 24 bits with the same format go to U1. The  $\overline{CS}$  should be kept low until all 48 bits are clocked into their respective serial registers. The  $\overline{CS}$  is then pulled high to complete the operation.

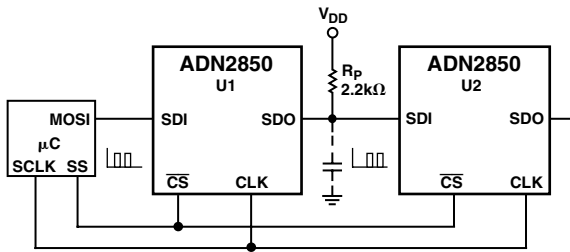


Figure 4. Daisy-Chain Configuration

## DIGITAL INPUT/OUTPUT CONFIGURATION

All digital inputs are ESD protected. Digital inputs are high impedance and can be driven directly from most digital sources. Active at logic low,  $\overline{PR}$  and  $\overline{WP}$  should be biased to  $V_{DD}$  if they are not used. There are no internal pull-up resistors present on any digital input pins. To avoid floating digital pins that may cause false triggering in a noisy environment, pull-up resistors should be added to these pins. However, this only applies to the case where the device will be detached from the driving source once it is programmed.

The SDO and RDY pins are open-drain digital outputs. Similarly, pull-up resistors are needed if these functions are used. To optimize the speed and power trade-off, use 2.2 kΩ pull-up resistors.

The equivalent serial data input and output logic is shown in Figure 5. The open-drain output SDO is disabled whenever chip select  $\overline{CS}$  is logic high. ESD protection of the digital inputs is shown in Figures 6a and 6b.

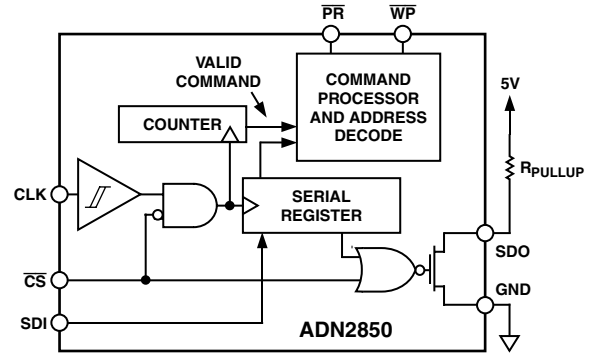


Figure 5. Equivalent Digital Input-Output Logic

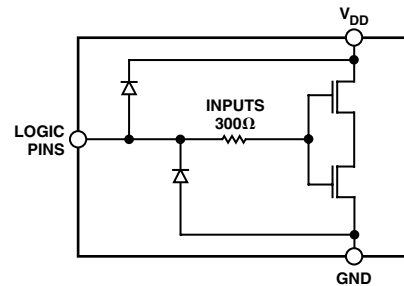


Figure 6a. Equivalent ESD Digital Input Protection

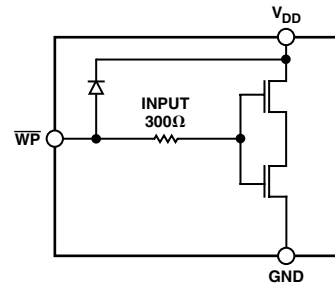


Figure 6b. Equivalent  $\overline{WP}$  Input Protection

## SERIAL DATA INTERFACE

The ADN2850 contains a 4-wire, SPI compatible, digital interface (SDI, SDO,  $\overline{CS}$ , and CLK). The 24-bit serial word must be loaded with MSB first, and the format of the word is shown in Table I. The Command Bits (C0 to C3) control the operation of the programmable resistor according to the instruction shown in Table II. A0 to A3 are assigned for address bits. A0 is used to address RDAC1 or RDAC2. Addresses 2 to 14 are accessible by users. Address 15 is reserved for the factory. Table V provides an address map of the EEMEM locations. The data bits (D0 to D9) are the values that are loaded into the RDAC registers at instruction 11. The data bits (D0 to D15) are the values that are loaded into the EEMEM registers at instruction 3.

The last instruction prior to a period of no programming activity should be applied with the No Operation (NOP), instruction 0. It is recommended to do so to ensure minimum power consumption in the internal logic circuitry.

The SPI interface can be used in two slave modes, CPHA = 1, CPOL = 1 and CPHA = 0, CPOL = 0. CPHA and CPOL refer to the control bits that dictate SPI timing in these microconverters and microprocessors: ADuC812/ADuC824, M68HC11, and MC68HC16R1/916R1.

## TERMINAL VOLTAGE OPERATING RANGE

The ADN2850 positive  $V_{DD}$  and negative  $V_{SS}$  power supply defines the boundary conditions for proper two-terminal programmable resistance operation. Supply signals present on terminals W and B that exceed  $V_{DD}$  or  $V_{SS}$  will be clamped by the internal forward biased diodes (see Figure 7).

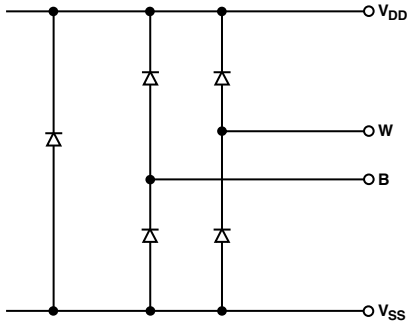


Figure 7. Maximum Terminal Voltages Set by  $V_{DD}$  and  $V_{SS}$

The ground pin of the ADN2850 device is primarily used as a digital ground reference that needs to be tied to the PCB's common ground. The digital input control signals to the ADN2850 must be referenced to the device ground pin (GND), and satisfy the logic level defined in the Specifications table of this data sheet. An internal level shift circuit ensures that the common-mode voltage range of the two terminals extends from  $V_{SS}$  to  $V_{DD}$  regardless of the digital input level. In addition, there is no polarity constraint on voltage across terminals W and B. The magnitude of  $|V_{WB}|$  is bounded by  $V_{DD} - V_{SS}$ .

### Power-Up Sequence

Since diodes limit the voltage compliance at terminals B and W (see Figure 7) it is important to power  $V_{DD}/V_{SS}$  first before applying any voltage to terminals B and W. Otherwise, the diode will be forward biased such that  $V_{DD}/V_{SS}$  will be powered unintentionally. For example, applying 5 V across  $V_{DD}$  will cause the  $V_{DD}$  terminal to exhibit 4.3 V. Although it is not destructive to the device, it may affect the rest of the user's system. As a result, the ideal power-up sequence is in the following order: GND,  $V_{DD}$ ,  $V_{SS}$ , Digital Inputs, and  $V_{B/W}$ . The order of powering  $V_B$ ,  $V_W$ , and Digital Inputs is not important as long as they are powered after  $V_{DD}/V_{SS}$ .

Regardless of the power-up sequence and the ramp rates of the power supplies, once  $V_{DD}/V_{SS}$  are powered, the power-on reset remains effective, which retrieves EEMEM saved values to the RDAC registers (see TPC 7).

### Layout and Power Supply Bypassing

It is a good practice to employ compact, minimum-lead length layout design. The leads to the input should be as direct as possible with a minimum of conductor length. Ground paths should have low resistance and low inductance. To minimize the digital ground bounce, the digital signal ground reference can be joined remotely to the analog ground terminal of the ADN2850.

Similarly, it is also a good practice to bypass the power supplies with quality capacitors for optimum stability. Supply leads to the device should be bypassed with 0.01  $\mu\text{F}$  to 0.1  $\mu\text{F}$  disc or chip ceramics capacitors. Low ESR 1  $\mu\text{F}$  to 10  $\mu\text{F}$  tantalum or electrolytic capacitors should also be applied at the supplies to minimize any transient disturbance (see Figure 8).

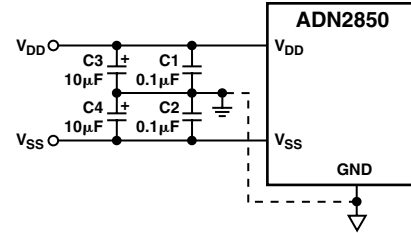


Figure 8. Power Supply Bypassing

## RDAC STRUCTURE

The patent-pending RDAC contains a string of equal resistor segments, with an array of analog switches, that act as the wiper connection. The number of positions is the resolution of the device. The ADN2850 has 1024 connection points, allowing it to provide better than 0.1% setability resolution. Figure 9 shows an equivalent structure of the connections between the two terminals that make up one channel of the RDAC. The  $S_{WB}$  will always be ON, while one of the switches  $SW(0)$  to  $SW(2^N - 1)$  will be ON one at a time depending on the resistance position decoded from the data bits. Since the switch is not ideal, there is a 50  $\Omega$  wiper resistance,  $R_W$ . Wiper resistance is a function of supply voltage and temperature. The lower the supply voltage or the higher the temperature, the higher the resulting wiper resistance. Users should be aware of the wiper resistance dynamics if accurate prediction of the output resistance is needed.

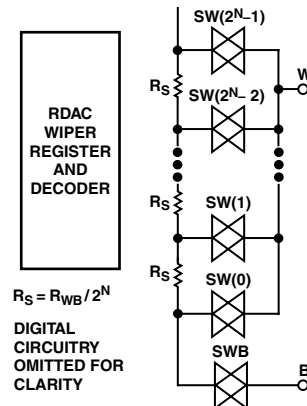


Figure 9. Equivalent RDAC Structure

Table VII. Nominal Individual Segment Resistor Values

| Device Resolution | 25 k $\Omega$ | 250 k $\Omega$ |
|-------------------|---------------|----------------|
| 1024-Step         | 24.4          | 244            |

## CALCULATING THE PROGRAMMABLE RESISTANCE

The nominal full-scale resistance of the RDAC between terminals W and B,  $R_{WB\_FS}$ , is available with 25 k $\Omega$  and 250 k $\Omega$  with 1024 positions (10-bit resolution). The final digits of the part number determine the nominal resistance value, e.g., 25 k $\Omega$  = 25 and 250 k $\Omega$  = 250.

The 10-bit data-word in the RDAC latch is decoded to select one of the 1024 possible settings. The following discussion describes the calculation of resistance  $R_{WB}(D)$  at different codes of a 25 k $\Omega$  part. The wiper's first connection starts at the B terminal for data 000<sub>H</sub>.  $R_{WB}(0)$  is 50  $\Omega$  because of the wiper resistance and it is independent of the full-scale resistance. The second connection is the first tap point where  $R_{WB}(1)$  becomes 24.4  $\Omega$  + 50 = 74.4  $\Omega$

# ADN2850

for data 001<sub>H</sub>. The third connection is the next tap point representing  $R_{WB}(2) = 48.8 + 50 = 98.8 \Omega$  for data 002<sub>H</sub> and so on. Each LSB data value increase moves the wiper up the resistor ladder until the last tap point is reached at  $R_{WB}(1023) = 25026 \Omega$ . See Figure 9 for a simplified diagram of the equivalent RDAC circuit.

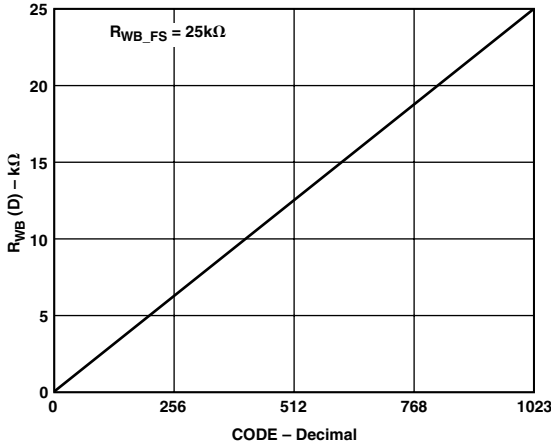


Figure 10.  $R_{WB}(D)$  vs. Code

The general equation that determines the programmed output resistance between W<sub>x</sub> and B<sub>x</sub> is:

$$R_{WB}(D) = \frac{D}{1024} \times R_{WB\_FS} + R_W \quad (1)$$

where D is the decimal equivalent of the data contained in the RDAC register,  $R_{WB\_FS}$  is the full-scale resistance between terminals W and B, and  $R_W$  is the wiper resistance.

For example, the following output resistance values will be set for the following RDAC latch codes with  $V_{DD} = 5 \text{ V}$  (applies to  $R_{WB\_FS} = 25 \text{ k}\Omega$  programmable resistors):

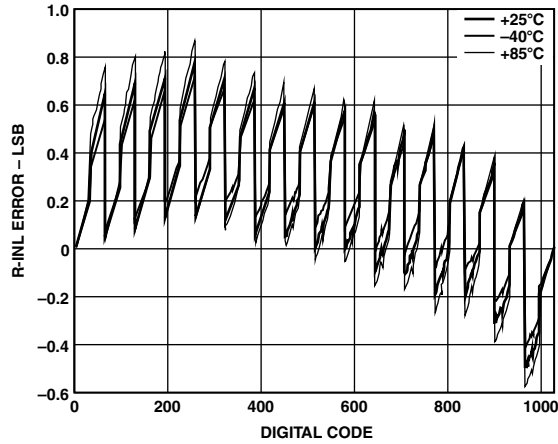
Table VIII.  $R_{WB}$  at Selected Codes ( $R_{WB\_FS} = 25 \text{ k}\Omega$ )

| D (DEC) | $R_{WB}(D)$ (Ω) | Output State                          |
|---------|-----------------|---------------------------------------|
| 1023    | 25026           | Full-Scale                            |
| 512     | 12550           | Mid Scale                             |
| 1       | 74.4            | 1 LSB                                 |
| 0       | 50              | Zero-Scale (Wiper contact resistance) |

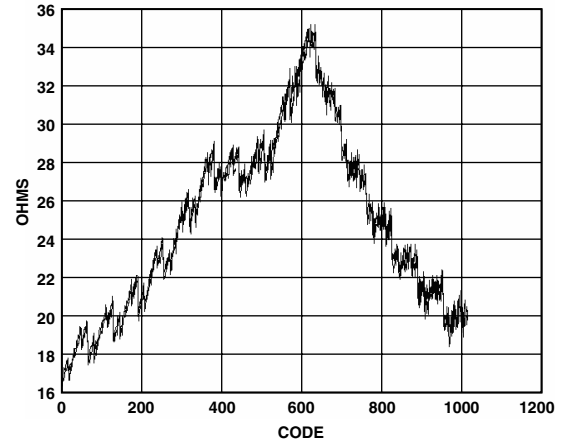
Note that in the zero-scale condition a finite wiper resistance of  $50 \Omega$  is present. In this state, care should be taken to limit the current flow between W and B to no more than 20 mA to avoid degradation or possible destruction of the internal switches.

Channel-to-channel  $R_{WB}$  matching is well within 1% at full-scale. The change in  $R_{WB}$  with temperature has a 35 ppm/°C temperature coefficient.

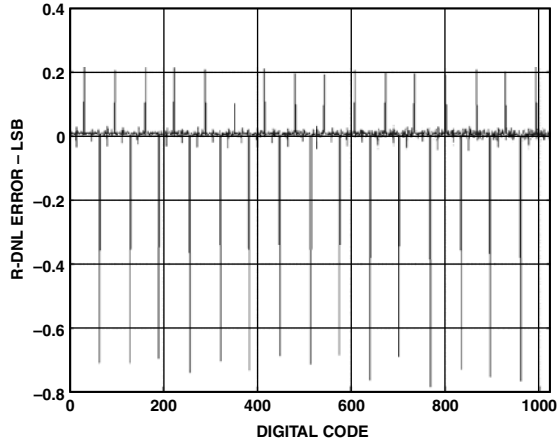
# Typical Performance Characteristics—ADN2850



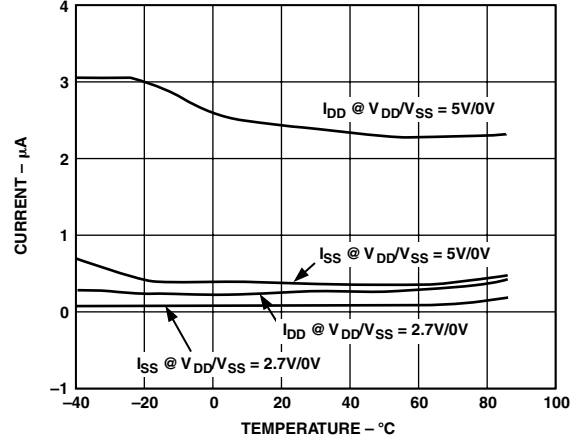
TPC 1. R-INL vs. Code,  $T_A = -40^\circ\text{C}$ ,  $+25^\circ\text{C}$ ,  $+85^\circ\text{C}$  Overlay,  $R_{AB} = 25\text{ k}\Omega$



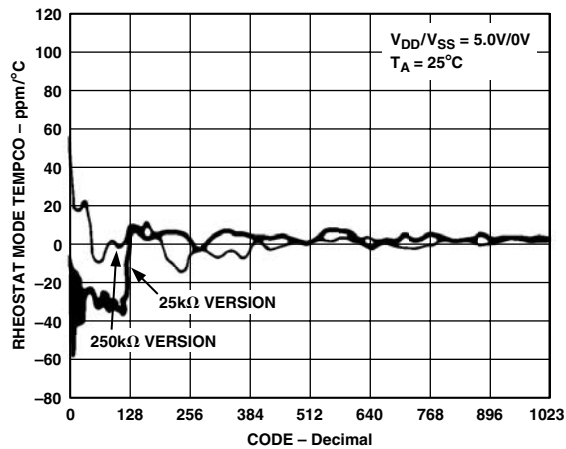
TPC 4. Wiper On-Resistance vs. Code



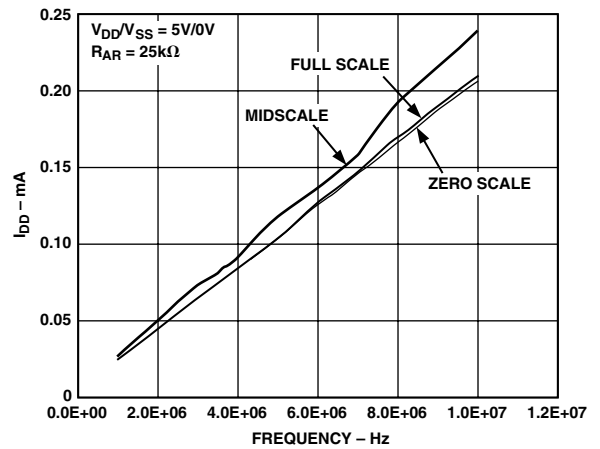
TPC 2. R-DNL vs. Code,  $T_A = -40^\circ\text{C}$ ,  $+25^\circ\text{C}$ ,  $+85^\circ\text{C}$  Overlay,  $R_{AB} = 25\text{ k}\Omega$



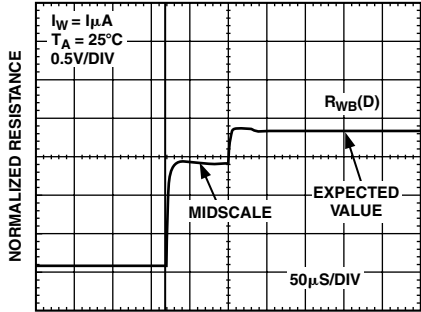
TPC 5.  $I_{DD}$  vs. Temperature,  $R_{AB} = 25\text{ k}\Omega$



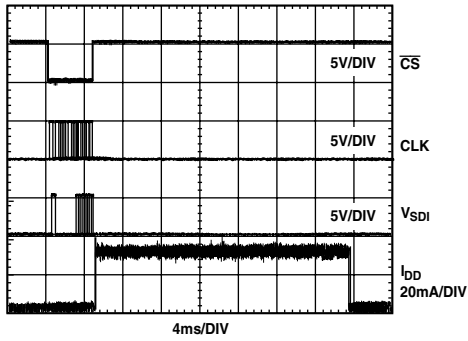
TPC 3.  $\Delta R_{WB}/\Delta T$  Rheostat Mode Tempco



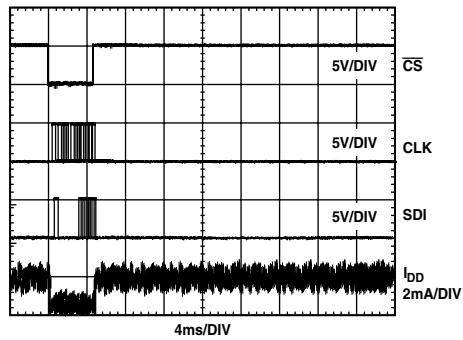
TPC 6.  $I_{DD}$  vs. Clock Frequency,  $R_{AB} = 25\text{ k}\Omega$



TPC 7. Memory Restore During Power-On Reset

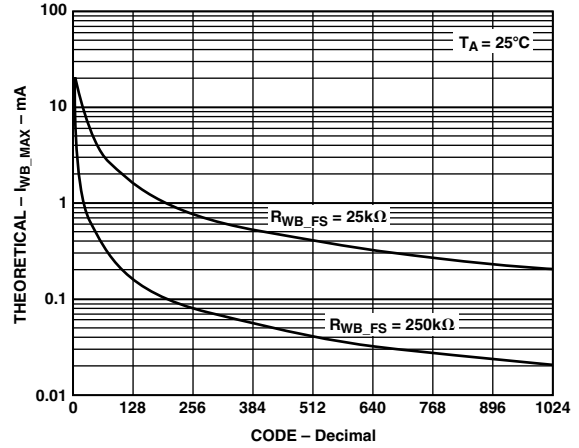


TPC 8.  $I_{DD}$  vs. Time (Save) Program Mode



SUPPLY CURRENT RETURNS TO MINIMUM POWER CONSUMPTION IF INSTRUCTION 0 (NOP) IS EXECUTED IMMEDIATELY AFTER INSTRUCTION 1 (READ EEMEM)

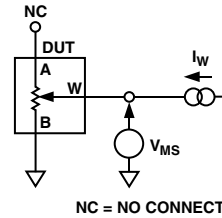
TPC 9.  $I_{DD}$  vs. Time (Read) Program Mode



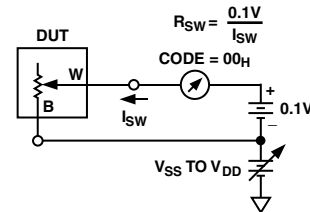
TPC 10.  $I_{WB\_MAX}$  vs. Code

### TEST CIRCUITS

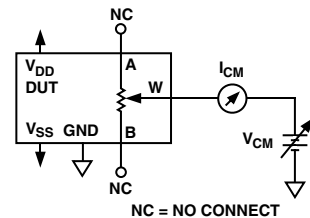
Test Circuits 1 to 3 show some of the test conditions used in the Specifications table.



Test Circuit 1. Resistor Position Nonlinearity Error (Rheostat Operation; R-INL, R-DNL)



Test Circuit 2. Incremental ON Resistance



Test Circuit 3. Common-Mode Leakage Current

## PROGRAMMING EXAMPLES

The following programming examples illustrate the typical sequence of events for various features of the ADN2850. Users should refer to Table II for the instructions and data-word format. The instruction numbers, addresses, and data appearing at SDI and SDO pins are displayed in hexadecimal format in the following examples.

**Table IX. Scratch Pad Programming**

| SDI                 | SDO                 | Action  |
|---------------------|---------------------|---|
| B00100 <sub>H</sub> | XXXXXX <sub>H</sub> | Loads data 100 <sub>H</sub> into RDAC1 register, Wiper W1 moves to 1/4 full-scale position. |
| B10200 <sub>H</sub> | B00100 <sub>H</sub> | Loads data 200 <sub>H</sub> into RDAC2 register, Wiper 2 moves to 1/2 full-scale position.  |

**Table X. Incrementing RDAC Followed by Storing the Wiper Setting to EEMEM**

| SDI  | SDO  | Action  |
|--|--|---|
| B00100 <sub>H</sub>                        | XXXXXX <sub>H</sub>                        | Loads data 100 <sub>H</sub> into RDAC1 register, Wiper W1 moves to 1/4 full-scale position.   |
| E0XXXX <sub>H</sub><br>E0XXXX <sub>H</sub> | B00100 <sub>H</sub><br>E0XXXX <sub>H</sub> | Increments RDAC1 register by one to 101 <sub>H</sub> . Increments RDAC1 register by one to 102 <sub>H</sub> .<br><b>Repeat the increment command – (E0XXXX<sub>H</sub>) until desired wiper position is reached</b> |
| 20XXXX <sub>H</sub>                        | XXXXXX <sub>H</sub>                        | Saves RDAC1 data into EEMEM1<br>Optionally tie $\overline{WP}$ to GND to protect EEMEM values   |

**Table XI. Restoring EEMEM Values to RDAC Registers**

EEMEM values for RDACs can be restored by: Power-On, Strobing  $\overline{PR}$  pin or Programming shown below.

| SDI                 | SDO                 | Action  |
|---------------------|---------------------|---|
| 10XXXX <sub>H</sub> | XXXXXX <sub>H</sub> | Restores EEMEM1 value to RDAC1 register.                                  |
| 00XXXX <sub>H</sub> | 100100 <sub>H</sub> | NOP. Recommended step to minimize power consumption.                      |
| 8XXXXX <sub>H</sub> | 00XXXX <sub>H</sub> | Reset EEMEM1 and EEMEM2 values to RDAC1 and RDAC2 registers respectively. |

**Table XII. Using Left Shift by One to Increment 6 dB Steps**

| SDI                 | SDO                 | Action  |
|---------------------|---------------------|---|
| C0XXXX <sub>H</sub> | XXXXXX <sub>H</sub> | Moves wiper 1 to double the present data contained in RDAC1 register. |
| C1XXXX <sub>H</sub> | C0XXXX <sub>H</sub> | Moves wiper 2 to double the present data contained in RDAC2 register. |

**Table XIII. Storing Additional User Data in EEMEM**

| SDI                 | SDO                 | Action  |
|---------------------|---------------------|---|
| 32AAAA <sub>H</sub> | XXXXXX <sub>H</sub> | Stores data AAAA <sub>H</sub> into spare EEMEM location USER1. (Allowable to address in 13 locations with maximum 16 bits of data). |
| 335555 <sub>H</sub> | 32AAAA <sub>H</sub> | Stores data 5555 <sub>H</sub> into spare EEMEM location USER2. (Allowable to address in 13 locations with maximum 16 bits of data). |

**Table XIV. Reading Back Data From Various Memory Locations**

| SDI                 | SDO                 | Action  |
|---------------------|---------------------|---|
| 92XXXX <sub>H</sub> | XXXXXX <sub>H</sub> | Prepares data read from USER1 location.   |
| 00XXXX <sub>H</sub> | 92AAAA <sub>H</sub> | NOP instruction 0 sends 24-bit word out of SDO where the last 16 bits contain the contents of USER1 location. NOP command ensures device returns to idle power dissipation state. |

**Table XV. Reading Back Wiper Setting**

| SDI  | SDO  | Action  |
|--|--|---|
| B00200 <sub>H</sub><br>C0XXXX <sub>H</sub> | XXXXXX <sub>H</sub><br>B00200 <sub>H</sub> | Sets RDAC1 to midscale.<br>Doubles RDAC1 from midscale to full-scale.                                 |
| A0XXXX <sub>H</sub><br>XXXXXX <sub>H</sub> | C0XXXX <sub>H</sub><br>A003FF <sub>H</sub> | Prepares reading wiper setting from RDAC1 register.<br>Readback full-scale value from RDAC1 register. |

Analog Devices offers a user-friendly ADN2850EVAL evaluation kit that can be controlled by a personal computer through the printer port. The driving program is self-contained, so no programming languages or skills are needed.

# ADN2850

## APPLICATIONS

### Optical Transmitter Calibration with ADN2841

Together with the multirate 2.7 Gbps Laser Diode Driver ADN2841, the ADN2850 forms an optical supervisory system where the dual programmable resistors are used to set the laser average optical power and extinction ratio (see Figure 11). The ADN2850 is particularly ideal for the optical parameter settings because of its high resolution, compact footprint, and superior temperature coefficient characteristics.

The ADN2841 is a 2.7 Gbps laser diode driver that uses a unique control algorithm to manage both the laser average power and extinction ratio after the laser initial factory calibration. It stabilizes the laser data transmission by continuously monitoring its optical power, and correcting the variations caused by temperature and the laser degradation over time. In the ADN2841, the  $I_{MPD}$  monitors the laser diode current. Through its dual-loop power and extinction ratio control, calibrated by the ADN2850, the internal driver controls the bias current  $I_{BIAS}$  and consequently the average power. It also regulates the modulation current  $I_{MODP}$  by changing the modulation current linearly with slope efficiency. Any changes in the laser threshold current or slope efficiency are therefore compensated. As a result, this optical supervisory system minimizes the laser characterization efforts and enables designers to apply comparable lasers from multiple sources.

### Incoming Optical Power Monitoring

The ADN2850 comes with a pair of matched diode connected PNPs,  $Q_1$  and  $Q_2$ , that can be used to configure an incoming optical power monitoring function. With a reference current source, an instrumentation amplifier, and a logarithmic amplifier, this feature can be used to monitor the optical power by knowing the dc average photodiode current from the following relationships:

$$V_1 = V_{BE1} = V_T \ln \frac{I_{C1}}{I_{S1}} \quad (2)$$

$$V_2 = V_{BE2} = V_T \ln \frac{I_{C2}}{I_{S2}} \quad (3)$$

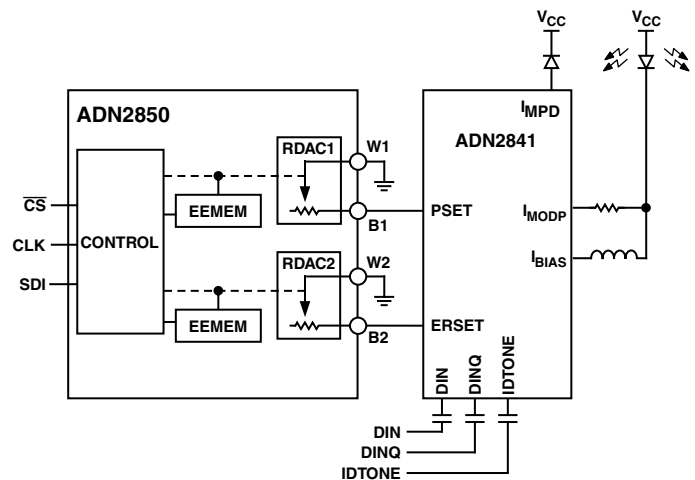


Figure 11. Optical Supervisory System

Knowing  $I_{C1} = a_1 \times I_{PD}$ ,  $I_{C2} = a_2 \times I_{REF}$ , and  $Q_1 - Q_2$  are matched, therefore  $a$  and  $I_S$  are matched. Combining Equations 2 and 3 theoretically yields:

$$V_2 - V_1 = V_T \ln \left( \frac{I_{REF}}{I_{PD}} \right) \quad (4)$$

Where  $I_{S1}$  and  $I_{S2}$  are saturation current

$V_1, V_2$  are  $V_{BE}$ , base-emitted voltages of the diode connector transistors

$V_T$  is the thermal voltage, which is equal to  $k \times T/q$ .

$V_T = 26 \text{ mV}$  at  $25^\circ\text{C}$

$k$  = Boltzmann's constant =  $1.38\text{E}-23$  Joules/Kelvin

$q$  = electron charge =  $1.6\text{E}-19$  coulomb

$T$  = temperature in Kelvin

$I_{PD}$  = photodiode current

$I_{REF}$  = reference current

Figure 12 shows such a conceptual circuit.

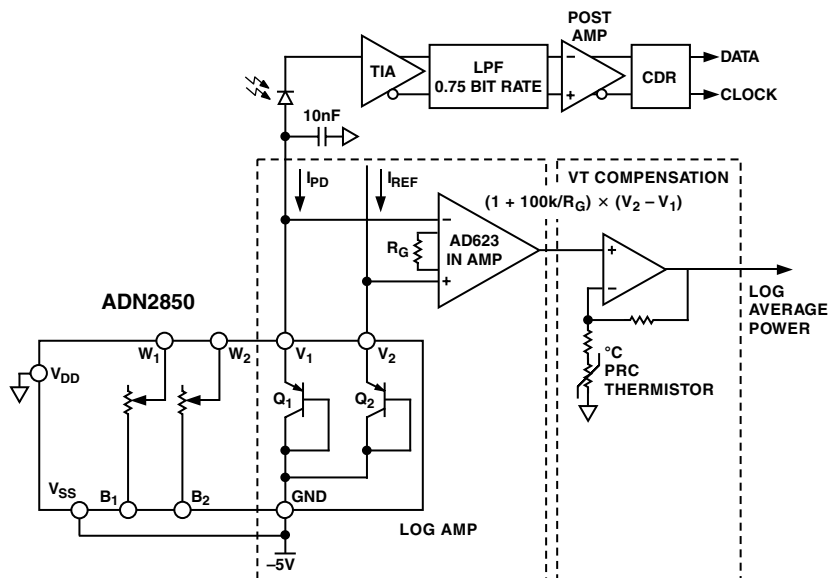


Figure 12. Conceptual Incoming Optical Power Monitoring Circuit



The output voltage represents the average incoming optical power. The output voltage of the log stage does not have to be accurate from device to device, as the responsivity of the photodiode will change between devices. An op amp stage is shown after the log amp stage, which compensates for  $V_T$  variation over temperature.

Equation 4 is ideal. If the reference current is 1 mA at room temperature, characterization shows that there is an additional 30 mV offset between  $V_2$  and  $V_1$ . A curve fit approximation yields

$$V_2 - V_1 = 0.026 \times I_n \left( \frac{0.001}{I_{PD}} \right) + 0.03 \quad (5)$$

Such offset is believed to be caused by the transistors self-heating and the thermal gradient effect. As seen in Figure 13, the error between an approximation and the actual performance ranges is less than 0% to -4% from 0.1 mA to 0.1  $\mu$ A.

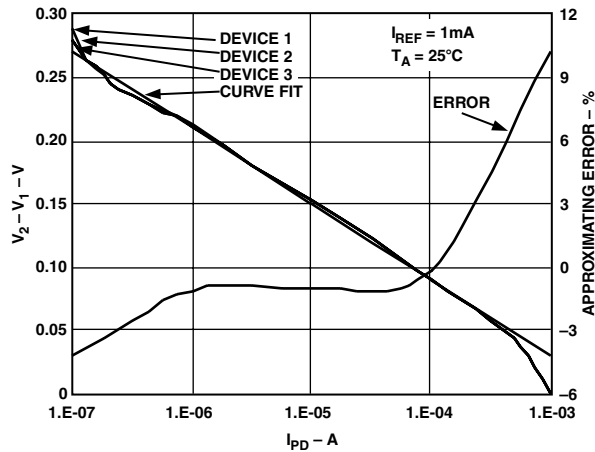


Figure 13. Typical  $V_2 - V_1$  vs.  $I_{PD}$  at  $I_{REF} = 1$  mA and  $T_A = 25^\circ C$

**Resistance Scaling**

The ADN2850 offers either 25 k $\Omega$  or 250 k $\Omega$  full-scale resistance. Users who need lower resistance and still maintain the numbers of step adjustment can parallel two or more devices. Figure 14 shows a simple scheme of paralleling both channels of the programmable resistors. In order to adjust half of the resistance linearly per step, users need to program both devices coherently with the same settings. Note that since the devices will be programmed one after another, an intermediate state will occur, and this method may not be suitable for certain applications.

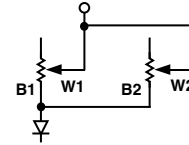


Figure 14. Reduce Resistance by Half with Linear Adjustment Characteristics

Much lower resistance can also be achieved by paralleling a discrete resistor as shown in Figure 15.

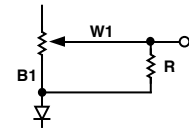


Figure 15. Resistor Scaling with Pseudo-Log Taper Adjustment Characteristics

The equivalent resistance at a given setting is approximated as:

$$R_{eq} = \frac{D \times R_{WB\_FS} + 51200}{D \times R_{WB\_FS} + 51200 + 1024 \times R} \quad (6)$$

In this approach, the adjustment is not linear but pseudo-logarithmic. Users should be aware of the need for tolerance matching as well as temperature coefficient matching of the components.

**BASIC RDAC SPICE MODEL**

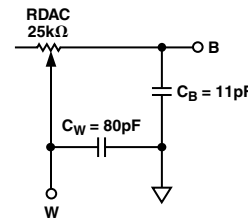


Figure 16. RDAC Circuit Simulation Model (RDAC = 25 k $\Omega$ )

The internal parasitic capacitances and the external capacitive loads dominate the ac characteristics of the RDACs. A general parasitic simulation model is shown in Figure 16.

Listing I provides a macro model net list for the 25 k $\Omega$  RDAC:

**Listing I. Macro Model Net List for RDAC**

```
.PARAM D = 1024, RDAC = 25E3
*
.SUBCKT RDAC (W, B)
*
RWB W B {D/1024 * RDAC + 50}
CW W 0 80E-12
CB B 0 11E-12
*
.ENDS RDAC
```



## Revision History

| Location  | Page |
|---|------|
| <b>9/02—Data sheet changed from REV. A to REV. B.</b>             |      |
| Changes to GENERAL DESCRIPTION .....                              | 1    |
| Changes to ELECTRICAL CHARACTERISTICS .....                       | 2    |
| Changes to Calculating Actual Full-Scale Resistance section ..... | 9    |
| Changes to Table VI .....   | 9    |
| Updated OUTLINE DIMENSIONS .....                                  | 18   |



[\\*\\*\\*\\*](#) | [\\*\\*\\*](#) | [\\*\\*CC\\*\\*](#)[Purchase](#) | [View Cart](#) | [Samples](#) | [Sales & Distributors](#)[Log In](#)

- [Audio Amplifiers](#)
- [Comparators](#)
- [Current Sense Amplifiers](#)
- [Difference Amplifiers](#)
- [Differential Amplifiers](#)
- [Instrumentation Amplifiers](#)
- [Isolation Amplifiers](#)
- [Log Amps/Detectors](#)
- [Operational Amplifiers \(Op Amps\)](#)
- [RF/IF Amplifiers](#)
- [Variable Gain Amplifiers](#)
- [Video Amps/Buffers/Filters](#)
- [Analog Microcontrollers](#)
- [A/D Converters](#)
- [Audio A/D Converters](#)
- [Capacitance to Digital Converters](#)
- [Energy Measurement](#)
- [Isolated A/D Converters](#)
- [Synchro/Resolver to Digital Converters](#)
- [Temperature to Digital Converters](#)
- [Touchscreen Controllers](#)
- [Video Decoders](#)
- [Voltage to Frequency Converters](#)
- [Analog/HDMI/DVI Interfaces](#)
- [Audio A/D Converters](#)
- [Audio Amplifiers](#)
- [Audio CODECs](#)
- [Audio D/A Converters](#)
- [Audio Signal Processors](#)
- [Camera/Camcorder Analog Front Ends](#)
- [Display Driver Electronics](#)
- [iMEMS® Microphone](#)
- [Lens Driver Components](#)
- [Mobile TV Tuners](#)
- [Sample Rate Converters](#)
- [Video Amps/Buffers/Filters](#)
- [Video CODECs](#)
- [Video Compression](#)
- [Video Decoders](#)
- [Video Encoders](#)
- [Broadband Amplifiers](#)
- [Broadband CODECs](#)
- [CATV Amps/Splitters](#)
- [Clock and Data Recovery/Retiming](#)
- [Digital Crosspoint Switches](#)
- [Clock and Data Recovery/Retiming](#)
- [Clock Generation and Distribution](#)
- [PLL Synthesizers/VCOs](#)

- [Audio D/A Converters](#)
- [D/A Converters](#)
- [Digital Potentiometers](#)
- [Video Encoders](#)
- [Blackfin Processors](#)
- [SHARC Processors](#)
- [SigmaDSP Processors](#)
- [TigerSHARC Processors](#)
- [ADSP-21xx Processors](#)
- [Clock and Data Recovery/Retiming](#)
- [Laser Drivers](#)
- [Log/Limiting Amplifiers](#)
- [Transimpedance Amplifiers](#)
- [Digital Isolators](#)
- [Level Translators](#)
- [LVDS](#)
- [Mobile I/O Expander and Keypad Controller](#)
- [RS-232](#)
- [RS-485](#)
- [Low g Accelerometers](#)
- [High g Accelerometers](#)
- [Gyroscopes](#)
- [Inertial Measurement Units \(IMUs\)](#)
- [Microphones](#)
- [Battery Management](#)
- [Digital Power Management](#)
- [Display and Lighting](#)
- [Hot-Swap](#)
- [Linear Regulators](#)
- [MOSFET Drivers](#)
- [Multifunction Power ICs](#)
- [Portable Power Solutions](#)
- [Power Monitors](#)
- [Sequencing](#)
- [Supervisors](#)
- [Switched Capacitor Converters](#)
- [Switching Controllers](#)
- [Switching Regulators](#)
- [Voltage References](#)
- [DDS Modulators](#)
- [Digital Up / Down Converters](#)
- [Direct Digital Synthesis \(DDS\)](#)
- [Log Amps / Detectors](#)
- [Mixers / Multipliers](#)
- [Modulators / Demodulators](#)
- [PLL Synthesizers/VCOs](#)
- [RF / IF Amplifiers](#)
- [RF / IF Transceivers](#)
- [RF Switches](#)
- [RMS Detectors](#)
- [RX / TX Subsystems](#)
- [Short Range Transceivers](#)

- o [Analog Temperature Sensors](#)
- o [Digital Temperature Sensors](#)
- o [Hall Effect Sensors](#)
- o [Inertial Sensors](#)
- o [LVDT Sensor Amplifiers](#)
- o [Analog Crosspoint Switches](#)
- o [Analog Switches](#)
- o [Digital Crosspoint Switches](#)
- o [Multiplexers \(Muxes\)](#)
- o [RF Switches](#)
- o [Analog Temperature Sensors](#)
- o [Digital Temperature Sensors](#)
- o [Temperature Switches](#)
- o [Analog Multipliers/Dividers](#)
- o [Automatic Test Equipment](#)
- o [IOS Subsystems](#)
- o [Matched Transistors](#)
- o [Military/Aerospace](#)
- o [Multi-Chip](#)
- o [RMS to DC Converters](#)
- o [Sample/Track and Hold Amplifiers](#)

## OTHERS WAYS TO FIND PRODUCTS

### Selection Guides

[Product Selection Tables](#)

### Search Features

[Parametric Search](#)

[Cross Reference Search](#)

### Listings

[A-to-Z Category Index](#)

[New Products Listing](#)

- o [Technical Documentation](#)
- o [Training, Tutorials & Seminars](#)
- o [Reference Circuits & Solutions](#)
- o [Evaluation Boards & Kits](#)
- o [Tools, Software & Simulation Models](#)
- o [PCB Design Resources](#)

[Parametric Search](#)

[Cross-Reference Search](#)

[Lead The Way](#)

[Advisor™ Beta](#)



[Print](#) | [Email this page](#) | [Save to myAnalog](#)

[Connect with ADI Specialists](#)

content here.  
content here.

- [ADI Home](#)
- [Digital to Analog Converters](#)
- [Digital Potentiometers](#)
- [ADN2850](#)

## ADN2850: DUAL 10-BIT PROGRAMMABLE NON-VOLATILE RESISTOR

The ADN2850 is a very low tempco, digitally controlled non-volatile resistor that facilitates assembly by replacing discrete resistors currently used to set laser diode driver parameters in fiber optic transmitter modules. The ADN2850's versatile programming via a Micro Controller allows multiple modes of operation and adjustment.

The ADN2850 can be used in all SONET, SDH, ATM and Gigabit ...[More](#)

### ADN2850: Dual 10-Bit Programmable Non-Volatile Resistor

## Product Description

The ADN2850 is a very low tempco, digitally controlled non-volatile resistor that facilitates assembly by replacing discrete resistors currently used to set laser diode driver parameters in fiber optic transmitter modules. The ADN2850's versatile programming via a Micro Controller allows multiple modes of operation and adjustment.

The ADN2850 can be used in all SONET, SDH, ATM and Gigabit Ethernet laser diode driver applications. This device can also be programmed for TEC controller calibration, APD calibration and optical power monitoring.

The ADN2850 operates from either a single power supply from +3 V to +5 V, or a  $\pm 2.5$  V dual supply. It is available in 5mm x 5mm LFCSP-16 Lead Frame Chip Scale and thin TSSOP-16 packages.

## DATA SHEET



[Download Data Sheet Rev B, 09/2002 \(pdf 473kB\) \(About Data Sheets\)](#)

- [Get Samples and Pricing](#)
- [Read Quality and Reliability Info](#)
- [View Lead\(Pb\)-Free Data](#)

## RESOURCES & TOOLS

What is your task? Try [Lead the Way Advisor™](#) BETA





## TECHNICAL DOCUMENTATION

- [Analog Dialogue](#)
- [Application Notes](#)
- [FAQs](#)
- [Overview](#)
- [Rarely Asked Questions](#)
- [Solutions Bulletins](#)



## TRAINING, TUTORIALS & SEMINARS

- [Webcasts](#)



## EVALUATION BOARDS & DEVELOPMENT KITS

- [Evaluation Boards/Tools](#)

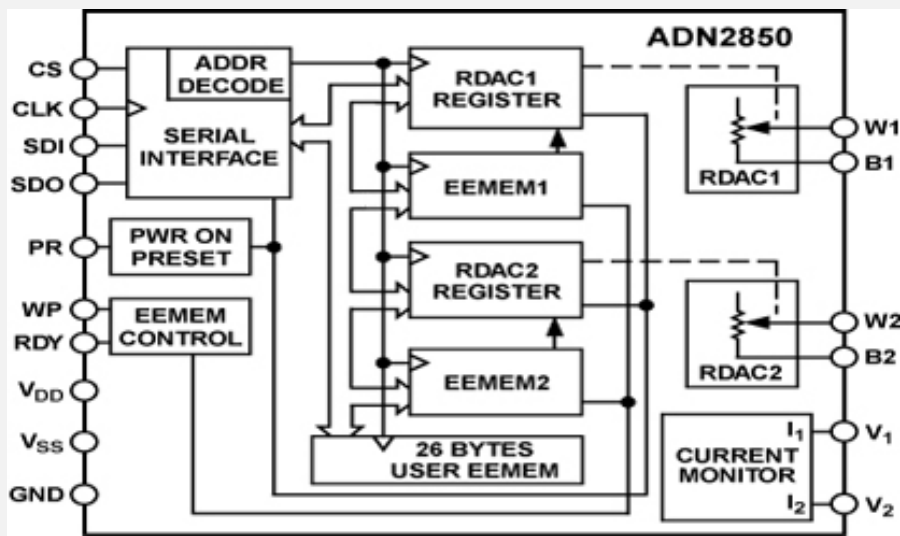
Features

See Specifications

- **10-bit Resolution**
- **25  $\Omega$ , 250  $\Omega$  Terminal Resistance**
- **Programmable Laser Calibration**
- **3 V to 5 V Single,  $\pm 2.5$  V Dual Supply Operation**
- **Nonvolatile memory for set-point storage and additional factory data**

- **# Channels: 2**
- **# Positions: 1024**
- **Memory Type: Non-Volatile**
- **Interface: SPI**
- **Resistor Values (kOhms): 25, 250**
- **Bipolar Voltage Range (V):  $\pm 3$ V**
- **Voltage Range (V): +5.5V**
- **Supply Current : 3.5 $\mu$ A**
- **Temp. Range -40  $^{\circ}$ C to...: 85Deg**
- **Absolute Tempco (ppm/ $^{\circ}$ C): 35ppm/C**
- **Package: LFCSP**

## Functional Block Diagram for ADN2850



Functional Block Diagram for ADN2850

[Symbols and Footprints](#)

## OF NOTE ...

For the opportunity to sample the ADN2850, please contact the [High Speed Networking Group](#) and include your name, title, company and a description of your application.

## Similar Products:

[View Interactive Product Selection Table](#)

## Pricing, Packaging & Availability

[Print Table](#)

ADN2850 Model Options

| Model              | Status | Package                             | Pins | Temp. Range | Price* (100-499) | Price* (1000 pcs.) | Production** Availability | ROHS Compliant | View PCN                             | Samples Cart             | Purchase Cart               |                             |
|--------------------|--------|-------------------------------------|------|-------------|------------------|--------------------|---------------------------|----------------|--------------------------------------|--------------------------|-----------------------------|-----------------------------|
| ADN2850BCPZ25      | Prodn  | <a href="#">16 Id LFCSP (5x5mm)</a> | 16   | Ind         | \$3.91           | \$3.52             | 02/12/2010                | Y              | <a href="#">Material Declaration</a> | <a href="#">View PCN</a> | <a href="#">Add To Cart</a> | <a href="#">Add To Cart</a> |
| ADN2850BCPZ25-RL7  | Prodn  | <a href="#">16 Id LFCSP (5x5mm)</a> | 16   | Ind         | -                | \$3.52             | 02/12/2010                | Y              | <a href="#">Material Declaration</a> | <a href="#">View PCN</a> | <a href="#">Contact ADI</a> | <a href="#">Add To Cart</a> |
| ADN2850BCPZ250     | Prodn  | <a href="#">16 Id LFCSP (5x5mm)</a> | 16   | Ind         | \$3.91           | \$3.52             | 03/19/2010                | Y              | <a href="#">Material Declaration</a> | <a href="#">View PCN</a> | <a href="#">Add To Cart</a> | <a href="#">Add To Cart</a> |
| ADN2850BCPZ250-RL7 | Prodn  | <a href="#">16 Id LFCSP (5x5mm)</a> | 16   | Ind         | -                | \$3.52             | -                         | Y              | <a href="#">Material Declaration</a> | -                        | <a href="#">Contact ADI</a> | <a href="#">Add To Cart</a> |
| ADN2850BRUZ25      | Prodn  | <a href="#">16 Id TSSOP</a>         | 16   | Ind         | -                | -                  | 02/12/2010                | Y              | <a href="#">Material Declaration</a> | -                        | <a href="#">Contact ADI</a> | <a href="#">Contact ADI</a> |
| ADN2850BRUZ25-RL7  | Prodn  | <a href="#">16 Id TSSOP</a>         | 16   | Ind         | -                | -                  | 04/02/2010                | Y              | <a href="#">Material Declaration</a> | -                        | <a href="#">Contact ADI</a> | <a href="#">Contact ADI</a> |
| EVAL-ADN2850-25EBZ | Prodn  | EVALUATION BOARDS                   | -    | TBD         | \$101.20         | \$101.20           | 02/12/2010                | Y              | -                                    | -                        | <a href="#">Contact ADI</a> | <a href="#">Add To Cart</a> |

[back to top](#)

# Help

Close

## Model

The model number is a specific version of a generic that can be purchased or sampled.

## Status

Status indicates the current lifecycle of the product. This can be one of 4 stages:

- Pre-Release: The model has not been released to general production, but samples may be available.
- Production: The model is currently being produced, and generally available for purchase and sampling.
- Last Time Buy: The model has been scheduled for obsolescence, but may still be purchased for a limited time.
- Obsolete: The specific part is obsolete and no longer available. Other models listed in the table may still be available (if they have a status that is not obsolete).

## Package Description

The package for this IC (i.e. DIP, SOIC, BGA). An Evaluation Board is a board engineered to show the performance of the model, the part is included on the board.

For detailed drawings and chemical composition please consult our [Package Site](#)

## Pin Count

Pin Count is the number of pins, balls, or pads on the device. Pin-out diagrams & pin function descriptions may be found in the datasheet.

## Temperature Range

This is the acceptable operating range of the device. The various ranges specified are as follows:

- Commercial: 0 to +70 degrees Celsius
- Military : -55 to +125 degrees Celsius
- Industrial: Temperature ranges may vary by model. Please consult the datasheet for more information.
- Automotive: -40 to +125 degrees Celsius

## Price

The USA list pricing shown is for BUDGETARY USE ONLY, shown in United States dollars (FOB USA per unit for the stated volume), and is subject to change. International prices may differ due to local duties, taxes, fees and exchange rates. For volume-specific price or delivery quotes, please contact your local Analog Devices, Inc. sales office or authorized distributor. Pricing displayed for Evaluation Boards and Kits is based on 1-piece pricing.

## Production Availability

This is the date Analog Devices, Inc. anticipates that the product will ship from the warehouse. Most orders ship within 48 hours of this date. Once an order has been placed, Analog Devices, Inc. will send an Order Acknowledgement email to confirm your delivery date. It is important to note the scheduled dock date on the order entry screen. We do take orders for items that are not in stock, so delivery may be scheduled at a future date. Also, please note the warehouse location for the product ordered. We have warehouses in the United States, Europe and Southeast Asia. Transit times from these sites may vary.

Sample availability may be better than production availability. Please enter samples into your cart to check sample availability.

## RoHS Compliant

Due to environmental concerns, ADI offers many of our products in lead-free versions. For more information about lead-free parts, please consult our [Pb \(Lead\) free information page](#).

## View PCN

This is the list of Product Change Notifications (PCN) published on the web for this model. Click on the link to access PCN Information. Only select pre-2009 PCN's are available on-line. To obtain a pre-2009 PCN, contact your ADI Sales Rep. For more information on ADI's PCN process, please visit our [PCN Policy Statement page](#)

Close

\*The USA list pricing shown is for BUDGETARY USE ONLY, shown in United States dollars (FOB USA per unit for the stated volume), and is subject to change. International prices may differ due to local duties, taxes, fees and exchange rates. For volume-specific price or delivery quotes, please contact your local Analog Devices, Inc. sales office or authorized distributor. Pricing displayed for Evaluation Boards and Kits is based on 1-piece pricing.

\*\*Sample availability may be better than production availability. Please enter samples into your cart to check sample availability.

[View Samples Cart](#)

[View Purchase Cart](#)

[» View Sales and Distribution Offices](#)