

# DALLAS

SEMICONDUCTOR

## DS1666, DS1666S

### Audio Digital Resistor

#### FEATURES

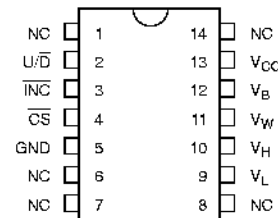
- 128 position, digitally controlled potentiometer
- Operates from a +5 volts power supply with TTL signal inputs
- Wide analog voltage range of  $\pm 5$  volts
- Resistive elements are temperature compensated to  $\pm 20$  percent end to end
- Low-power CMOS
- 14-pin DIP or 16-pin SOIC for surface mount applications
- Default position on power up sets wiper position at 10%
- Operating temperature range
  - $-40^{\circ}\text{C}$  to  $+85^{\circ}\text{C}$ ; industrial

	Resolution/Step		
Resistance values	Low End	High End	-3dB Point
DS1666-10 10K $\Omega$	24 $\Omega$	152 $\Omega$	1.1 MHz
DS1666-50 50K $\Omega$	122 $\Omega$	759 $\Omega$	200 KHz
DS1666-100 100K $\Omega$	243 $\Omega$	1.519K $\Omega$	100 KHz

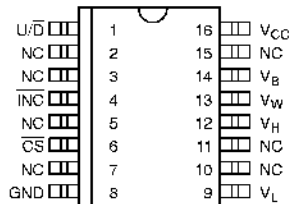
#### DESCRIPTION

The DS1666 is a solid-state potentiometer which is set to value by digitally controlled resistive elements. The potentiometer is composed of 127 resistive sections. Between each resistive section and both ends of the potentiometer are TAP points accessible to the wiper. The position of the wiper on the resistance array is controlled by the  $\overline{\text{CS}}$ ,  $\text{U}/\overline{\text{D}}$  and  $\overline{\text{INC}}$  inputs. The position of the wiper defaults to the 10% position on power up. The resolution of the DS1666 is shown in Figure 1.

#### PIN ASSIGNMENT



14-PIN DIP (300 MIL)  
See Mech. Drawings Section

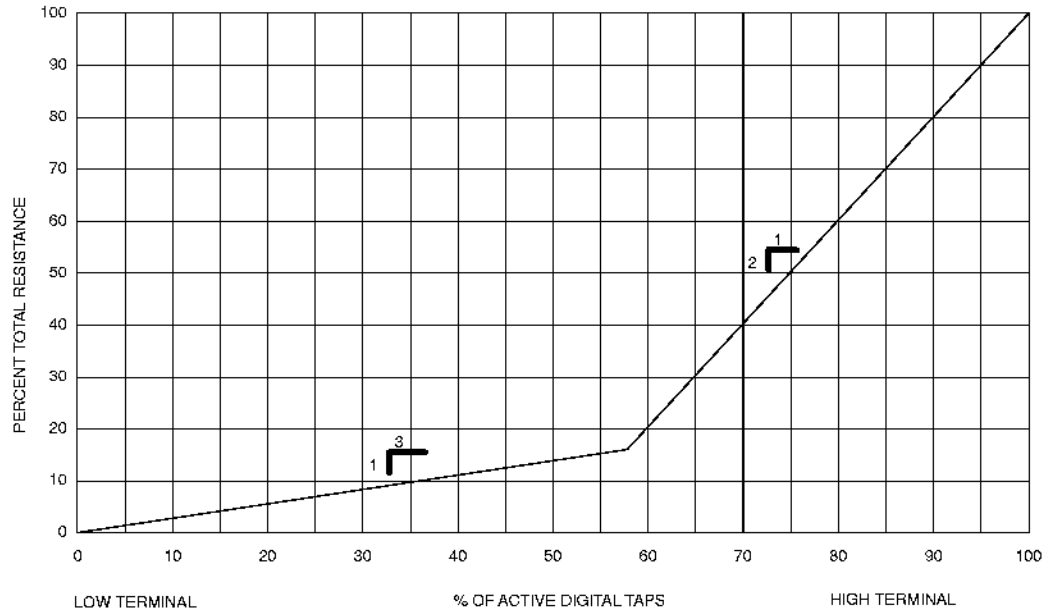


16-PIN SOIC (300 MIL)  
See Mech. Drawings Section

#### PIN DESCRIPTION

$V_H$	– High Terminal of Resistor
$V_L$	– Low Terminal of Resistor
$V_W$	– Wiper Terminal of Resistor
$\text{U}/\overline{\text{D}}$	– Up/Down Control
$\overline{\text{INC}}$	– Wiper Movement Control
$\overline{\text{CS}}$	– Chip Select for Wiper Movement
NC	– No Connection
$V_{CC}$	– +5 Volts
GND	– Ground
$V_B$	– 0 to -5 Volts

The DS1666 Digital Audio Resistor is uniquely designed to provide a potentiometer that is logarithmic rather than linear across its entire range. The lower half of the potentiometer advances 1% of total resistance for each 3% of scale advanced, providing for precise amplification of low volume signals. The upper half of the potentiometer advances 2% of resistance for every 1% of scale advanced, providing for the lower resolution gain required for high volume amplification.

**GRAPH OF AUDIO TAPER** Figure 1**OPERATION**

The  $\overline{CS}$ ,  $U/\overline{D}$  and  $\overline{INC}$  inputs control the position of the wiper along the resistor array (Figure 1). When  $\overline{CS}$  is active (low), a high to low transition on the  $\overline{INC}$  will increment or decrement an internal counter depending on the level of the  $U/\overline{D}$  pin. When the  $U/\overline{D}$  pin is low, the counter will decrement. When the  $U/\overline{D}$  pin is high, the counter will increment. The state of the  $U/\overline{D}$  pin can be changed while  $\overline{CS}$  is active allowing for precise adjustment during calibration. The output of the counter is decoded to set the position of the wiper. When the  $\overline{CS}$  input transitions to the high (inactive) level, the value of the counter is stored and the wiper position is maintained until power ( $V_{CC}$ ) is lost. When power is restored, the DS1666 returns to the default setting and positions the wiper to 10 percent. The value of the end-to-end and end-to-wiper position is indeterminate while  $V_{CC}$  is not applied.

The DS1666 has a resistor array that resembles an audio taper potentiometer as shown in Figure 1.1. Since the taper is not linear, exact resistance values for each of the 128 positions of the resistor is not specified. However, the end-to-end resistance is specified to be within  $\pm 20$  percent of the stated resistor value over an industrial temperature range of  $-40^{\circ}\text{C}$  to  $+85^{\circ}\text{C}$ .

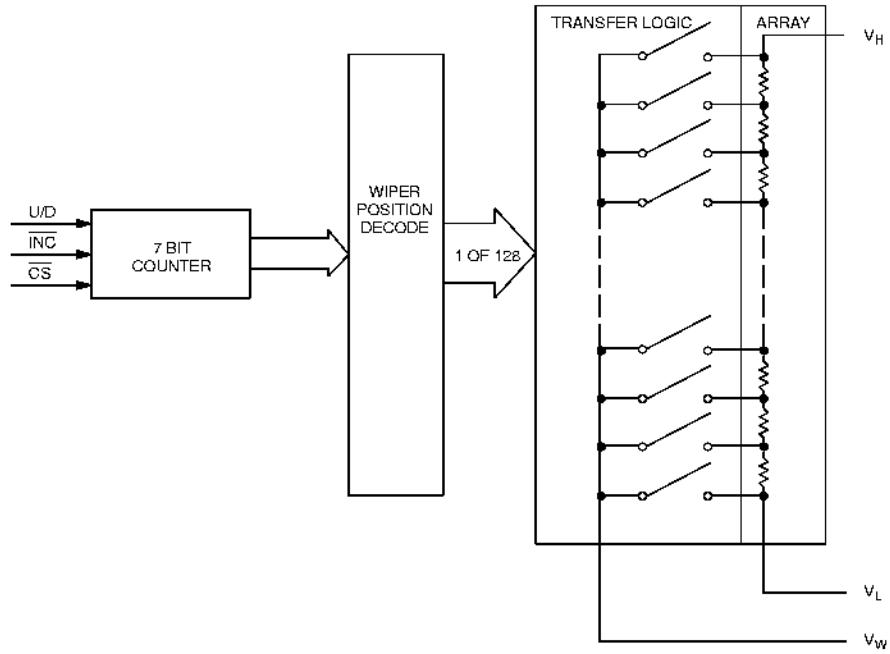
**ANALOG CHARACTERISTICS**

End-to-End Resistance Tolerance =  $\pm 20$  percent  
 Typical Noise =  $< 120$  dB/Hz REF:IV  
 Temperature Coefficient =  $\pm 800$  PPM/ $^{\circ}\text{C}$  typical  
 Resistance at tap #74 =  $18\% \pm 2\%$  of total resistance.

**PIN DESCRIPTIONS**

$V_H$	The high end of the potentiometer. This terminal is capable of handling input voltages between $\pm 5$ volts.
$V_L$	The Low end of the potentiometer. This terminal is capable of handling input voltages between $\pm 5$ volts.
$V_W$	The wiper terminal of the potentiometer. The value of the wiper is controlled by the $U/\overline{D}$ and the $\overline{INC}$ pins.
Up/Down ( $U/\overline{D}$ )	The $U/\overline{D}$ input controls the direction of the wiper movement when setting the potentiometer.
Increment ( $\overline{INC}$ )	Toggling $\overline{INC}$ will move the potentiometer wiper by either incrementing or decrementing the counter.
Chip Select ( $\overline{CS}$ )	The device is selected when $\overline{CS}$ input is low. The current counter value is stored when $\overline{CS}$ is returned high.

**BLOCK DIAGRAM** Figure 2



**MODE SELECTION** Figure 3

$\overline{CS}$	$\overline{INC}$	$\overline{U/D}$	MODE
L		H	WIPER UP
L		L	WIPER DOWN
	H	X	STORE WIPER POSITION

**ABSOLUTE MAXIMUM RATINGS\***

Voltage on $\overline{CS}$ , $\overline{INC}$ , $U/\overline{D}$ , and $V_{CC}$ Relative to Ground	-0.5V to +7.0V
Voltage on $V_H$ , $V_L$ , and $V_W$ Relative to Ground	-6.5V to +6.5V
Voltage on $V_B$	-6.5V to Ground
Operating Temperature	-40°C to +85°C
Storage Temperature	-55°C to +125°C
Soldering Temperature	260°C for 10 seconds

\* This is a stress rating only and functional operation of the device at these or any other conditions above those indicated in the operation sections of this specification is not implied. Exposure to absolute maximum rating conditions for extended periods of time may affect reliability.

**RECOMMENDED DC OPERATING CONDITIONS**

(-40°C to +85°C)

PARAMETER	SYMBOL	MIN	TYP	MAX	UNITS	NOTES
Supply Voltage	$V_{CC}$	+4.5	5.0	5.5	V	1
Input Logic 1	$V_{IH}$	2.0		$V_{CC}+0.5$	V	1
Input Logic 0	$V_{IL}$	-0.5		+0.8	V	1
$V_H$ , $V_L$ , $V_W$ Voltage	$V_R$	$V_B-0.3$		$V_{CC}+0.3$	V	1
$V_B$ Voltage	$V_B$	-5.5		GND	V	1

**DC ELECTRICAL CHARACTERISTICS**(-40°C to +85°C;  $V_{CC} = 5.0V \pm 10\%$ )

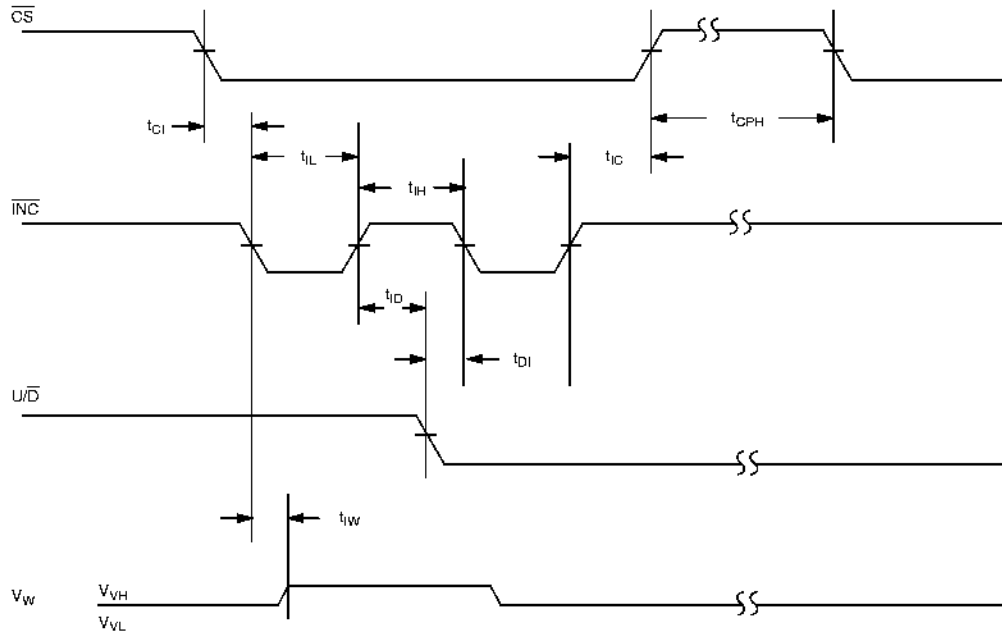
PARAMETER	SYMBOL	MIN	TYP	MAX	UNITS	NOTES
Supply Current	$I_{CC}$		0.1	5	mA	3
Input Leakage	$I_{LI}$	-1		+1	$\mu A$	2
Wiper Resistance	$R_W$		350	650	$\Omega$	
Wiper Current	$I_W$			1	mA	3

**CAPACITANCE**(t<sub>A</sub> = 25°C)

PARAMETER	SYMBOL	CONDITION	TYP	MAX	UNITS	NOTES
Capacitance	$C_{IN}$	t <sub>A</sub> =25°C	6	10	pF	2

**AC ELECTRICAL CHARACTERISTICS** $(t_A = -40^\circ\text{C to } +85^\circ\text{C}; V_{CC} = +5\text{V} \pm 10\%)$ 

PARAMETER	SYMBOL	MIN	TYP	MAX	UNITS	NOTES
$\overline{\text{CS}}$ to $\overline{\text{INC}}$ Setup	$t_{CI}$	100			ns	
$\overline{\text{INC}}$ High to $\text{U}/\overline{\text{D}}$ Change	$t_{ID}$	100			ns	
$\text{U}/\overline{\text{D}}$ to $\overline{\text{INC}}$ Setup	$t_{DI}$	1			$\mu\text{s}$	
$\overline{\text{INC}}$ Low Period	$t_{IL}$	500			ns	
INC High Period	$t_{IH}$	1			$\mu\text{s}$	
$\overline{\text{INC}}$ Inactive to $\overline{\text{CS}}$ Inactive	$t_{IC}$	500			ns	
$\overline{\text{CS}}$ Deselect Time	$t_{CPH}$	100			ns	

**AC TIMING** Figure 4**NOTES:**

1. All voltages are referenced to ground.
2. This parameter is periodically sampled and not 100% tested.
3. Typical values are for  $t_A = 25^\circ\text{C}$  and nominal supply voltages.
4. Wiper output open circuited.

**AC TEST CONDITIONS**

Input Pulse Levels            0V to 3V  
 Input Rise and Fall Times    10 ns  
 Input Level                    1.5V

**DS1666 ORDERING INFORMATION**

<b>ORDERING NUMBER</b>	<b>PACKAGE</b>	<b>OPERATING TEMPERATURE</b>	<b>VERSION</b>
DS1666-010	14L DIP	-40°C TO +85°C	10KΩ
DS1666-050	14L DIP	-40°C TO +85°C	50KΩ
DS1666-100	14L DIP	-40°C TO +85°C	100KΩ
DS1666S-010	16L SOIC (300 MIL)	-40°C TO +85°C	10KΩ
DS1666S-050	16L SOIC (300 MIL)	-40°C TO +85°C	50KΩ
DS1666S-100	16L SOIC (300 MIL)	-40°C TO +85°C	100KΩ



**DATA SHEET REVISION SUMMARY**

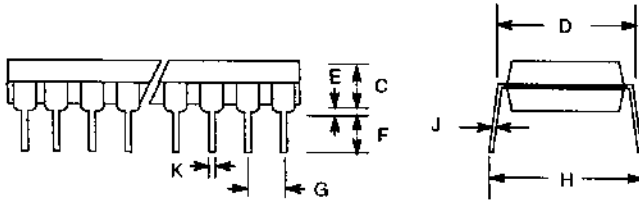
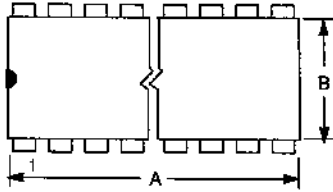
The following represent the key differences between 07/26/93 and 06/18/97 version of the DS1666 data sheet. Please review this summary carefully.

1. Remove commercial temp grade reference
2. Add order info table



**MECHANICAL DRAWINGS**

**8- TO 28-PIN DIP (300 MIL)**



**Includes:**

- |         |          |         |
|---------|----------|---------|
| DS1000  | DS1211   | DS1621  |
| DS1000M | DS1215   | DS1625  |
| DS1003  | DS1221   | DS1632  |
| DS1003M | DS1222   | DS1640  |
| DS1004M | DS1228   | DS1651  |
| DS1005  | DS1229   | DS1652  |
| DS1005M | DS1231   | DS1652B |
| DS1007  | DS1232   | DS1653  |
| DS1010  | DS1232LP | DS1666  |
| DS1012M | DS1234   | DS1667  |
| DS1013  | DS1236   | DS1669  |
| DS1013M | DS1237   | DS1802  |
| DS1020  | DS1238   | DS1830  |
| DS1033M | DS1239   | DS1832  |
| DS1035M | DS1259   | DS1867  |
| DS1040M | DS1267   | DS1868  |
| DS1044  | DS1275   | DS1869  |
| DS1045  | DS1291   | DS2009D |
| DS1200  | DS1293   | DS2010D |
| DS1206  | DS1336   | DS2011D |
| DS1210  | DS1620   | DS2013D |

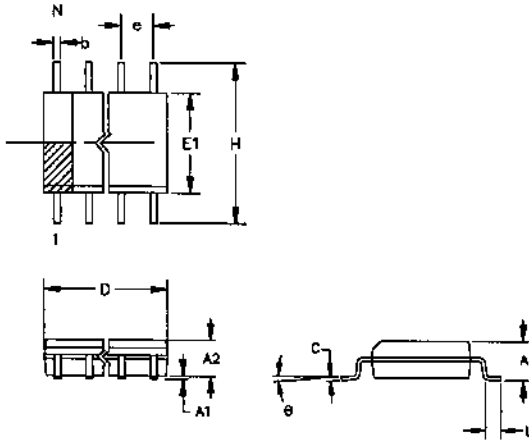
PKG	8-PIN		10-PIN		14-PIN		16-PIN	
	MIN	MAX	MIN	MAX	MIN	MAX	MIN	MAX
A IN.	0.360	0.400	0.480	0.520	0.740	0.780	0.740	0.780
MM	9.14	10.16	12.19	13.21	18.80	19.81	18.80	19.81
B IN.	0.240	0.260	0.240	0.260	0.240	0.260	0.240	0.260
MM	6.10	6.60	6.10	6.60	6.10	6.60	6.10	6.60
C IN.	0.120	0.140	0.120	0.140	0.120	0.140	0.120	0.140
MM	3.05	3.56	3.05	3.56	3.05	3.56	3.05	3.56
D IN.	0.300	0.325	0.300	0.325	0.300	0.325	0.300	0.325
MM	7.62	8.26	7.62	8.26	7.62	8.26	7.62	8.26
E IN.	0.015	0.040	0.015	0.040	0.015	0.040	0.015	0.040
MM	0.38	1.02	0.38	1.02	0.38	1.02	0.38	1.02
F IN.	0.120	0.140	0.110	0.130	0.120	0.140	0.120	0.140
MM	3.04	3.56	2.79	3.30	3.04	3.56	3.04	3.56
G IN.	0.090	0.110	0.090	0.110	0.090	0.110	0.090	0.110
MM	2.29	2.79	2.29	2.79	2.29	2.79	2.29	2.79
H IN.	0.320	0.370	0.320	0.370	0.320	0.370	0.320	0.370
MM	8.13	9.40	8.13	9.40	8.13	9.40	8.13	9.40
J IN.	0.008	0.012	0.008	0.012	0.008	0.012	0.008	0.012
MM	0.20	0.30	0.20	0.30	0.20	0.30	0.20	0.30
K IN.	0.015	0.021	0.015	0.021	0.015	0.021	0.015	0.021
MM	0.38	0.53	0.38	0.53	0.38	0.53	0.38	0.53

Continued on following page.



## MECHANICAL DRAWINGS

### 16-, 20-, 24-, 28-PIN SOIC (300 MIL)



**Includes:**

DS1000S	DS1227S	DS1360S
DS1005S	DS1231S	DS1380S
DS1007S	DS1228S	DS1609S
DS1010S	DS1229S	DS1610S
DS1013S	DS1232S	DS1620
DS1020S	DS1232LPS	DS1632S
DS1021S	DS1234S	DS1640S
DS1045S	DS1236S	DS1653S
DS1200S	DS1237S	DS1710S
DS1205S	DS1238S	DS2107AS
DS1206	DS1239S	DS2107S
DS1209S-B1	DS1259S	DS2175S
DS1210S	DS1267S	DS2186S
DS1211S	DS12885S	DS2187S
DS1215S	DS1336S	DS2188S
DS1221S	DS1359S	
DS1222S		

The chamfer on the body is optional. If it is not present, a terminal 1 identifier must be positioned so that 1/2 or more of its area is contained in the hatched zone.

PKG	16-PIN		20-PIN		24-PIN		28-PIN	
	MIN	MAX	MIN	MAX	MIN	MAX	MIN	MAX
A IN. MM	0.094 2.38	0.105 2.68	0.094 2.38	0.105 2.68	0.094 2.38	0.105 2.68	0.094 2.39	0.105 2.67
A1 IN. MM	0.004 0.102	0.012 0.30	0.004 0.102	0.012 0.30	0.004 0.102	0.012 0.30	0.004 0.102	0.012 0.30
A2 IN. MM	0.089 2.26	0.095 2.41	0.089 2.26	0.095 2.41	0.089 2.26	0.095 2.41	0.089 2.26	0.095 2.41
b IN. MM	0.013 0.33	0.020 0.51	0.013 0.33	0.020 0.51	0.013 0.33	0.020 0.51	0.013 0.33	0.020 0.51
C IN. MM	0.009 0.229	0.013 0.33	0.009 0.229	0.013 0.33	0.009 0.229	0.013 0.33	0.009 0.229	0.013 0.33
D IN. MM	0.398 10.11	0.412 10.46	0.498 12.65	0.511 12.99	0.598 15.19	0.612 15.54	0.698 17.73	0.712 18.08
e IN. MM	0.050 BSC 1.27 BSC						0.050 BSC 1.27 BSC	
E1 IN. MM	0.290 7.37	0.300 7.62	0.290 7.37	0.300 7.62	0.290 7.37	0.300 7.62	0.290 7.37	0.300 7.62
H IN. MM	0.398 10.11	0.416 10.57	0.398 10.11	0.416 10.57	0.398 10.11	0.416 10.57	0.398 10.11	0.416 10.57
L IN. MM	0.016 0.40	0.040 1.02	0.016 0.406	0.040 1.20	0.016 0.40	0.040 1.02	0.016 0.40	0.040 1.02
theta	0°	8°	0°	8°	0°	8°	0°	8°