



IGBT Selection Guide

Common IGBT applications and topologies

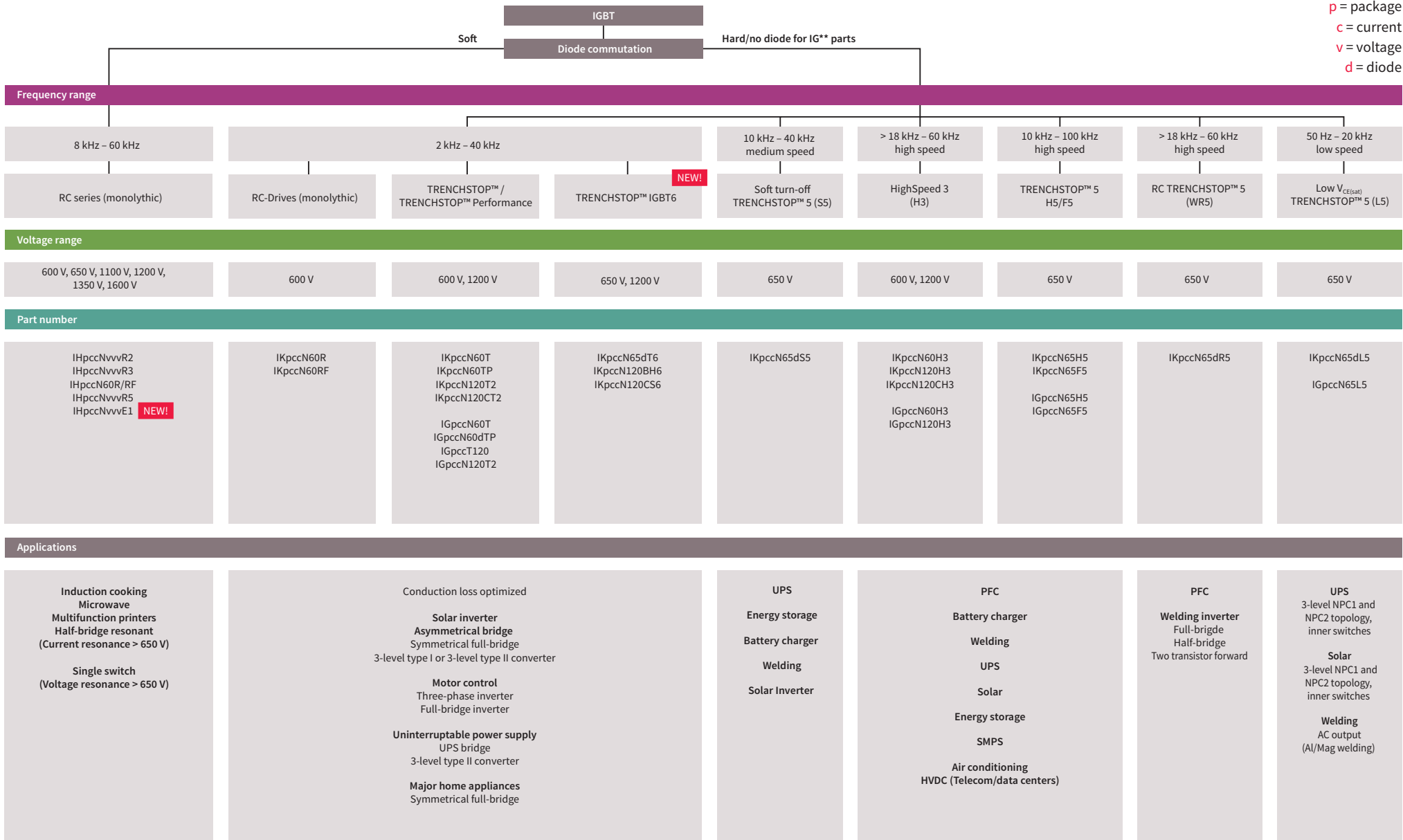


www.infineon.com/igbt



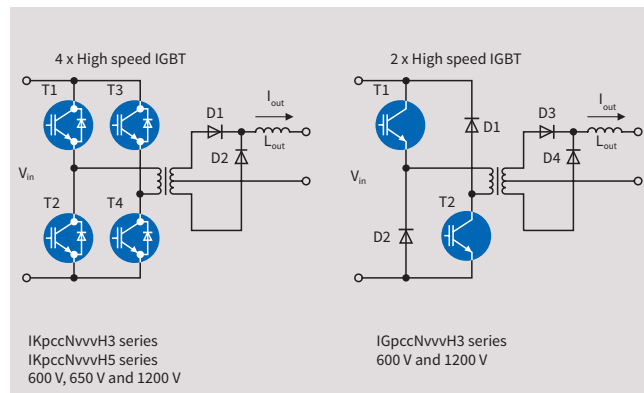
IGBT selection tree

Nomenclature: IGBT
 IKpccNvvvdH3 – IGBT + diode
 IGpccNvvvH3 – Single IGBT
 p = package
 c = current
 v = voltage
 d = diode

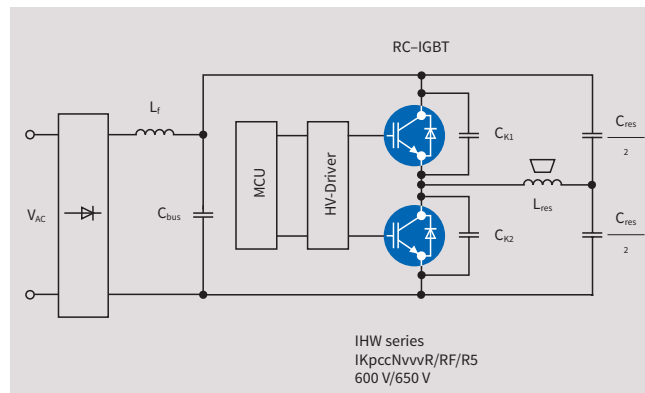


Common IGBT applications and topologies

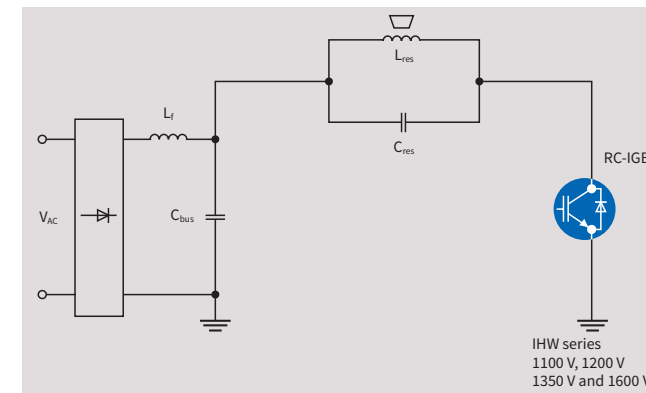
Full-bridge/two transistor forward: welding inverter



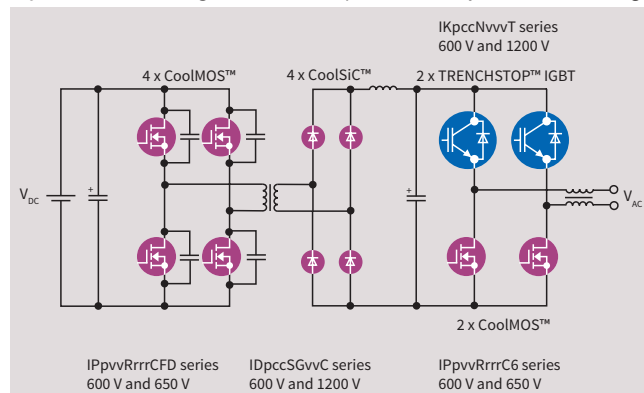
Half-bridge: induction heating inverter (current resonance)



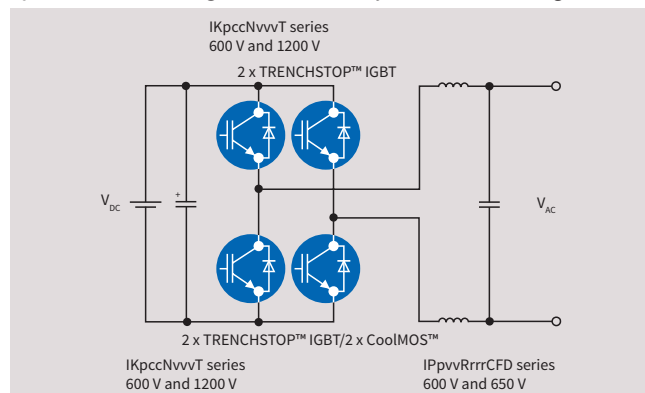
Single switch: induction heating inverter (voltage resonance)



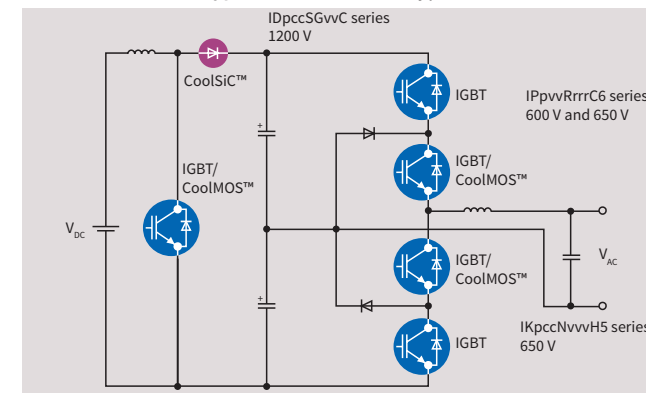
Asymmetrical full-bridge: solar inverter (phase-shift / asymmetrical full-bridge)



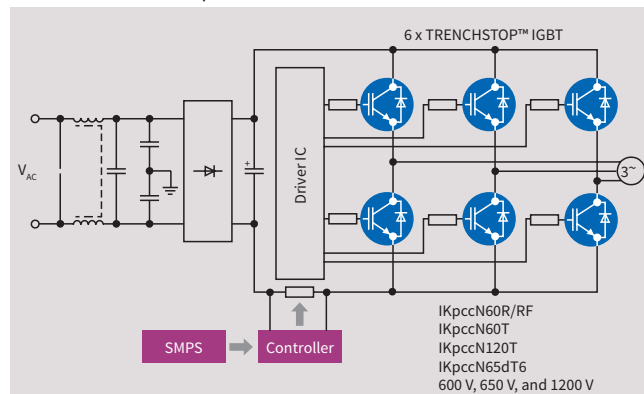
Symmetrical full-bridge: solar inverter (symmetrical full-bridge)



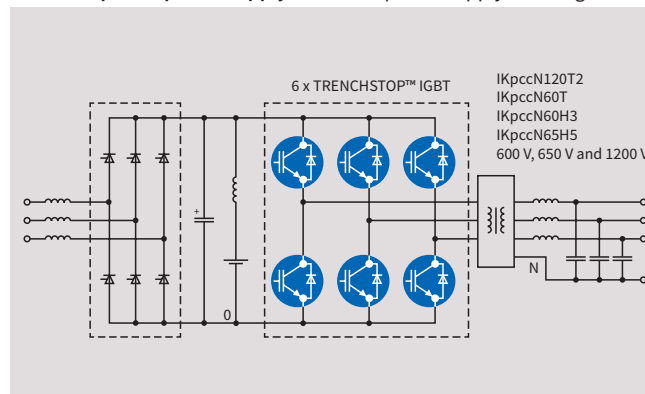
Three level inverter type II: 3-level inverter type II (Solar, UPS)



Motor control: three-phase motor control



Uninterruptable power supply: universal power supply b6-bridge



Nomenclature: IGBT
 IKpccNvvvdH3
 p = package
 c = current
 v = voltage
 d = diode

Nomenclature: MOSFET
 IPpvvRrrrCFD
 p = package
 c = current
 r = resistance

■ IGBT parts
■ Other Infineon parts

www.infineon.com/igbt
www.infineon.com/coolmos
www.infineon.com/sic

Discrete IGBT with anti-parallel diode

Product type	$V_{CE(max)}$ [V]	Diode	Switching frequency [kHz]	Package	Switching Hard/Soft	Series	$I_{C(max)}$ @ 100° [A]	$V_{CE(sat)}$ (typ.) @ 25° [V]	E_{off} (typ.) @ 25° [mJ]	E_{on} (typ.) @ 25° [mJ]	Q_{rr} (typ.) @ 25° [mC]
IKB20N60H3	600	Y	20 – 100	D2PAK (TO-263)	Hard	HighSpeed 3	20	1,95	0,24	0,45	390
IKP20N60H3	600	Y	20 – 100	TO-220	Hard	HighSpeed 3	20	1,95	0,24	0,45	390
IKW20N60H3	600	Y	20 – 100	TO-247	Hard	HighSpeed 3	20	1,95	0,24	0,56	390
IKW30N60H3	600	Y	20 – 100	TO-247	Hard	HighSpeed 3	30	1,95	0,44	0,94	320
IKW40N60H3	600	Y	20 – 100	TO-247	Hard	HighSpeed 3	40	1,95	0,58	1,10	810
IKW50N60H3	600	Y	20 – 100	TO-247	Hard	HighSpeed 3	50	1,85	0,91	1,45	880
IKW60N60H3	600	Y	20 – 100	TO-247	Hard	HighSpeed 3	60	1,85	1,13	2,10	1200
IKW75N60H3	600	Y	20 – 100	TO-247	Hard	HighSpeed 3	75	1,85	1,70	3,00	1800
IKD04N60R	600	Y	2 – 20	DPAK (TO-252)	Hard	RC Drives	4	1,65	0,15	0,09	220
IKD06N60R	600	Y	2 – 20	DPAK (TO-252)	Hard	RC Drives	6	1,65	0,22	0,11	370
IKD10N60R	600	Y	2 – 20	DPAK (TO-252)	Hard	RC Drives	10	1,65	0,38	0,21	560
IKD15N60R	600	Y	2 – 20	DPAK (TO-252)	Hard	RC Drives	15	1,65	0,53	0,37	760
IKD03N60RF	600	Y	4 – 30	DPAK (TO-252)	Hard	RC Drives Fast	2,5	2,20	0,04	0,05	60
IKD04N60RF	600	Y	4 – 30	DPAK (TO-252)	Hard	RC Drives Fast	4	2,20	0,05	0,06	90
IKD06N60RF	600	Y	4 – 30	DPAK (TO-252)	Hard	RC Drives Fast	6	2,20	0,09	0,09	160
IKD10N60RF	600	Y	4 – 30	DPAK (TO-252)	Hard	RC Drives Fast	10	2,20	0,16	0,19	270
IKD15N60RF	600	Y	4 – 30	DPAK (TO-252)	Hard	RC Drives Fast	15	2,20	0,25	0,27	420
IHW40N60R	600	Y	8 – 60	TO-247	Soft	RC Soft Switching	40	1,65	0,75	-	-
IHW40N60RF	600	Y	20 – 100	TO-247	Soft	RC Soft Switching	40	1,85	0,56	-	-
IKB06N60T	600	Y	2 – 20	D2PAK (TO-263)	Hard	TRENCHSTOP™	6	1,50	0,11	0,09	190
IKB10N60T	600	Y	2 – 20	D2PAK (TO-263)	Hard	TRENCHSTOP™	18	1,50	0,27	0,16	380
IKB15N60T	600	Y	2 – 20	D2PAK (TO-263)	Hard	TRENCHSTOP™	23	1,50	0,35	0,22	240
IKB20N60T	600	Y	2 – 20	D2PAK (TO-263)	Hard	TRENCHSTOP™	15	1,50	0,46	0,31	310
IKA06N60T	600	Y	2 – 20	TO-220	Hard	TRENCHSTOP™	6,2	1,50	0,11	0,09	500
IKA10N60T	600	Y	2 – 20	TO-220	Hard	TRENCHSTOP™	7,2	1,50	0,27	0,16	380
IKA15N60T	600	Y	2 – 20	TO-220	Hard	TRENCHSTOP™	8,9	1,50	0,35	0,22	240
IKP04N60T	600	Y	2 – 20	TO-220	Hard	TRENCHSTOP™	4	1,50	0,08	0,06	79
IKP06N60T	600	Y	2 – 20	TO-220	Hard	TRENCHSTOP™	6	1,50	0,11	0,09	190
IKP10N60T	600	Y	2 – 20	TO-220	Hard	TRENCHSTOP™	18	1,50	0,27	0,16	380
IKP15N60T	600	Y	2 – 20	TO-220	Hard	TRENCHSTOP™	23	1,50	0,35	0,22	240
IKP20N60T	600	Y	2 – 20	TO-220	Hard	TRENCHSTOP™	28	1,50	0,46	0,31	310
IKW20N60T	600	Y	2 – 20	TO-247	Hard	TRENCHSTOP™	28	1,50	0,46	0,31	310
IKW30N60T	600	Y	2 – 20	TO-247	Hard	TRENCHSTOP™	39	1,50	1,10	1,00	920
IKW50N60T	600	Y	2 – 20	TO-247	Hard	TRENCHSTOP™	50	1,50	1,40	1,20	1800
IKW75N60T	600	Y	2 – 20	TO-247	Hard	TRENCHSTOP™	75	1,50	2,90	2,90	2400
IKQ100N60T	600	Y	2 – 20	TO-247PLUS-3	Hard	TRENCHSTOP™	100	1,50	2,50	3,10	2800
IKQ120N60T	600	Y	2 – 20	TO-247PLUS-3	Hard	TRENCHSTOP™	120	1,50	5,90	6,20	3400
IKW30N60DTP	600	Y	2 – 30	TO-247	Hard	TRENCHSTOP™ Perf.	38	1,60	0,74	0,99	1230
IKW40N60DTP	600	Y	2 – 30	TO-247	Hard	TRENCHSTOP™ Perf.	48	1,60	1,05	1,63	1520
IKW50N60DTP	600	Y	2 – 30	TO-247	Hard	TRENCHSTOP™ Perf.	61	1,60	1,39	2,25	2150
IKP08N65F5	650	Y	60 – 120	TO-220	Hard	TRENCHSTOP™ 5	11	1,60	0,02	0,07	140
IKP08N65H5	650	Y	30 – 100	TO-220	Hard	TRENCHSTOP™ 5	11	1,65	0,03	0,07	130
IKP15N65F5	650	Y	60 – 120	TO-220	Hard	TRENCHSTOP™ 5	18	1,60	0,04	0,13	190

Product type	$V_{CE(max)}$ [V]	Diode	Switching frequency [kHz]	Package	Switching Hard/Soft	Series	$I_{C(max)}$ @ 100° [A]	$V_{CE(sat)}$ (typ.) @ 25° [V]	E_{off} (typ.) @ 25° [mJ]	E_{on} (typ.) @ 25° [mJ]	Q_{rr} (typ.) @ 25° [mC]
IKP15N65H5	650	Y	30 – 100	TO-220	Hard	TRENCHSTOP™ 5	18	1,65	0,05	0,12	200
IKP20N65F5	650	Y	60 – 120	TO-220	Hard	TRENCHSTOP™ 5	21	1,60	0,06	0,16	280
IKP20N65H5	650	Y	30 – 100	TO-220	Hard	TRENCHSTOP™ 5	21	1,65	0,06	0,17	270
IKP30N65F5	650	Y	60 – 120	TO-220	Hard	TRENCHSTOP™ 5	35	1,60	0,07	0,28	410
IKP30N65H5	650	Y	30 – 100	TO-220	Hard	TRENCHSTOP™ 5	35	1,65	0,10	0,28	410
IKP40N65F5	650	Y	60 – 120	TO-220	Hard	TRENCHSTOP™ 5	46	1,60	0,10	0,36	450
IKP40N65H5	650	Y	30 – 100	TO-220	Hard	TRENCHSTOP™ 5	46	1,65	0,12	0,39	450
IKA08N65F5	650	Y	60 – 120	TO220-3 FP	Hard	TRENCHSTOP™ 5	6,8	1,60	0,02	0,07	140
IKA08N65H5	650	Y	30 – 100	TO220-3 FP	Hard	TRENCHSTOP™ 5	6,8	1,65	0,03	0,07	130
IKA15N65F5	650	Y	60 – 120	TO220-3 FP	Hard	TRENCHSTOP™ 5	8,5	1,60	0,04	0,13	190
IKA15N65H5	650	Y	30 – 100	TO220-3 FP	Hard	TRENCHSTOP™ 5	8,5	1,65	0,05	0,12	200
IHW20N65R5	650	Y	20 – 150	TO-247	Soft	TRENCHSTOP™ 5	20	1,35	0,16	0,54	1550
IHW30N65R5	650	Y	20 – 150	TO-247	Soft	TRENCHSTOP™ 5	30	1,35	0,24	0,85	1900
IHW40N65R5	650	Y	20 – 150	TO-247	Soft	TRENCHSTOP™ 5	40	1,35	0,37	1,10	2750
IHW50N65R5	650	Y	20 – 150	TO-247	Soft	TRENCHSTOP™ 5	50	1,35	0,45	1,50	2750
IKW30N65EL5	650	Y	50 Hz - 20 kHz	TO-247	Hard	TRENCHSTOP™ 5	62	1,05	1,35	0,47	910
IKW30N65H5	650	Y	30 – 100	TO-247	Hard	TRENCHSTOP™ 5	35	1,65	0,10	0,28	410
IKW30N65NL5	650	Y	50 Hz - 20 kHz	TO-247	Hard	TRENCHSTOP™ 5	62	1,05	1,35	0,56	480
IKW30N65WR5	650	Y	20 – 60	TO-247	Hard	TRENCHSTOP™ 5	30	1,40	0,33	0,99	1250
IKW40N65F5	650	Y	60 – 120	TO-247	Hard	TRENCHSTOP™ 5	46	1,60	0,10	0,36	450
IKW40N65H5	650	Y	30 – 100	TO-247	Hard	TRENCHSTOP™ 5	46	1,65	0,12	0,39	450
IKW40N65WR5	650	Y	20 – 60	TO-247	Hard	TRENCHSTOP™ 5	40	1,40	0,42	1,40	1650
IKW50N65EH5	650	Y	30 – 100	TO-247	Hard	TRENCHSTOP™ 5	50	1,65	0,50	1,50	1100
IKW50N65F5	650	Y	60 – 120	TO-247	Hard	TRENCHSTOP™ 5	56	1,60	0,16	0,49	550
IKW50N65H5	650	Y	30 – 100	TO-247	Hard	TRENCHSTOP™ 5	56	1,65	0,18	0,52	570
IKW50N65WR5	650	Y	20 – 60	TO-247	Hard	TRENCHSTOP™ 5	50	1,40	0,70	1,85	1800
IKW75N65EH5	650	Y	30 – 100	TO-247	Hard	TRENCHSTOP™ 5	75	1,65	0,90	2,30	1330
IKW75N65EL5	650	Y	50 Hz - 20 kHz	TO-247	Hard	TRENCHSTOP™ 5	80	1,10	3,20	1,61	1370
IKZ50N65ES5	650	Y	15 – 40	TO-247-4	Hard	TRENCHSTOP™ 5	60,5	1,35	0,88	0,77	1400
IKZ75N65ES5	650	Y	15 – 40	TO-247-4	Hard	TRENCHSTOP™ 5	80	1,42	1,30	1,50	1000
IKZ50N65EH5	650	Y	30 – 100	TO-247-4	Hard	TRENCHSTOP™ 5	54	1,65	0,19	0,41	820
IKZ50N65NH5	650	Y	30 – 100	TO-247-4	Hard	TRENCHSTOP™ 5	54	1,65	0,20	0,35	490
IKZ75N65EH5	650	Y	30 – 100	TO-247-4	Hard	TRENCHSTOP™ 5	75	1,65	0,43	0,68	1020
IKZ75N65EL5	650	Y	50 Hz - 20 kHz	TO-247-4	Hard	TRENCHSTOP™ 5	100	1,10	3,20	1,57	1300
IKZ75N65NH5	650	Y	30 – 100	TO-247-4	Hard	TRENCHSTOP™ 5	75	1,65	0,52	0,88	570
IKW30N65ES5	650	Y	10 – 30	TO-247	Hard	TRENCHSTOP™ 5	39,5	1,35	0,32	0,56	830
IKW40N65ES5	650	Y	10 – 30	TO-247	Hard	TRENCHSTOP™ 5	50	1,35	0,40	0,86	1100
IKW50N65ES5	650	Y	10 – 30	TO-247	Hard	TRENCHSTOP™ 5	60,5	1,35	0,55	1,23	1250
IKW75N65ES5	650	Y	10 – 30	TO-247	Hard	TRENCHSTOP™ 5	80	1,42	0,95	2,40	1800
IKA08N65ET6	650	Y	5 – 30	TO220-3 FP	Hard	TRENCHSTOP™ IGBT6	7	1,5	0,04	0,11	150
IKA10N65ET6	650	Y	5 – 30	TO220-3 FP	Hard	TRENCHSTOP™ IGBT6	9	1,5	0,07	0,20	210
IKA15N65ET6	650	Y	5 – 30	TO220-3 FP	Hard	TRENCHSTOP™ IGBT6	11	1,5	0,11	0,23	210
IHW30N110R3	1100	Y	8 – 60	TO-247	Soft	RC Soft Switching	30	1,55	1,15	-	-
IKW15N120H3	1200	Y	20 – 100	TO-247	Hard	HighSpeed 3	15	2,05	0,45	1,10	800
IKW15N120T2	1200	Y	2 – 20	TO-247	Hard	HighSpeed 3	15	2,20	1,30	1,50	1300

Product type	V _{CE(max)} [V]	Diode	Switching frequency [kHz]	Package	Switching Hard/Soft	Series	I _{c(max)} @ 100° [A]	V _{CE(sat)} (typ.) @ 25° [V]	E _{off} (typ.) @ 25° [mJ]	E _{on} (typ.) @ 25° [mJ]	Q _{rr} (typ.) @ 25° [mC]
IKW25N120H3	1200	Y	20 – 100	TO-247	Hard	HighSpeed 3	25	2,05	0,85	1,80	1200
IKW40N120H3	1200	Y	20 – 100	TO-247	Hard	HighSpeed 3	40	2,05	1,20	3,20	1900
IKQ40N120CH3	1200	Y	18 – 60	TO-247PLUS-3	Hard	HighSpeed 3	40	2,00	1,30	3,30	3600
IKQ50N120CH3	1200	Y	18 – 60	TO-247PLUS-3	Hard	HighSpeed 3	50	2,00	1,90	3,00	3500
IKQ75N120CH3	1200	Y	18 – 60	TO-247PLUS-3	Hard	HighSpeed 3	75	2,00	2,80	6,40	5100
IKY40N120CH3	1200	Y	18 – 60	TO-247PLUS-4	Hard	HighSpeed 3	40	2,00	1,30	2,18	3000
IKY50N120CH3	1200	Y	18 – 60	TO-247PLUS-4	Hard	HighSpeed 3	50	2,00	1,90	2,30	3400
IKY75N120CH3	1200	Y	18 – 60	TO-247PLUS-4	Hard	HighSpeed 3	75	2,00	2,90	3,40	4900
IHW15N120E1	1200	Y	8 – 60	TO-247	Soft	RC Soft Switching	15	1,50	0.03 *	-	-
IHW15N120R3	1200	Y	8 – 60	TO-247	Soft	RC Soft Switching	15	1,48	0,70	-	-
IHW20N120R3	1200	Y	8 – 60	TO-247	Soft	RC Soft Switching	20	1,48	0,95	-	-
IHW20N120R5	1200	Y	8 – 60	TO-247	Soft	RC Soft Switching	20	1,55	0,75	-	-
IHW25N120E1	1200	Y	8 – 60	TO-247	Soft	RC Soft Switching	25	1,50	0.08 *	-	-
IHW25N120R2	1200	Y	8 – 60	TO-247	Soft	RC Soft Switching	25	1,60	2,54	-	-
IHW30N120R3	1200	Y	8 – 60	TO-247	Soft	RC Soft Switching	30	1,55	0.34 *	-	-
IHW40N120R3	1200	Y	8 – 60	TO-247	Soft	RC Soft Switching	40	1,55	0.48 *	-	-
IKW08T120	1200	Y	2 – 20	TO-247	Hard	TRENCHSTOP™	8	2,20	1,20	1,08	1000
IKW25T120	1200	Y	2 – 20	TO-247	Hard	TRENCHSTOP™	25	2,20	4,00	3,00	2300
IKW40T120	1200	Y	2 – 20	TO-247	Hard	TRENCHSTOP™	40	2,30	5,40	5,00	3800
IKW15T120	1200	Y	2 – 20	TO-247	Hard	TRENCHSTOP™ 2	15	2,20	2,10	2,00	1900
IKW25N120T2	1200	Y	2 – 20	TO-247	Hard	TRENCHSTOP™ 2	25	2,20	2,05	2,25	2050
IKW40N120T2	1200	Y	2 – 20	TO-247	Hard	TRENCHSTOP™ 2	40	2,30	3,80	4,50	3300
IKQ40N120CT2	1200	Y	2 – 20	TO-247PLUS-3	Hard	TRENCHSTOP™ 2	40	1,75	2,90	3,10	3100
IKQ50N120CT2	1200	Y	2 – 20	TO-247PLUS-3	Hard	TRENCHSTOP™ 2	50	1,75	3,30	3,80	3900
IKQ75N120CT2	1200	Y	2 – 20	TO-247PLUS-3	Hard	TRENCHSTOP™ 2	75	1,75	4,10	6,70	5100
IHW20N135R3	1350	Y	8 – 60	TO-247	Soft	RC Soft Switching	20	1,60	1,30	-	-
IHW20N135R5	1350	Y	8 – 60	TO-247	Soft	RC Soft Switching	20	1,65	0,95	-	-
IHW30N135R3	1350	Y	8 – 60	TO-247	Soft	RC Soft Switching	30	1,65	0.41 *	-	-
IHW40N135R3	1350	Y	8 – 60	TO-247	Soft	RC Soft Switching	40	1,65	0.55 *	-	-
IHW30N160R2	1600	Y	8 – 60	TO-247	Soft	RC Soft Switching	30	2,35	4,37	-	-
SKB02N120	1200	Y	10 – 40	D2PAK (TO-263)	Hard	Fast	2.8	3,7	0,11	0,27	100
SKP02N120	1200	Y	10 – 40	TO-220	Hard	Fast	2.8	3,7	0,11	0,27	100
IKW15N120BH6	1200	Y	20 – 40	TO-247	Hard	TRENCHSTOP™ IGBT6	15	1,9	0,55	0,7	830
IKW40N120CS6	1200	Y	15 – 35	TO-247	Hard	TRENCHSTOP™ IGBT6	40	1,85	1,55	2,55	2600
IKY40N120CS6	1200	Y	15 – 35	TO-247PLUS-4	Hard	TRENCHSTOP™ IGBT6	40	1,85	1,55	1,45	2600
IKQ75N120CS6	1200	Y	15 – 35	TO-247PLUS-3	Hard	TRENCHSTOP™ IGBT6	75	1,85	2,95	5,15	4700
IKY75N120CS6	1200	Y	15 – 35	TO-247PLUS-4	Hard	TRENCHSTOP™ IGBT6	75	1,85	2,95	2,2	4700
IKB15N65EH5	650	Y	30 – 100	D2PAK (TO-263)	Hard	TRENCHSTOP™ 5	32	1,65	0,08	0,4	500
IKB20N65EH5	650	Y	30 – 100	D2PAK (TO-263)	Hard	TRENCHSTOP™ 5	40	1,65	0,13	0,56	500
IKB30N65EH5	650	Y	30 – 100	D2PAK (TO-263)	Hard	TRENCHSTOP™ 5	40	1,65	0,3	0,86	500
IKB30N65ES5	650	Y	10 – 30	D2PAK (TO-263)	Hard	TRENCHSTOP™ 5	40	1,35	0,32	0,56	500
IKB40N65ES5	650	Y	10 – 30	D2PAK (TO-263)	Hard	TRENCHSTOP™ 5	40	1,35	0,4	0,84	1100
IKB40N65EH5	650	Y	30 – 100	D2PAK (TO-263)	Hard	TRENCHSTOP™ 5	40	1,65	0,12	0,39	1000
IKB40N65EF5	650	Y	60 – 120	D2PAK (TO-263)	Hard	TRENCHSTOP™ 5	46	1,6	0,48	1,12	930
IKFW40N60DH3E	600	Y	20 – 100	Advanced Isolation TO-247	Hard	HighSpeed 3	44	2,3	0,36	0,87	400

Product type	$V_{CE(max)}$ [V]	Diode	Switching frequency [kHz]	Package	Switching Hard/Soft	Series	$I_{C(max)}$ @ 100° [A]	$V_{CE(sat)}$ (typ.) @ 25° [V]	E_{off} (typ.) @ 25° [mJ]	E_{on} (typ.) @ 25° [mJ]	Q_{rr} (typ.) @ 25° [mC]
IKFW50N60DH3E	600	Y	20 – 100	Advanced Isolation TO-247	Hard	HighSpeed 3	60	2,2	0,56	1,28	551
IKFW60N60DH3E	600	Y	20 – 100	Advanced Isolation TO-247	Hard	HighSpeed 3	74	2,2	0,72	1,57	550
IKFW50N60DH3	600	Y	20 – 100	Advanced Isolation TO-247	Hard	HighSpeed 3	60	1,85	0,61	1,22	510
IKFW60N60DH3	600	Y	20 – 100	Advanced Isolation TO-247	Hard	HighSpeed 3	63	1,85	0,93	1,74	1240
IKFW90N60DH3	600	Y	20 – 100	Advanced Isolation TO-247	Hard	HighSpeed 3	95	1,85	1,3	2,65	1940
IKFW50N60ET	600	Y	2 – 20	Advanced Isolation TO-247	Hard	TRENCHSTOP™	64	1,50	1,42	1,5	1240
IKFW75N60ET	600	Y	2 – 20	Advanced Isolation TO-247	Hard	TRENCHSTOP™	95	1,50	2,35	2,7	1940

* Soft Switching

Discrete IGBT without anti-parallel diode

Product type	$V_{CE(max)}$ [V]	Diode	Switching frequency [kHz]	Package	Switching Hard/Soft	Series	$I_{C(max)}$ @ 100° [A]	$V_{CE(sat)}$ (typ.) @ 25° [V]	E_{off} (typ.) @ 25° [mJ]	E_{on} (typ.) @ 25° [mJ]	Q_{rr} (typ.) @ 25° [mC]
IGA30N60H3	600	No	20 – 100	TO220-3 FP	Hard	HighSpeed 3	11	1.95	0.44	0.73	n/a
IGB20N60H3	600	No	20 – 100	D2PAK (TO-263)	Hard	HighSpeed 3	20	1.95	0.24	0.45	n/a
IGB30N60H3	600	No	20 – 100	D2PAK (TO-263)	Hard	HighSpeed 3	30	1.95	0.44	0.73	n/a
IGP20N60H3	600	No	20 – 100	TO-220	Hard	HighSpeed 3	20	1.95	0.24	0.45	n/a
IGP30N60H3	600	No	20 – 100	TO-220	Hard	HighSpeed 3	30	1.95	0.44	0.73	n/a
IGW100N60H3	600	No	20 – 100	TO-247	Hard	HighSpeed 3	120	1.85	1.90	3.70	n/a
IGW20N60H3	600	No	20 – 100	TO-247	Hard	HighSpeed 3	20	1.95	0.24	0.56	n/a
IGW30N60H3	600	No	20 – 100	TO-247	Hard	HighSpeed 3	30	1.95	0.60	0.94	n/a
IGW40N60H3	600	No	20 – 100	TO-247	Hard	HighSpeed 3	40	1.95	0.58	1.10	n/a
IGW50N60H3	600	No	20 – 100	TO-247	Hard	HighSpeed 3	50	1.85	0.91	1.45	n/a
IGW60N60H3	600	No	20 – 100	TO-247	Hard	HighSpeed 3	60	1.85	1.13	2.10	n/a
IGW75N60H3	600	No	20 – 100	TO-247	Hard	HighSpeed 3	75	1.85	1.70	3.00	n/a
IGB10N60T	600	No	2 – 20	D2PAK (TO-263)	Hard	TRENCHSTOP™	18	1.5	0.27	0.16	n/a
IGB15N60T	600	No	2 – 20	D2PAK (TO-263)	Hard	TRENCHSTOP™	23	1.5	0.35	0.22	n/a
IGB30N60T	600	No	2 – 20	D2PAK (TO-263)	Hard	TRENCHSTOP™	39	1.5	0.77	0.69	n/a
IGB50N60T	600	No	2 – 20	D2PAK (TO-263)	Hard	TRENCHSTOP™	90	1.5	1.40	1.20	n/a
IGD06N60T	600	No	2 – 20	DPAK (TO-252)	Hard	TRENCHSTOP™	6	1.5	0.11	0.09	n/a
IGP06N60T	600	No	2 – 20	TO-220	Hard	TRENCHSTOP™	6	1.5	0.11	0.09	n/a
IGP10N60T	600	No	2 – 20	TO-220	Hard	TRENCHSTOP™	18	1.5	0.27	0.16	n/a
IGP15N60T	600	No	2 – 20	TO-220	Hard	TRENCHSTOP™	23	1.5	0.35	0.22	n/a
IGP50N60T	600	No	2 – 20	TO-220	Hard	TRENCHSTOP™	64	1.5	1.40	1.20	n/a
IGU04N60T	600	No	2 – 20	TO-251	Hard	TRENCHSTOP™	4	1.5	0.08	0.06	n/a
IGW30N60T	600	No	2 – 20	TO-247	Hard	TRENCHSTOP™	39	1.5	0.77	0.69	n/a
IGW50N60T	600	No	2 – 20	TO-247	Hard	TRENCHSTOP™	64	1.5	1.40	1.20	n/a
IGW75N60T	600	No	2 – 20	TO-247	Hard	TRENCHSTOP™	75	1.5	2.50	2.00	n/a
IGW30N60TP	600	No	2 – 30	TO-247	Hard	TRENCHSTOP™ Perf.	38	1.6	0.74	0.99	n/a
IGW40N60TP	600	No	2 – 30	TO-247	Hard	TRENCHSTOP™ Perf.	48	1.6	1.05	1.63	n/a
IGW50N60TP	600	No	2 – 30	TO-247	Hard	TRENCHSTOP™ Perf.	61	1.6	1.39	2.25	n/a
IGP20N65F5	650	No	60 – 120	TO-220	Hard	TRENCHSTOP™ 5	21	1.6	0.06	0.16	n/a
IGP20N65H5	650	No	30 – 100	TO-220	Hard	TRENCHSTOP™ 5	21	1.65	0.06	0.17	n/a
IGP30N65F5	650	No	60 – 120	TO-220	Hard	TRENCHSTOP™ 5	35	1.6	0.07	0.28	n/a

Product type	$V_{CE(max)}$ [V]	Diode	Switching frequency [kHz]	Package	Switching Hard/Soft	Series	$I_{C(max)}$ @ 100° [A]	$V_{CE(sat)}$ (typ.) @ 25° [V]	E_{off} (typ.) @ 25° [mJ]	E_{on} (typ.) @ 25° [mJ]	Q_{rr} (typ.) @ 25° [mC]
IGP30N65H5	650	No	30 – 100	TO-220	Hard	TRENCHSTOP™ 5	35	1.65	0.10	0.28	n/a
IGP40N65F5	650	No	60 – 120	TO-220	Hard	TRENCHSTOP™ 5	46	1.6	0.10	0.36	n/a
IGP40N65H5	650	No	30 – 100	TO-220	Hard	TRENCHSTOP™ 5	46	1.6	0.10	0.36	n/a
IGW30N65L5	650	No	50 Hz – 20 kHz	TO-247	Hard	TRENCHSTOP™ 5	62	1.05	1.35	0.47	n/a
IGW40N65F5	650	No	60 – 120	TO-247	Hard	TRENCHSTOP™ 5	46	1.6	0.10	0.36	n/a
IGW40N65H5	650	No	30 – 100	TO-247	Hard	TRENCHSTOP™ 5	46	1.65	0.12	0.39	n/a
IGW50N65F5	650	No	60 – 120	TO-247	Hard	TRENCHSTOP™ 5	56	1.6	0.16	0.49	n/a
IGW50N65H5	650	No	30 – 100	TO-247	Hard	TRENCHSTOP™ 5	56	1.65	0.18	0.52	n/a
IGW75N65H5	650	No	30 – 100	TO-247	Hard	TRENCHSTOP™ 5	75	1.65	0.95	2.25	n/a
IGZ100N65H5	650	No	30 – 100	TO-247-4	Hard	TRENCHSTOP™ 5	101	1.65	0.77	0.85	n/a
IGZ50N65H5	650	No	30 – 100	TO-247-4	Hard	TRENCHSTOP™ 5	54	1.65	0.19	0.41	n/a
IGZ75N65H5	650	No	30 – 100	TO-247-4	Hard	TRENCHSTOP™ 5	75	1.65	0.43	0.68	n/a
IGW30N100T	1000	No	2 – 20	TO-247	Hard	TRENCHSTOP™	30	1.55	1.60	2.20	n/a
SGB02N120	1200	No	10 – 40	D2PAK (TO-263)	Hard	Fast	2.8	3.7	0.11	0.27	n/a
SGB07N120	1200	No	10 – 40	D2PAK (TO-263)	Hard	Fast	7.9	3.7	0.70	1.00	n/a
SGB15N120	1200	No	10 – 40	D2PAK (TO-263)	Hard	Fast	15	3.7	1.50	1.90	n/a
SGD02N120	1200	No	10 – 40	DPAK (TO-252)	Hard	Fast	2.8	3.7	0.11	0.27	n/a
SGP02N120	1200	No	10 – 40	TO-220	Hard	Fast	2.8	3.7	0.11	0.27	n/a
SGP07N120	1200	No	10 – 40	TO-220	Hard	Fast	7.9	3.7	0.70	1.00	n/a
SGP15N120	1200	No	10 – 40	TO-220	Hard	Fast	15	3.7	1.50	1.90	n/a
IGW15N120H3	1200	No	20 – 100	TO-247	Hard	HighSpeed 3	15	2.05	0.45	1.10	n/a
IGW25N120H3	1200	No	20 – 100	TO-247	Hard	HighSpeed 3	25	2.05	0.85	1.80	n/a
IGW40N120H3	1200	No	20 – 100	TO-247	Hard	HighSpeed 3	40	2.05	1.20	3.20	n/a
IGW08T120	1200	No	2 – 20	TO-247	Hard	TRENCHSTOP™	8	2.2	1.20	1.08	n/a
IGW15T120	1200	No	2 – 20	TO-247	Hard	TRENCHSTOP™	15	2.2	2.10	2.00	n/a
IGW25T120	1200	No	2 – 20	TO-247	Hard	TRENCHSTOP™	25	2.2	4.00	3.00	n/a
IGW40T120	1200	No	2 – 20	TO-247	Hard	TRENCHSTOP™	40	2.3	5.40	5.00	n/a
IGW60T120	1200	No	2 – 20	TO-247	Hard	TRENCHSTOP™	60	2.3	9.40	6.40	n/a
IGB15N65S5	650	No	10 – 30	D2PAK (TO-263)	Hard	TRENCHSTOP™ 5	23	1.35	0.14	0.25	n/a
IGB20N65S5	650	No	10 – 30	D2PAK (TO-263)	Hard	TRENCHSTOP™ 5	28	1.35	0.15	0.36	n/a
IGB50N65H5	650	No	30 – 100	D2PAK (TO-263)	Hard	TRENCHSTOP™ 5	53.7	1.65	0.75	1.56	n/a
IGB50N65S5	650	No	10 – 30	D2PAK (TO-263)	Hard	TRENCHSTOP™ 5	63	1.35	0.74	1.23	n/a

Published by
Infineon Technologies Austria AG
9500 Villach, Austria

© 2018 Infineon Technologies AG.
All Rights Reserved.

Order number: B133-I0528-V1-7600-EU-EC
Date: 06/2018

Please note!

THIS DOCUMENT IS FOR INFORMATION PURPOSES ONLY AND ANY INFORMATION GIVEN HEREIN SHALL IN NO EVENT BE REGARDED AS A WARRANTY, GUARANTEE OR DESCRIPTION OF ANY FUNCTIONALITY, CONDITIONS AND/OR QUALITY OF OUR PRODUCTS OR ANY SUITABILITY FOR A PARTICULAR PURPOSE. WITH REGARD TO THE TECHNICAL SPECIFICATIONS OF OUR PRODUCTS, WE KINDLY ASK YOU TO REFER TO THE RELEVANT PRODUCT DATA SHEETS PROVIDED BY US. OUR CUSTOMERS AND THEIR TECHNICAL DEPARTMENTS ARE REQUIRED TO EVALUATE THE SUITABILITY OF OUR PRODUCTS FOR THE INTENDED APPLICATION.

WE RESERVE THE RIGHT TO CHANGE THIS DOCUMENT AND/OR THE INFORMATION GIVEN HEREIN AT ANY TIME.

Additional information

For further information on technologies, our products, the application of our products, delivery terms and conditions and/or prices, please contact your nearest Infineon Technologies office (www.infineon.com).

Warnings

Due to technical requirements, our products may contain dangerous substances. For information on the types in question, please contact your nearest Infineon Technologies office.

Except as otherwise explicitly approved by us in a written document signed by authorized representatives of Infineon Technologies, our products may not be used in any life-endangering applications, including but not limited to medical, nuclear, military, life-critical or any other applications where a failure of the product or any consequences of the use thereof can result in personal injury.