



SI2324A

N-Channel Enhancement Mode Field Effect Transistor

Features

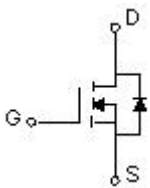
- Halogen free available upon request by adding suffix "-HF"
- TrenchFET Power Mosfet
- Low $R_{DS(ON)}$
- Epoxy meets UL 94 V-0 flammability rating
- Moisture Sensitivity Level 1

Maximum Ratings @ 25 C Unless Otherwise Specified

Symbol	Parameter	Rating	Unit
V_{DS}	Drain-source Voltage	100	V
I_D	Continuous Drain Current	2	A
P_D	Total Power Dissipation	1.2	W
V_{GS}	Gate-source Voltage	± 20	V
$R_{\theta JA}$	Thermal Resistance from Junction to Ambient	105	$^{\circ}C/W$
T_J	Operating Junction Temperature	-55 to +150	$^{\circ}C$
T_{STG}	Storage Temperature	-55 to +150	$^{\circ}C$

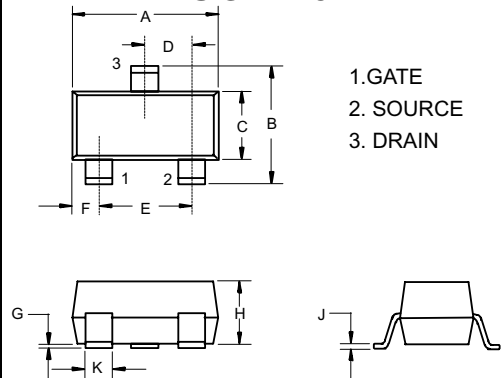
NOTE 1. Repetitive rating: Pulse width limited by junction temperature.

Internal Block Diagram



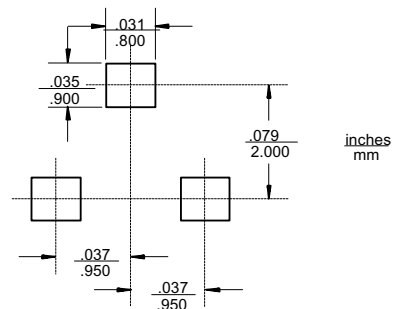
Marking:1002

SOT-23



DIM	INCHES		MM		NOTE
	MIN	MAX	MIN	MAX	
A	.110	.120	2.80	3.04	
B	.083	.104	2.10	2.64	
C	.047	.055	1.20	1.40	
D	.035	.041	.89	1.03	
E	.070	.081	1.78	2.05	
F	.018	.024	.45	.60	
G	.0005	.0039	.013	.100	
H	.035	.044	.89	1.12	
J	.003	.007	.085	.180	
K	.015	.020	.37	.51	

Suggested Solder Pad Layout



SI2324A

Electrical characteristics ($T_a=25^{\circ}\text{C}$ unless otherwise noted)

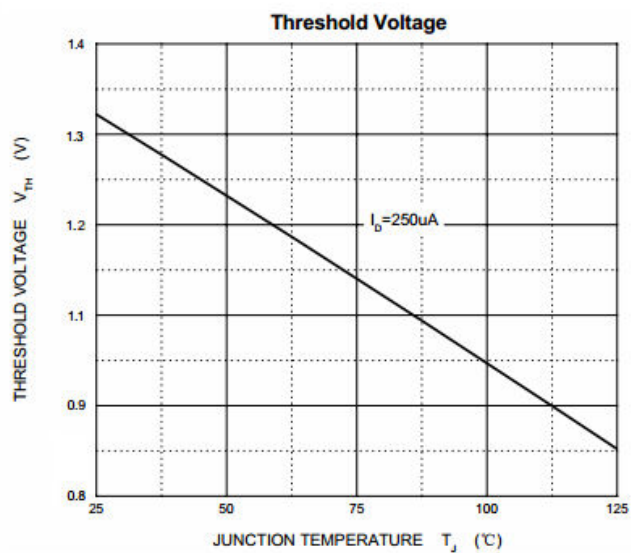
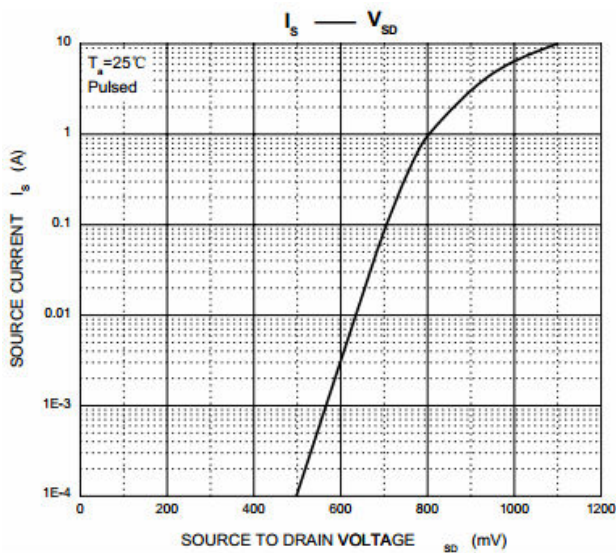
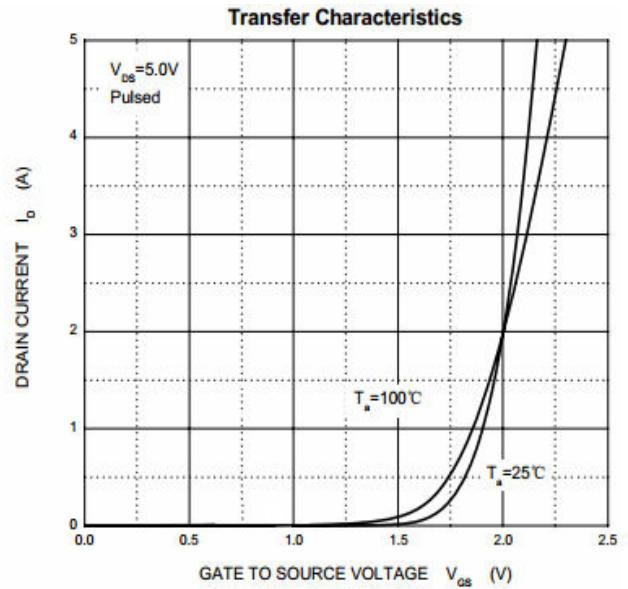
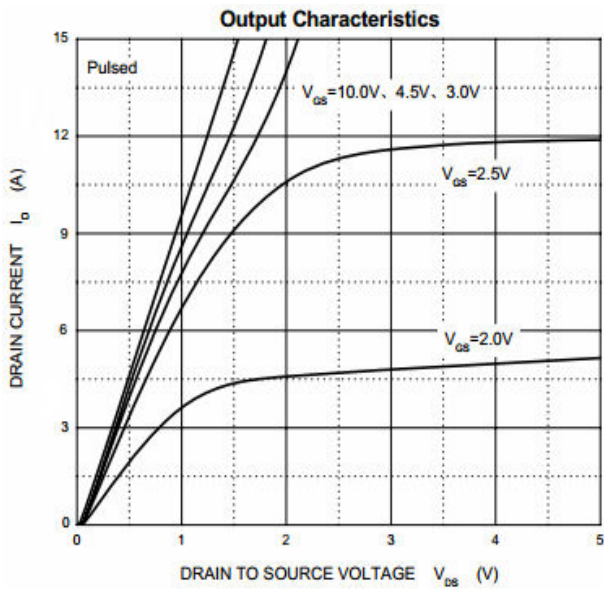
Parameter	Symbol	Test conditions	Min	Typ	Max	Unit
Static Characteristics						
Drain-source breakdown voltage	$V_{(BR)DSS}$	$V_{GS}=0V, I_D=250\mu A$	100			V
Zero gate voltage drain current	I_{DSS}	$V_{DS}=100V, V_{GS}=0V$			1	μA
Gate-body leakage current	I_{GSS}	$V_{GS}= \pm 20V, V_{DS}=0V$			± 100	nA
Gate threshold voltage*	$V_{GS(th)}$	$V_{DS}= V_{GS}, I_D=250\mu A$	1.0	1.5	2.0	V
Drain-source on-resistance*	$R_{DS(on)}$	$V_{GS}= 10V, I_D=2.0A$		250	280	m Ω
		$V_{GS}= 4.5V, I_D=2.0A$		260	300	
Forward Transconductance	g_{FS}	$V_{DS}= 5V, I_D=2.0A$	2			s
Dynamic Characteristics **						
Input Capacitance	C_{iss}	$V_{DS}=15V, V_{GS}=0V, f=1MHz$		520		pF
Output Capacitance	C_{oss}			130		
Reverse Transfer Capacitance	C_{rss}			36		
Switching Characteristics**						
Turn-on delay time	$t_{d(on)}$	$V_{DD}=10V, V_{GS}=4.5V, R_L=2.8\Omega, I_D=1A, R_{GEN}=6\Omega$		12		ns
Turn-on rise time	t_r			52		
Turn-off delay time	$t_{d(off)}$			17		
Turn-off Fall time	t_f			10		
Total Gate Charge	Q_g	$V_{DS}=10V, I_D=2.0A, V_{GS}=4.5V$		4.8		nC
Gate-Source Charge	Q_{gs}			1.2		
Gate-Drain Charge	Q_{gd}			1.7		
Source-Drain Diode characteristics						
Drain-Source Diode Forward Current	I_S				2.0	A
Diode Forward voltage	V_{SD}	$V_{GS}=0V, I_S=2.0A$		0.9	1.2	V

Notes:

*Pulse Test: Pulse Width $\leq 300\mu A$, Duty Cycles $\leq 2\%$.

**These parameters have no way to verify.

Typical Characteristics





Micro Commercial Components

Ordering Information :

Device	Packing
Part Number-TP	Tape&Reel: 3Kpcs/Reel

*****IMPORTANT NOTICE*****

Micro Commercial Components Corp. reserves the right to make changes without further notice to any product herein to make corrections, modifications , enhancements , improvements , or other changes . **Micro Commercial Components Corp .** does not assume any liability arising out of the application or use of any product described herein; neither does it convey any license under its patent rights ,nor the rights of others . The user of products in such applications shall assume all risks of such use and will agree to hold **Micro Commercial Components Corp .** and all the companies whose products are represented on our website, harmless against all damages.

*****LIFE SUPPORT*****

MCC's products are not authorized for use as critical components in life support devices or systems without the express written approval of Micro Commercial Components Corporation.

*****CUSTOMER AWARENESS*****

Counterfeiting of semiconductor parts is a growing problem in the industry. Micro Commercial Components (MCC) is taking strong measures to protect ourselves and our customers from the proliferation of counterfeit parts. MCC strongly encourages customers to purchase MCC parts either directly from MCC or from Authorized MCC Distributors who are listed by country on our web page cited below. Products customers buy either from MCC directly or from Authorized MCC Distributors are genuine parts, have full traceability, meet MCC's quality standards for handling and storage. **MCC will not provide any warranty coverage or other assistance for parts bought from Unauthorized Sources.** MCC is committed to combat this global problem and encourage our customers to do their part in stopping this practice by buying direct or from authorized distributors.

www.mccsemi.com