

N-channel 600 V, 1.7  $\Omega$  typ., 4 A Zener-protected SuperMESH™ Power MOSFETs in TO-220 and TO-220FP packages

Datasheet - production data

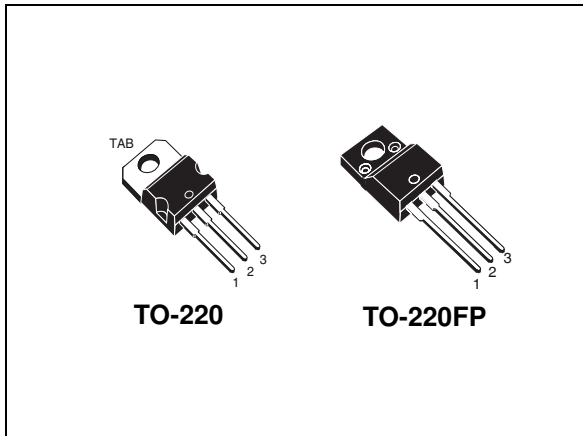
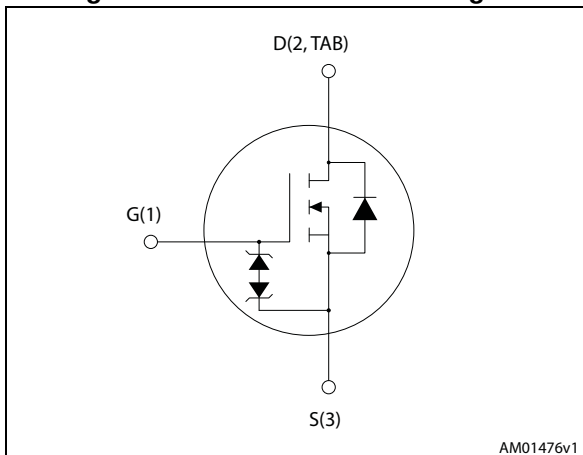


Figure 1. Internal schematic diagram



## Features

| Order codes | V <sub>DS</sub> | R <sub>DS(on)</sub> max. | P <sub>TOT</sub> | I <sub>D</sub> |
|-------------|-----------------|--------------------------|------------------|----------------|
| STP4NK60Z   | 600 V           | 2 $\Omega$               | 70 W             | 4 A            |
| STP4NK60ZFP |                 |                          |                  |                |

- 100% avalanche tested
- Very low intrinsic capacitances
- Zener-protected

## Applications

- Switching applications

## Description

These devices are N-channel Zener-protected Power MOSFETs developed using STMicroelectronics' SuperMESH™ technology, achieved through optimization of ST's well established strip-based PowerMESH™ layout. In addition to a significant reduction in on-resistance, this device is designed to ensure a high level of dv/dt capability for the most demanding applications.

Table 1. Device summary

| Order codes | Marking   | Packages | Packaging |
|-------------|-----------|----------|-----------|
| STP4NK60Z   | P4NK60Z   | TO-220   | Tube      |
| STP4NK60ZFP | P4NK60ZFP | TO-220FP |           |

# Contents

|          |   |           |
|----------|---|-----------|
| <b>1</b> | <b>Electrical ratings</b> .....           | <b>3</b>  |
| <b>2</b> | <b>Electrical characteristics</b> .....   | <b>4</b>  |
| 2.1      | Electrical characteristics (curves) ..... | 6         |
| <b>3</b> | <b>Test circuits</b> .....                | <b>9</b>  |
| <b>4</b> | <b>Package mechanical data</b> .....      | <b>10</b> |
| <b>5</b> | <b>Revision history</b> .....             | <b>15</b> |



# 1 Electrical ratings

**Table 2. Absolute maximum ratings**

| Symbol               | Parameter  | Value      |                    | Unit |
|----------------------|--|------------|--------------------|------|
|                      |  | TO-220     | TO-220FP           |      |
| $V_{DS}$             | Drain-source voltage   | 600        |                    | V    |
| $V_{GS}$             | Gate- source voltage   | ± 30       |                    | V    |
| $I_D$                | Drain current (continuous) at $T_C = 25\text{ °C}$   | 4          | 4 <sup>(1)</sup>   | A    |
| $I_D$                | Drain current (continuous) at $T_C = 100\text{ °C}$  | 2.5        | 2.5 <sup>(1)</sup> | A    |
| $I_{DM}^{(2)}$       | Drain current (pulsed)   | 16         | 16 <sup>(1)</sup>  | A    |
| $P_{TOT}$            | Total dissipation at $T_C = 25\text{ °C}$  | 70         | 25                 | W    |
|                      | Derating factor  | 0.56       | 0.2                | W/°C |
| ESD                  | Gate-source human body model (C=100 pF, R=1.5 kΩ)  | 3          |                    | kV   |
| dv/dt <sup>(3)</sup> | Peak diode recovery voltage slope  | 4.5        |                    | V/ns |
| $V_{ISO}$            | Insulation withstand voltage (RMS) from all three leads to external heat sink (t=1 s; $T_C=25\text{ °C}$ ) |            | 2500               | V    |
| $T_{stg}$            | Storage temperature  | -55 to 150 |                    | °C   |
| $T_j$                | Max operating junction temperature   | 150        |                    | °C   |

- Limited by maximum junction temperature.
- Pulse width limited by safe operating area
- $I_{SD} \leq 4\text{ A}$ ,  $di/dt \leq 200\text{ A}/\mu\text{s}$ ,  $V_{DD} \leq V_{(BR)DSS}$ ,  $T_J \leq T_{JMAX}$ .

**Table 3. Thermal data**

| Symbol         | Parameter                               | Value  |          | Unit |
|----------------|---|--------|----------|------|
|                |   | TO-220 | TO-220FP |      |
| $R_{thj-case}$ | Thermal resistance junction-case max    | 1.79   | 5        | °C/W |
| $R_{thj-amb}$  | Thermal resistance junction-ambient max | 62.5   |          | °C/W |

**Table 4. Avalanche characteristics**

| Symbol   | Parameter  | Value | Unit |
|----------|--|-------|------|
| $I_{AR}$ | Avalanche current, repetitive or not-repetitive (pulse width limited by $T_{jmax}$ )                 | 4     | A    |
| $E_{AS}$ | Single pulse avalanche energy (starting $T_J = 25\text{ °C}$ , $I_D=I_{AR}$ , $V_{DD}=50\text{ V}$ ) | 120   | mJ   |

## 2 Electrical characteristics

( $T_{CASE} = 25\text{ °C}$  unless otherwise specified)

**Table 5. On/off states**

| Symbol        | Parameter  | Test conditions   | Min. | Typ. | Max.     | Unit                           |
|---------------|--|---|------|------|----------|--------------------------------|
| $V_{(BR)DSS}$ | Drain-source breakdown voltage                   | $I_D = 1\text{ mA}$   | 600  |      |          | V                              |
| $I_{DSS}$     | Zero gate voltage drain current ( $V_{GS} = 0$ ) | $V_{DS} = 600\text{ V}$<br>$V_{DS} = 600\text{ V}, T_C = 125\text{ °C}$ |      |      | 1<br>50  | $\mu\text{A}$<br>$\mu\text{A}$ |
| $I_{GSS}$     | Gate-body leakage current ( $V_{DS} = 0$ )       | $V_{GS} = \pm 20\text{ V}$  |      |      | $\pm 10$ | $\mu\text{A}$                  |
| $V_{GS(th)}$  | Gate threshold voltage                           | $V_{DS} = V_{GS}, I_D = 50\text{ }\mu\text{A}$                          | 3    | 3.75 | 4.5      | V                              |
| $R_{DS(on)}$  | Static drain-source on resistance                | $V_{GS} = 10\text{ V}, I_D = 2\text{ A}$                                |      | 1.7  | 2        | $\Omega$                       |

**Table 6. Dynamic**

| Symbol                     | Parameter                     | Test conditions   | Min. | Typ. | Max. | Unit |
|----------------------------|-------------------------------|---|------|------|------|------|
| $g_{fs}^{(1)}$             | Forward transconductance      | $V_{DS} = 15\text{ V}, I_D = 2\text{ A}$  | -    | 3    |      | S    |
| $C_{iss}$                  | Input capacitance             | $V_{DS} = 25\text{ V}, f = 1\text{ MHz},$<br>$V_{GS} = 0$   | -    | 510  |      | pF   |
| $C_{oss}$                  | Output capacitance            |   | -    | 67   |      | pF   |
| $C_{rss}$                  | Reverse transfer capacitance  |   | -    | 13   |      | pF   |
| $C_{oss\text{ eq.}}^{(2)}$ | Equivalent output capacitance | $V_{DS} = 0, V_{DS} = 0\text{ to }480\text{ V}$   | -    | 38.5 |      | pF   |
| $t_{d(on)}$                | Turn-on delay time            | $V_{DD} = 300\text{ V}, I_D = 2\text{ A},$<br>$R_G = 4.7\text{ }\Omega, V_{GS} = 10\text{ V}$<br>(see <a href="#">Figure 17</a> ) | -    | 12   |      | ns   |
| $t_r$                      | Rise time                     |   | -    | 9.5  |      | ns   |
| $t_{d(off)}$               | Turn-off delay time           |   | -    | 29   |      | ns   |
| $t_f$                      | Fall time                     |   | -    | 16.5 |      | ns   |
| $t_{r(voff)}$              | Off-voltage rise time         | $V_{DD} = 480\text{ V}, I_D = 4\text{ A},$<br>$R_G = 4.7\text{ }\Omega, V_{GS} = 10\text{ V}$<br>(see <a href="#">Figure 19</a> ) | -    | 12   |      | ns   |
| $t_f$                      | Fall time                     |   | -    | 12   |      | ns   |
| $t_c$                      | Cross-over time               |   | -    | 19.5 |      | ns   |
| $Q_g$                      | Total gate charge             | $V_{DD} = 480\text{ V}, I_D = 4\text{ A},$<br>$V_{GS} = 10\text{ V}$<br>(see <a href="#">Figure 18</a> )                          | -    | 18.8 | 26   | nC   |
| $Q_{gs}$                   | Gate-source charge            |   | -    | 3.8  |      | nC   |
| $Q_{gd}$                   | Gate-drain charge             |   | -    | 9.8  |      | nC   |

1. Pulsed: pulse duration=300 $\mu\text{s}$ , duty cycle 1.5%

2.  $C_{oss\text{ eq.}}$  is defined as a constant equivalent capacitance giving the same charging time as  $C_{oss}$  when  $V_{DS}$  increases from 0 to 80%  $V_{DSS}$ .

Table 7. Source drain diode

| Symbol          | Parameter                     | Test conditions   | Min. | Typ. | Max. | Unit |
|-----------------|-------------------------------|---|------|------|------|------|
| $I_{SD}$        | Source-drain current          |   | -    |      | 4    | A    |
| $I_{SDM}^{(1)}$ | Source-drain current (pulsed) |   | -    |      | 16   | A    |
| $V_{SD}^{(2)}$  | Forward on voltage            | $I_{SD} = 4\text{ A}, V_{GS} = 0$                       | -    |      | 1.6  | V    |
| $t_{rr}$        | Reverse recovery time         | $I_{SD} = 4\text{ A}, di/dt = 100\text{ A}/\mu\text{s}$ | -    | 400  |      | ns   |
| $Q_{rr}$        | Reverse recovery charge       | $V_{DD} = 24\text{ V}, T_j = 150\text{ }^\circ\text{C}$ | -    | 1700 |      | nC   |
| $I_{RRM}$       | Reverse recovery current      | (see <a href="#">Figure 19</a> )                        | -    | 8.5  |      | A    |

1. Pulsed: pulse duration = 300  $\mu\text{s}$ , duty cycle 1.5%
2. Pulse width limited by safe operating area

Table 8. Gate-source Zener diode

| Symbol        | Parameter                     | Test conditions                     | Min | Typ. | Max. | Unit |
|---------------|-------------------------------|-------------------------------------|-----|------|------|------|
| $V_{(BR)GSO}$ | Gate-source breakdown voltage | $I_{GS} = \pm 1\text{ mA}, I_D = 0$ | 30  | -    | -    | V    |

The built-in back-to-back Zener diodes have been specifically designed to enhance not only the device's ESD capability, but also to make them capable of safely absorbing any voltage transients that may occasionally be applied from gate to source. In this respect, the Zener voltage is appropriate to achieve efficient and cost-effective protection of device integrity. The integrated Zener diodes thus eliminate the need for external components.

## 2.1 Electrical characteristics (curves)

Figure 2. Safe operating area for TO-220

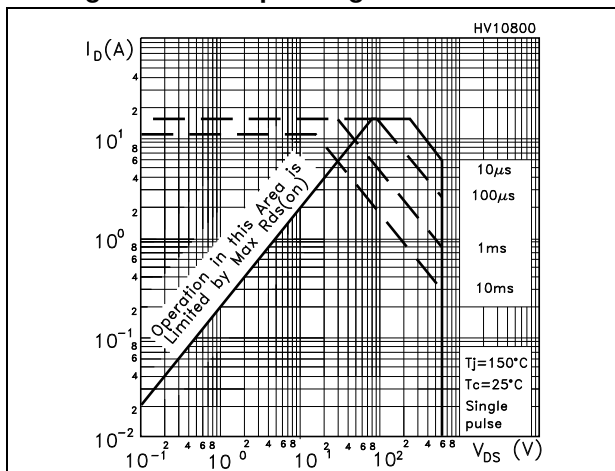


Figure 3. Thermal impedance for TO-220

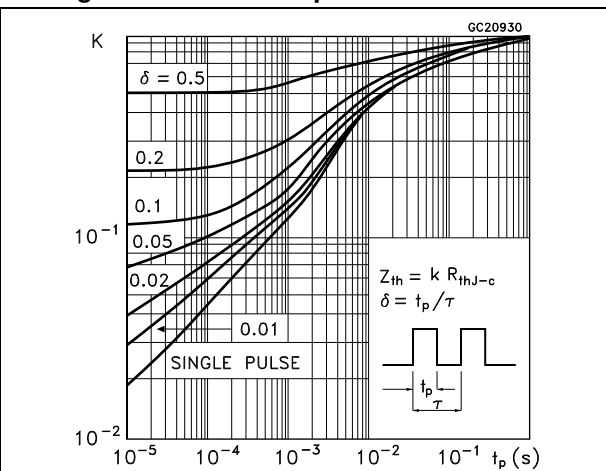


Figure 4. Safe operating area for TO-220FP

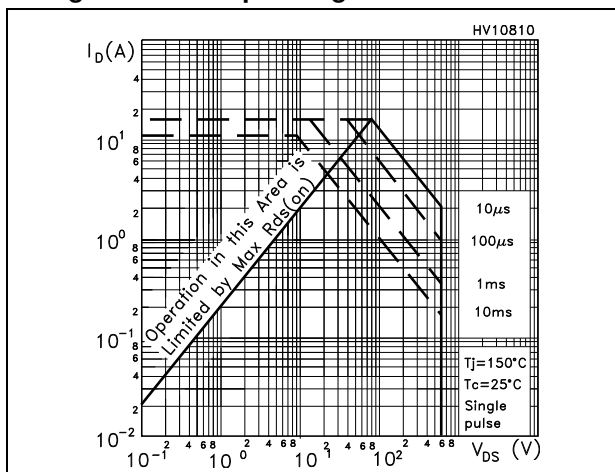


Figure 5. Thermal impedance for TO-220FP

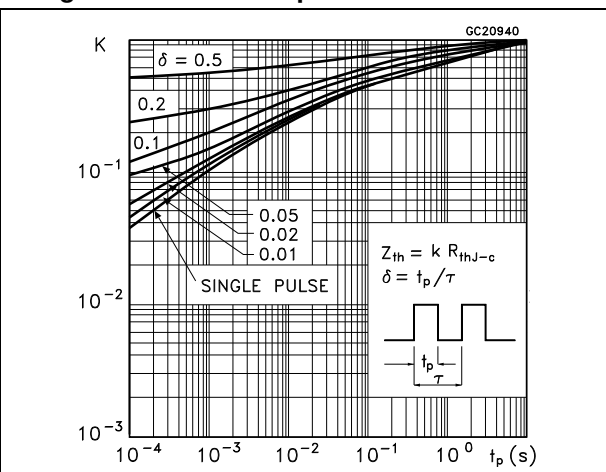


Figure 6. Output characteristics

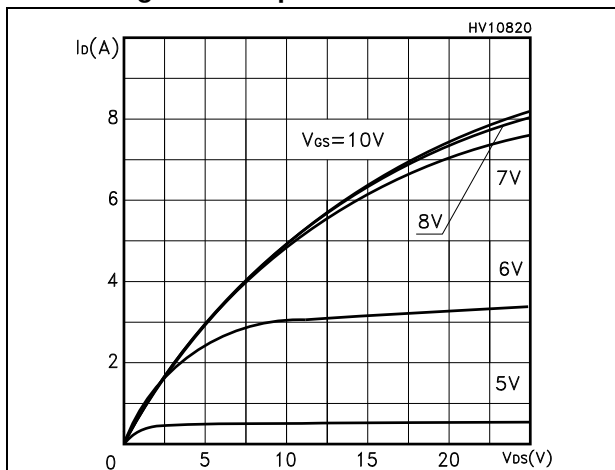


Figure 7. Transfer characteristics

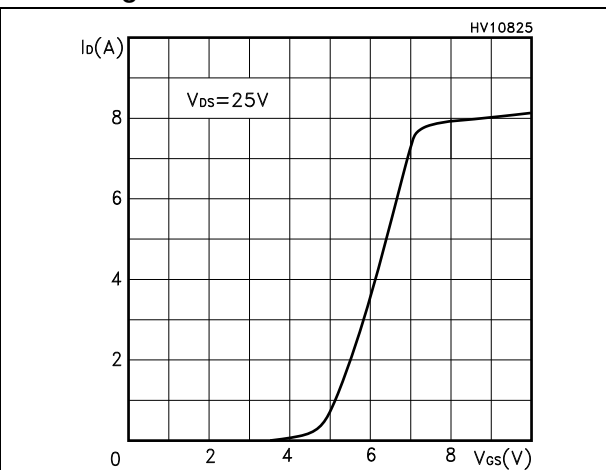


Figure 8. Transconductance

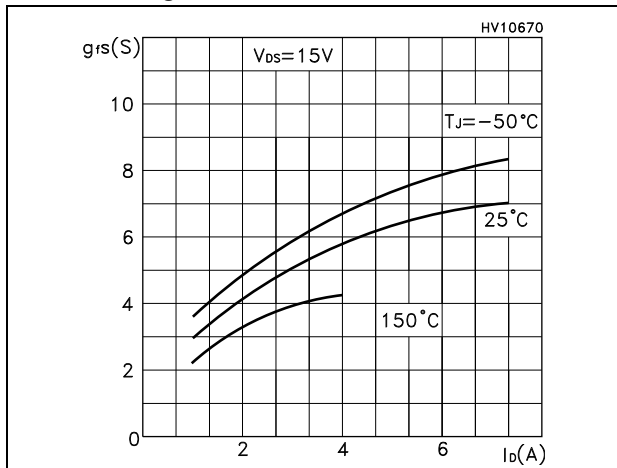


Figure 9. Static drain-source on-resistance

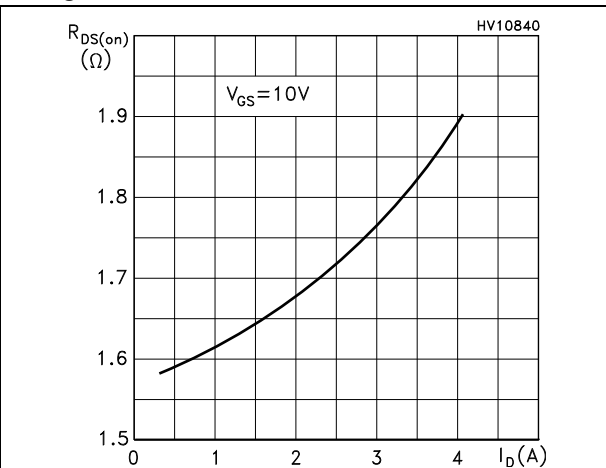


Figure 10. Gate charge vs gate-source voltage

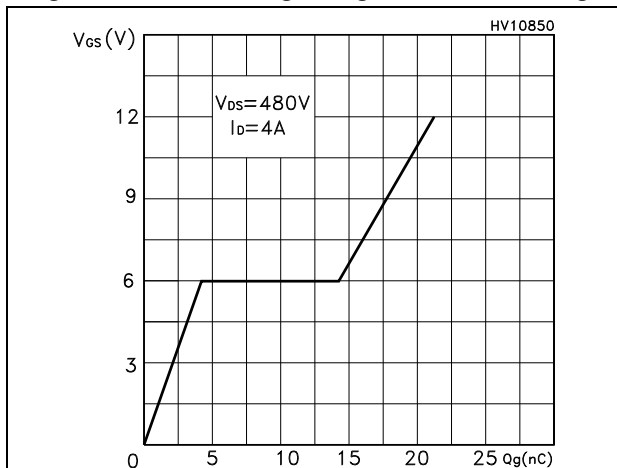


Figure 11. Capacitance variations

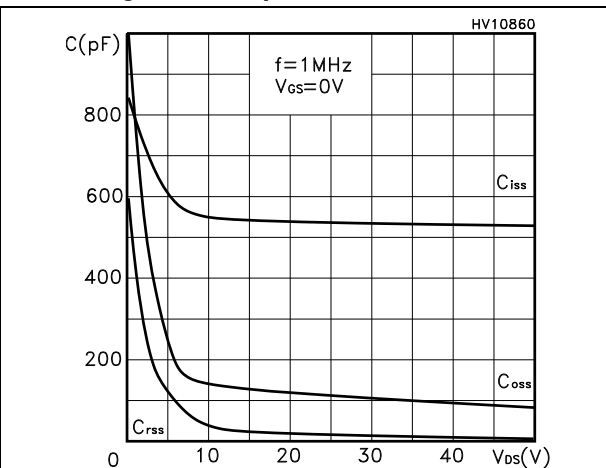


Figure 12. Normalized gate threshold voltage vs temperature

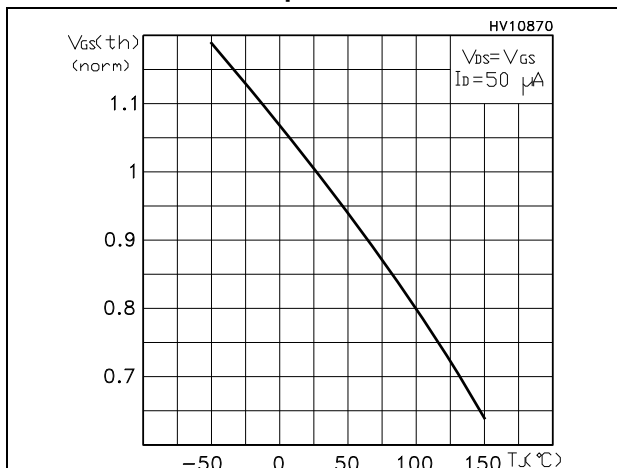


Figure 13. Normalized RDS(on) vs temperature

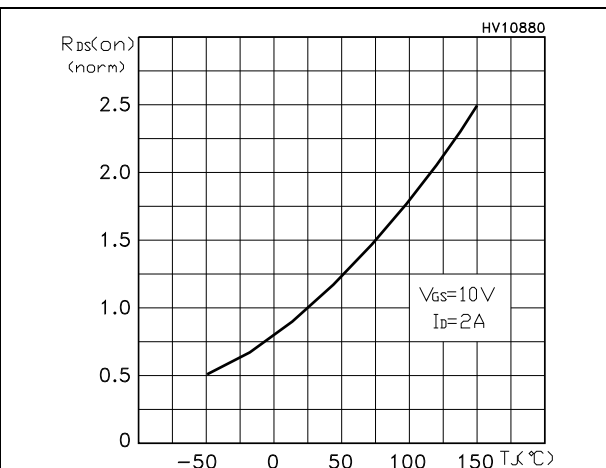


Figure 14. Source-drain diode forward characteristic

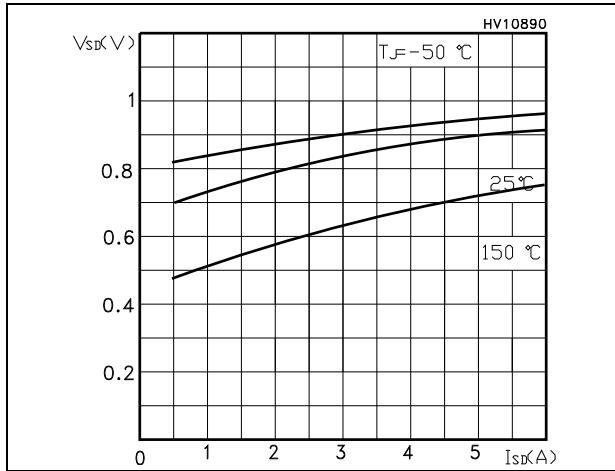


Figure 15. Normalized  $V_{DS}$  vs temperature

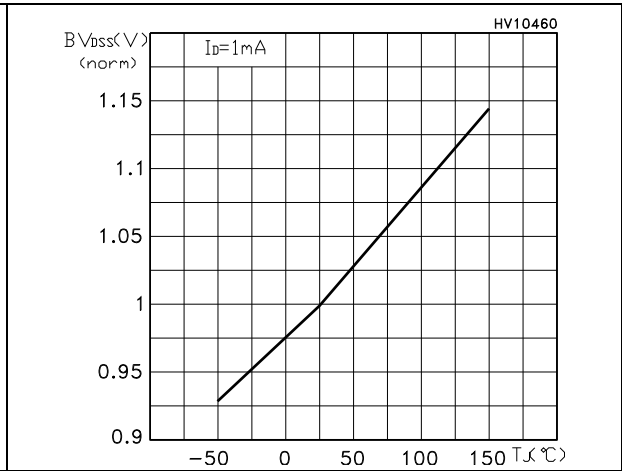
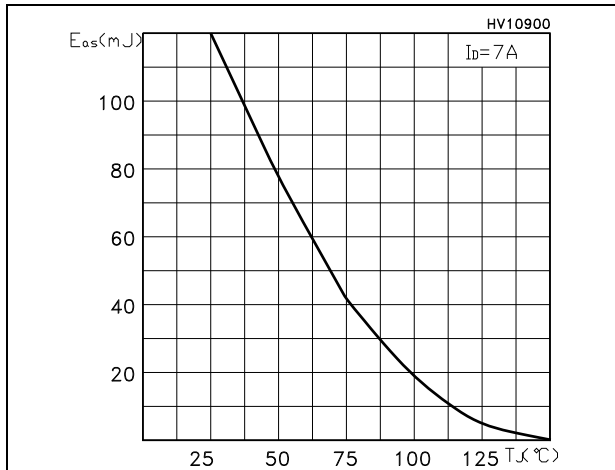


Figure 16. Avalanche energy vs temperature





### 3 Test circuits

Figure 17. Switching times test circuit for resistive load

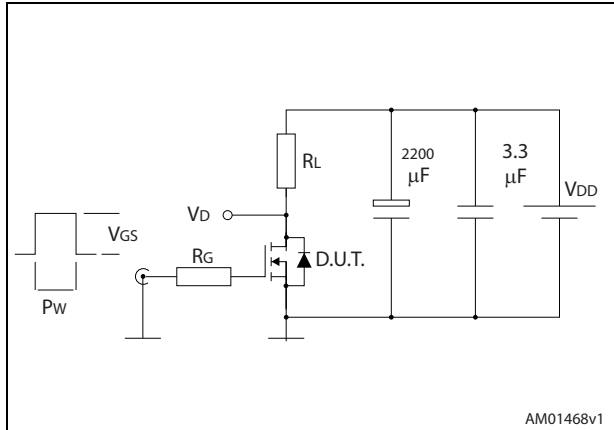


Figure 18. Gate charge test circuit

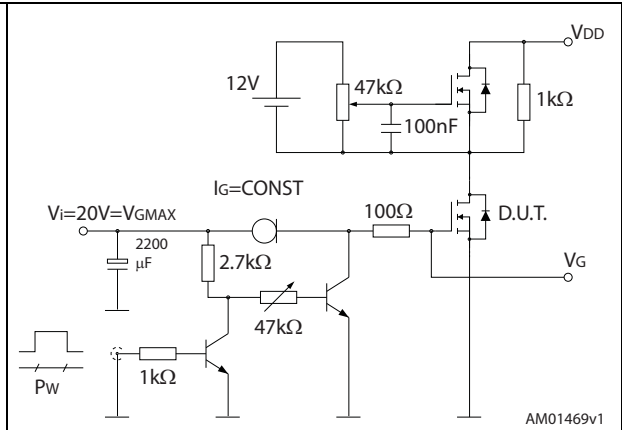


Figure 19. Test circuit for inductive load switching and diode recovery times

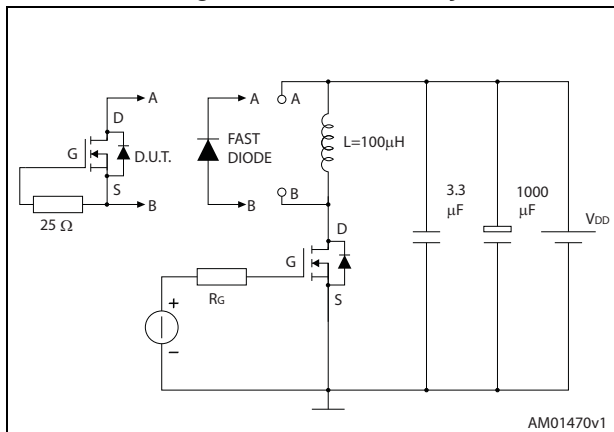


Figure 20. Unclamped inductive load test circuit

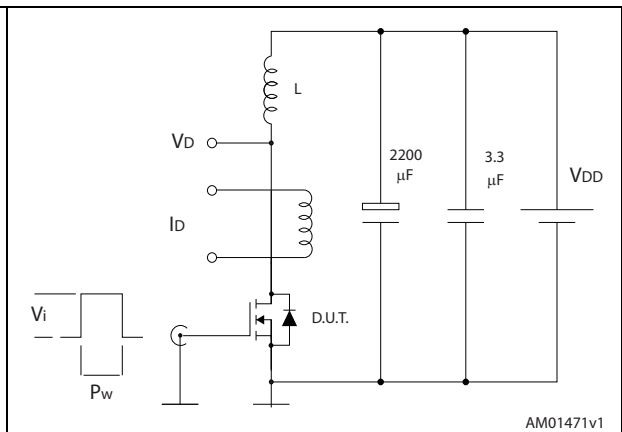


Figure 21. Unclamped inductive waveform

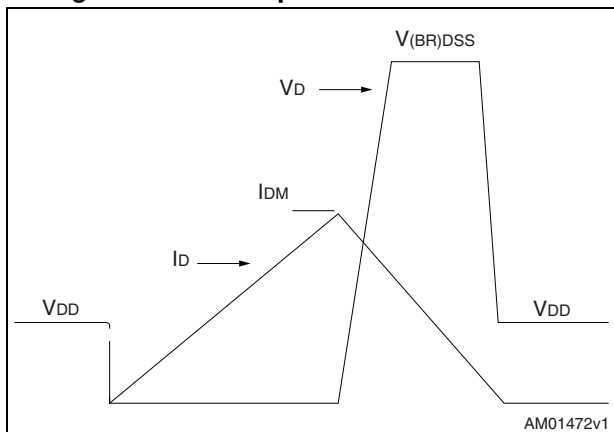
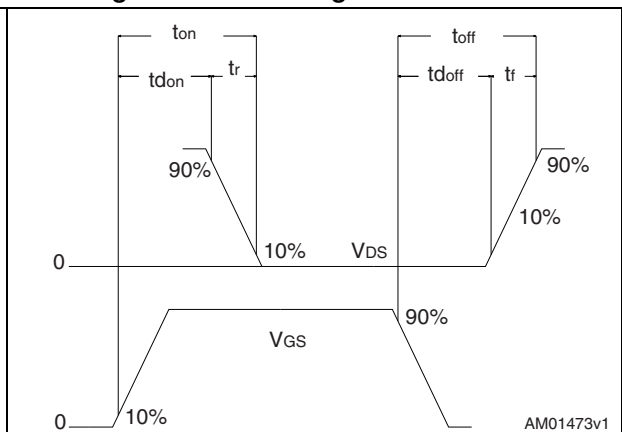


Figure 22. Switching time waveform



## 4 Package mechanical data

In order to meet environmental requirements, ST offers these devices in different grades of ECOPACK<sup>®</sup> packages, depending on their level of environmental compliance. ECOPACK<sup>®</sup> specifications, grade definitions and product status are available at: [www.st.com](http://www.st.com). ECOPACK<sup>®</sup> is an ST trademark.

Figure 23. TO-220 type A drawing

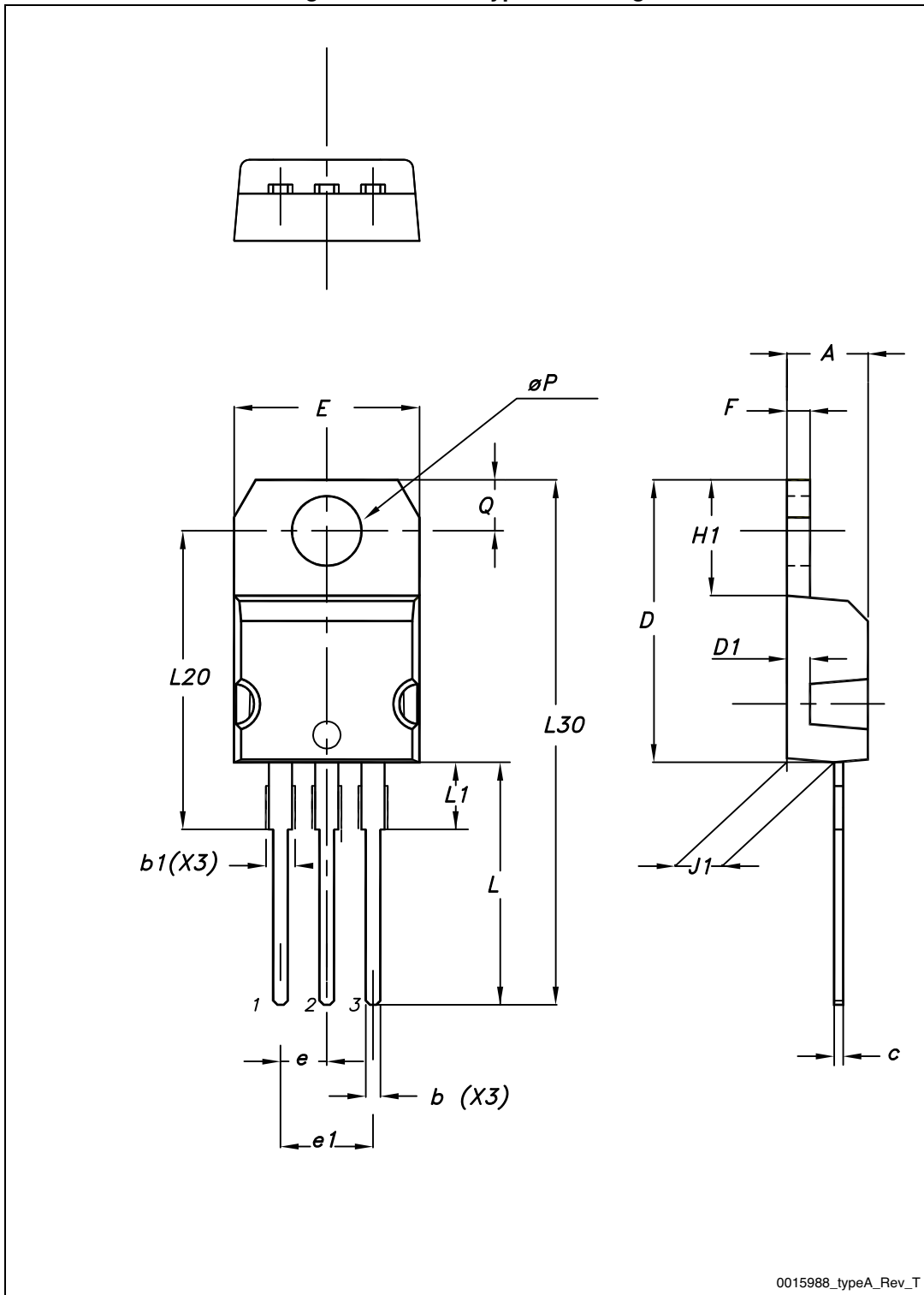
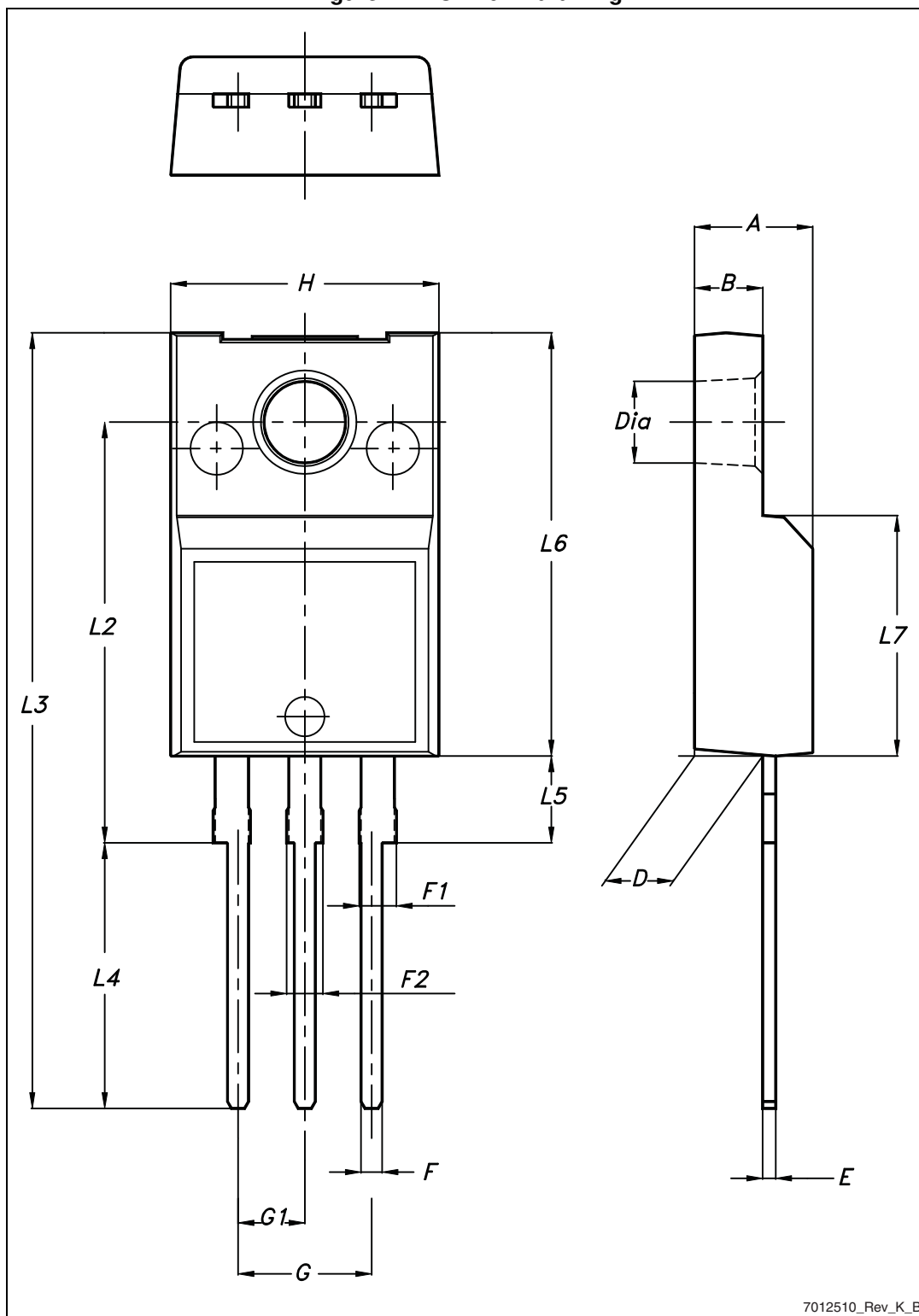


Table 9. TO-220 type A mechanical data

| Dim. | mm    |       |       |
|------|-------|-------|-------|
|      | Min.  | Typ.  | Max.  |
| A    | 4.40  |       | 4.60  |
| b    | 0.61  |       | 0.88  |
| b1   | 1.14  |       | 1.70  |
| c    | 0.48  |       | 0.70  |
| D    | 15.25 |       | 15.75 |
| D1   |       | 1.27  |       |
| E    | 10    |       | 10.40 |
| e    | 2.40  |       | 2.70  |
| e1   | 4.95  |       | 5.15  |
| F    | 1.23  |       | 1.32  |
| H1   | 6.20  |       | 6.60  |
| J1   | 2.40  |       | 2.72  |
| L    | 13    |       | 14    |
| L1   | 3.50  |       | 3.93  |
| L20  |       | 16.40 |       |
| L30  |       | 28.90 |       |
| ØP   | 3.75  |       | 3.85  |
| Q    | 2.65  |       | 2.95  |

Figure 24. TO-220FP drawing



7012510\_Rev\_K\_B

Table 10. TO-220FP mechanical data

| Dim. | mm   |      |      |
|------|------|------|------|
|      | Min. | Typ. | Max. |
| A    | 4.4  |      | 4.6  |
| B    | 2.5  |      | 2.7  |
| D    | 2.5  |      | 2.75 |
| E    | 0.45 |      | 0.7  |
| F    | 0.75 |      | 1    |
| F1   | 1.15 |      | 1.70 |
| F2   | 1.15 |      | 1.70 |
| G    | 4.95 |      | 5.2  |
| G1   | 2.4  |      | 2.7  |
| H    | 10   |      | 10.4 |
| L2   |      | 16   |      |
| L3   | 28.6 |      | 30.6 |
| L4   | 9.8  |      | 10.6 |
| L5   | 2.9  |      | 3.6  |
| L6   | 15.9 |      | 16.4 |
| L7   | 9    |      | 9.3  |
| Dia  | 3    |      | 3.2  |

## 5 Revision history

**Table 11. Document revision history**

| Date        | Revision | Changes  |
|-------------|----------|--|
| 19-Jul-2013 | 1        | First release. Part numbers previously included in datasheet DocID8882 |
| 22-Jan-2014 | 2        | – Modified: figure in cover page<br>– Minor text changes               |

**Please Read Carefully:**

Information in this document is provided solely in connection with ST products. STMicroelectronics NV and its subsidiaries ("ST") reserve the right to make changes, corrections, modifications or improvements, to this document, and the products and services described herein at any time, without notice.

All ST products are sold pursuant to ST's terms and conditions of sale.

Purchasers are solely responsible for the choice, selection and use of the ST products and services described herein, and ST assumes no liability whatsoever relating to the choice, selection or use of the ST products and services described herein.

No license, express or implied, by estoppel or otherwise, to any intellectual property rights is granted under this document. If any part of this document refers to any third party products or services it shall not be deemed a license grant by ST for the use of such third party products or services, or any intellectual property contained therein or considered as a warranty covering the use in any manner whatsoever of such third party products or services or any intellectual property contained therein.

**UNLESS OTHERWISE SET FORTH IN ST'S TERMS AND CONDITIONS OF SALE ST DISCLAIMS ANY EXPRESS OR IMPLIED WARRANTY WITH RESPECT TO THE USE AND/OR SALE OF ST PRODUCTS INCLUDING WITHOUT LIMITATION IMPLIED WARRANTIES OF MERCHANTABILITY, FITNESS FOR A PARTICULAR PURPOSE (AND THEIR EQUIVALENTS UNDER THE LAWS OF ANY JURISDICTION), OR INFRINGEMENT OF ANY PATENT, COPYRIGHT OR OTHER INTELLECTUAL PROPERTY RIGHT.**

**ST PRODUCTS ARE NOT DESIGNED OR AUTHORIZED FOR USE IN: (A) SAFETY CRITICAL APPLICATIONS SUCH AS LIFE SUPPORTING, ACTIVE IMPLANTED DEVICES OR SYSTEMS WITH PRODUCT FUNCTIONAL SAFETY REQUIREMENTS; (B) AERONAUTIC APPLICATIONS; (C) AUTOMOTIVE APPLICATIONS OR ENVIRONMENTS, AND/OR (D) AEROSPACE APPLICATIONS OR ENVIRONMENTS. WHERE ST PRODUCTS ARE NOT DESIGNED FOR SUCH USE, THE PURCHASER SHALL USE PRODUCTS AT PURCHASER'S SOLE RISK, EVEN IF ST HAS BEEN INFORMED IN WRITING OF SUCH USAGE, UNLESS A PRODUCT IS EXPRESSLY DESIGNATED BY ST AS BEING INTENDED FOR "AUTOMOTIVE, AUTOMOTIVE SAFETY OR MEDICAL" INDUSTRY DOMAINS ACCORDING TO ST PRODUCT DESIGN SPECIFICATIONS. PRODUCTS FORMALLY ESCC, QML OR JAN QUALIFIED ARE DEEMED SUITABLE FOR USE IN AEROSPACE BY THE CORRESPONDING GOVERNMENTAL AGENCY.**

Resale of ST products with provisions different from the statements and/or technical features set forth in this document shall immediately void any warranty granted by ST for the ST product or service described herein and shall not create or extend in any manner whatsoever, any liability of ST.

ST and the ST logo are trademarks or registered trademarks of ST in various countries.

Information in this document supersedes and replaces all information previously supplied.

The ST logo is a registered trademark of STMicroelectronics. All other names are the property of their respective owners.

© 2014 STMicroelectronics - All rights reserved

STMicroelectronics group of companies

Australia - Belgium - Brazil - Canada - China - Czech Republic - Finland - France - Germany - Hong Kong - India - Israel - Italy - Japan - Malaysia - Malta - Morocco - Philippines - Singapore - Spain - Sweden - Switzerland - United Kingdom - United States of America

[www.st.com](http://www.st.com)